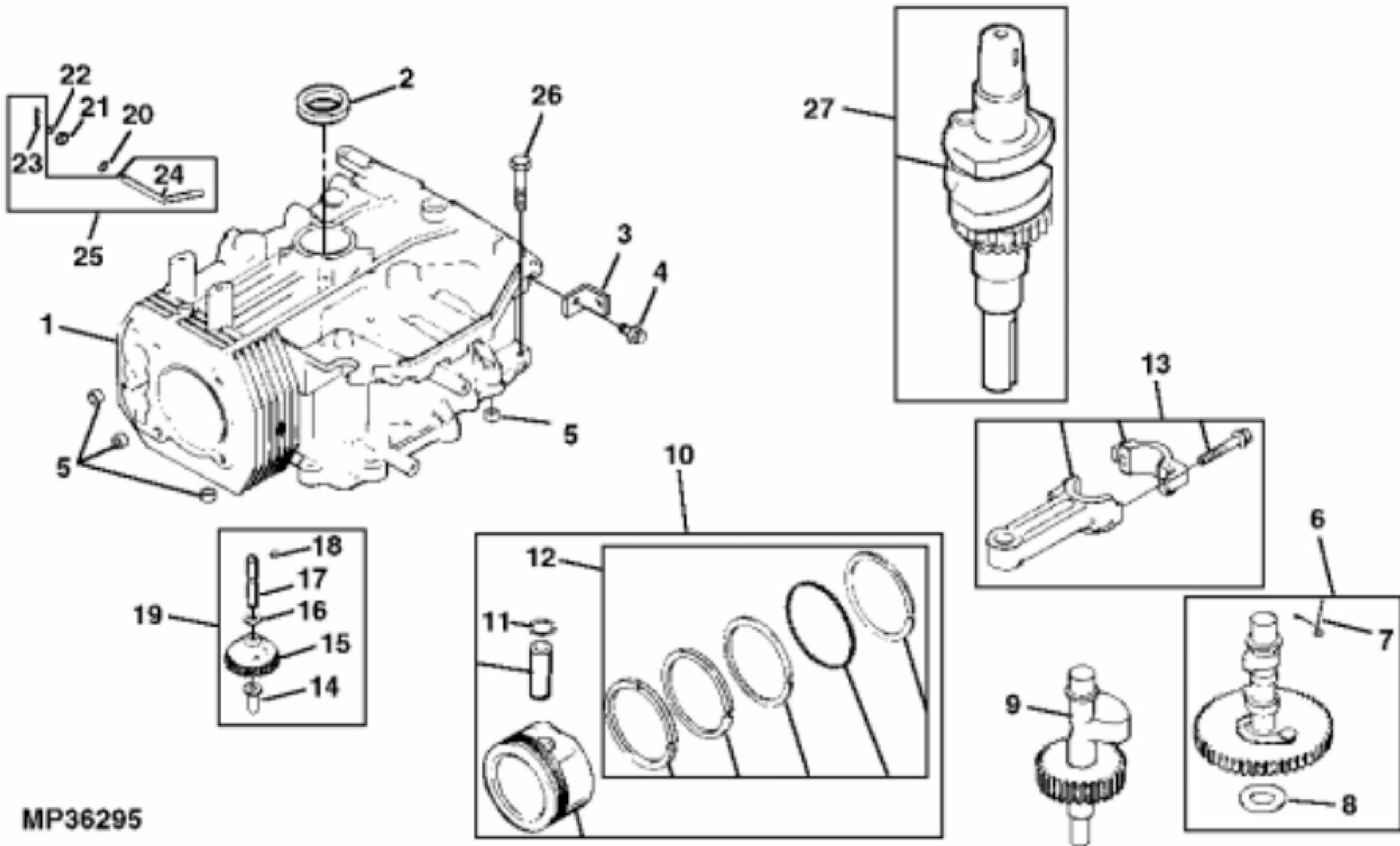


MP25382

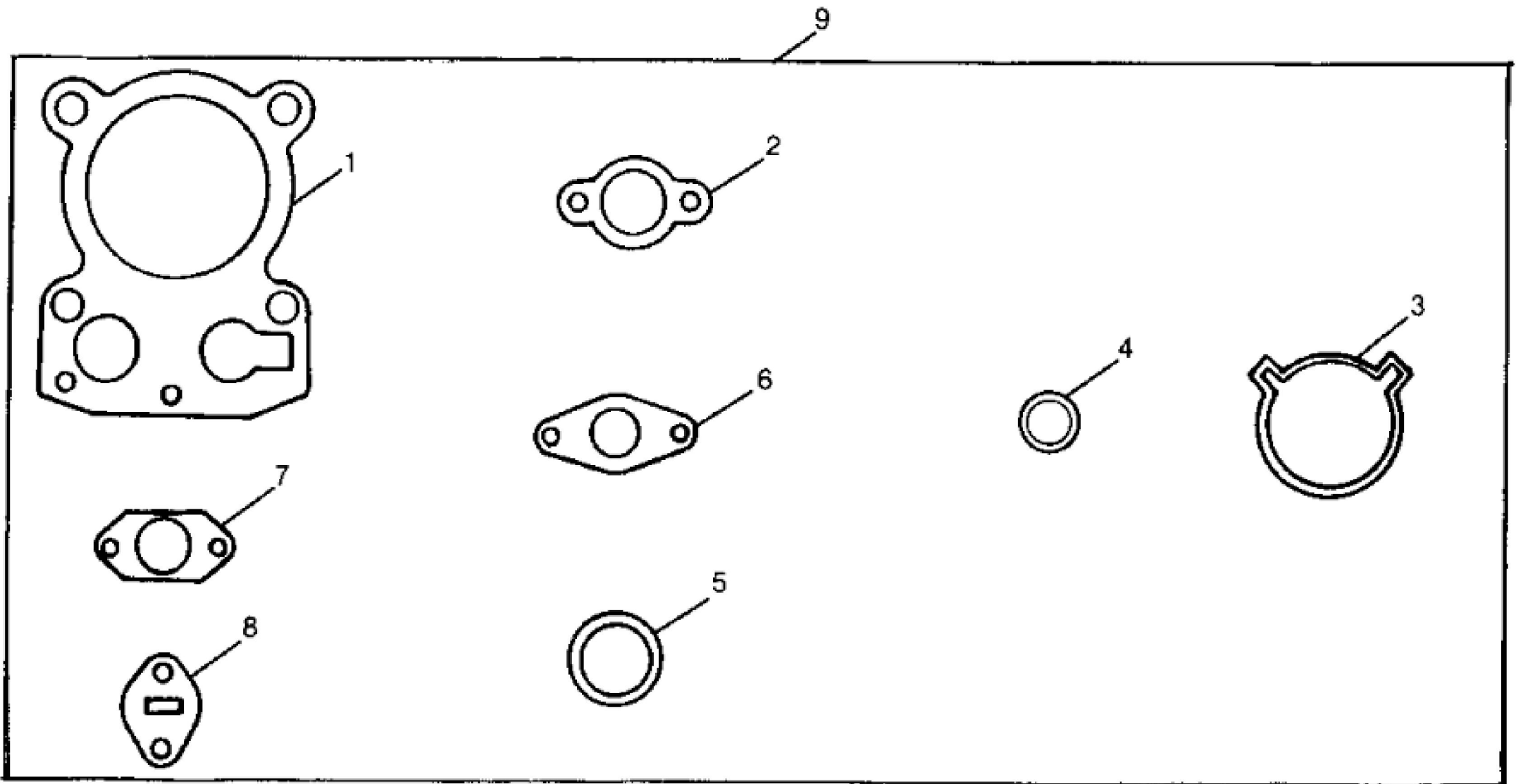
KEY	PART NO.	PART NAME	QTY	REMARKS
1	37M7131	SCREW	5	M6 X 20
2	37M7091	SCREW	1	M6 X 25
3	M124985	STRAP	1	LIFT
4	AM132623	VALVE COVER	1	(SUB FOR M92209)
5	TY22462	CLAMP	2	HOSE, (SUB FOR AR48236)
6	M92212	TUBE	1	BREATHER
7	AM117016	BREATHER KIT	1	BREATHER;ORDER M153533,M92210 And M93483
8	M93483	SCREW	1	
9	M153533	RETAINER	1	
10	M92210	BEAM	1	
11	MIU13278	VALVE LIFTER	2	SUB FOR M137271 or MIU11034 or MIU12989
12	AM132197	HEAD KIT	1	CYLINDER HEAD, (SUB FOR AM131949)
13	M146623	PUSH ROD	2	
14	M124986	ENGINE CYLINDER HEAD GASKET	1	
15	15H558	PIPE PLUG	1	1/8", HEX
16	INTAKE VALVE	1	STD, (ORDER AM117021)
16	M92213	INTAKE VALVE	1	.25 MM (.010") OS
17	EXHAUST VALVE	1	STD, (ORDER AM117033)
17	M92214	EXHAUST VALVE	1	.25 MM (.010") OS
18	AM132197	CYLINDER HEAD	1	(SUB FOR AM131950)
19	M131133	ROCKER ARM	2	
20	M131132	PIVOT	2	
21	19M8290	SCREW	2	M6 X 35
22	M120417	WASHER	1	
23	M120286	SPACER	1	(HEAD BOLT, EXHAUST PORT)
24	M149264	BOLT	5	CYLINDER HEAD
25	M146624	SPRING	2	
26	M92203	CAP	2	
27	AM107043	RETAINER	2	



MP36295

KEY	PART NO.	PART NAME	QTY	REMARKS
1	CYLINDER BLOCK	1	(ORDER AM132146)
2	M92074	SEAL	2	CRANKSHAFT
3	M92069	STRAP	1	
4	19M7867	SCREW	1	M8 X 25
5	MIU11251	DOWEL PIN	4	LOCATING, (SUB FOR M144516)
6	AM123079	CAMSHAFT	1	
7	MIU10690	SPRING	1	ACTUATING, (SUB FOR M133017)
8	M93955	SOLID SHIM	AR	.73 MM (.029"), (WHITE)
8	M97015	SOLID SHIM	AR	.75 MM (.030"), (BLUE)
8	M118585	SHIM	AR	.81 MM (.032"), (RED)
8	M96817	SOLID SHIM	AR	.86 MM (.034"), (YELLOW)
8	M96818	SOLID SHIM	AR	.91 MM (.036"), (GREEN)
8	M96819	SOLID SHIM	AR	.96 MM (.038"), (GRAY)
8	M118584	SHIM	AR	1.02 MM (.040"), (BLACK)
9	M146619	SHAFT	1	
10	AM107033	PISTON REPLACEMENT KIT	1	STD
10	AM107035	PISTON REPLACEMENT KIT	1	.50 MM (.020") OS
11	M92077	RETAINER	2	PISTON PIN
12	AM107036	PISTON RING KIT	1	STD
12	AM107038	PISTON RING KIT	1	.50 MM (.020") OS
13	M146620	CONNECTING ROD	1	STD
13	M146621	CONNECTING ROD	1	.25 MM (.010") US
14	M92083	PIN	1	
15	M92082	GEAR	1	
16	M93418	WASHER	1	
17	M92081	SHAFT	1	
18	M76215	PLUG	1	
19	AM117019	KIT	1	NLA; GOVERNOR GEAR
20	M96520	WASHER	1	
21	M92079	SEAL	1	
22	M93419	WASHER	1	(SUB FOR M146622)
23	M126396	QUICK LOCK PIN	1	
24	SHAFT	1	
25	AM123070	KIT	1	GOVERNOR SHAFT
26	19M7866	SCREW	4	M8 X 20, ENGINE MOUNTING

KEY	PART NO.	PART NAME	QTY	REMARKS	
27	AM131947	CRANKSHAFT	1		
..	AM131688	ENGINE	1	16 HP, (CV460S-26511), (SUB AM132146)	
..	AM132146	SHORT BLOCK ASSEMBLY	1		



MP15618

Thank you so much for reading.
Please click the “Buy Now!”
button below to download the
complete manual.



After you pay.

You can download the most
perfect and complete manual in
the world immediately.

Our support email:

ebooklibonline@outlook.com