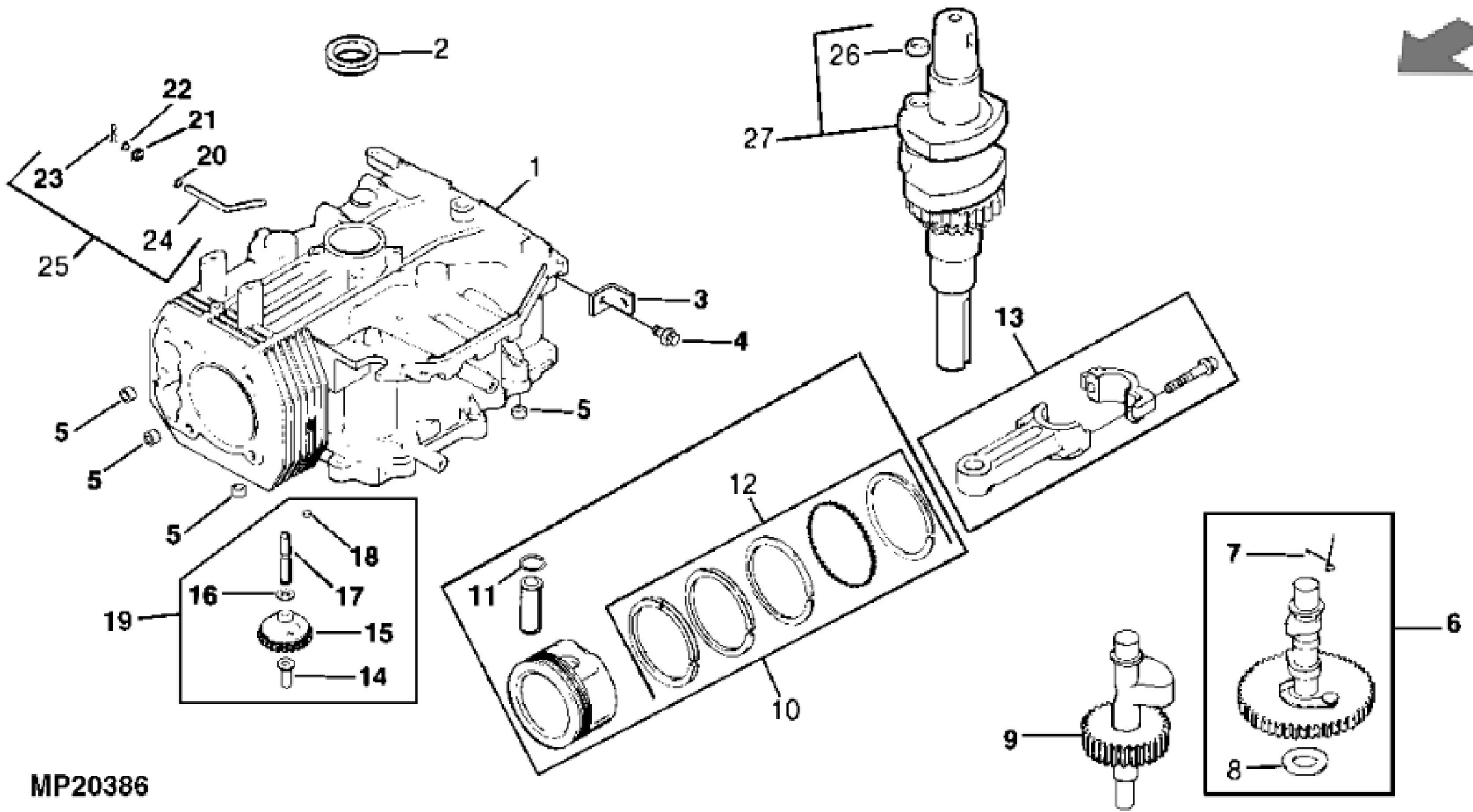


MP25734

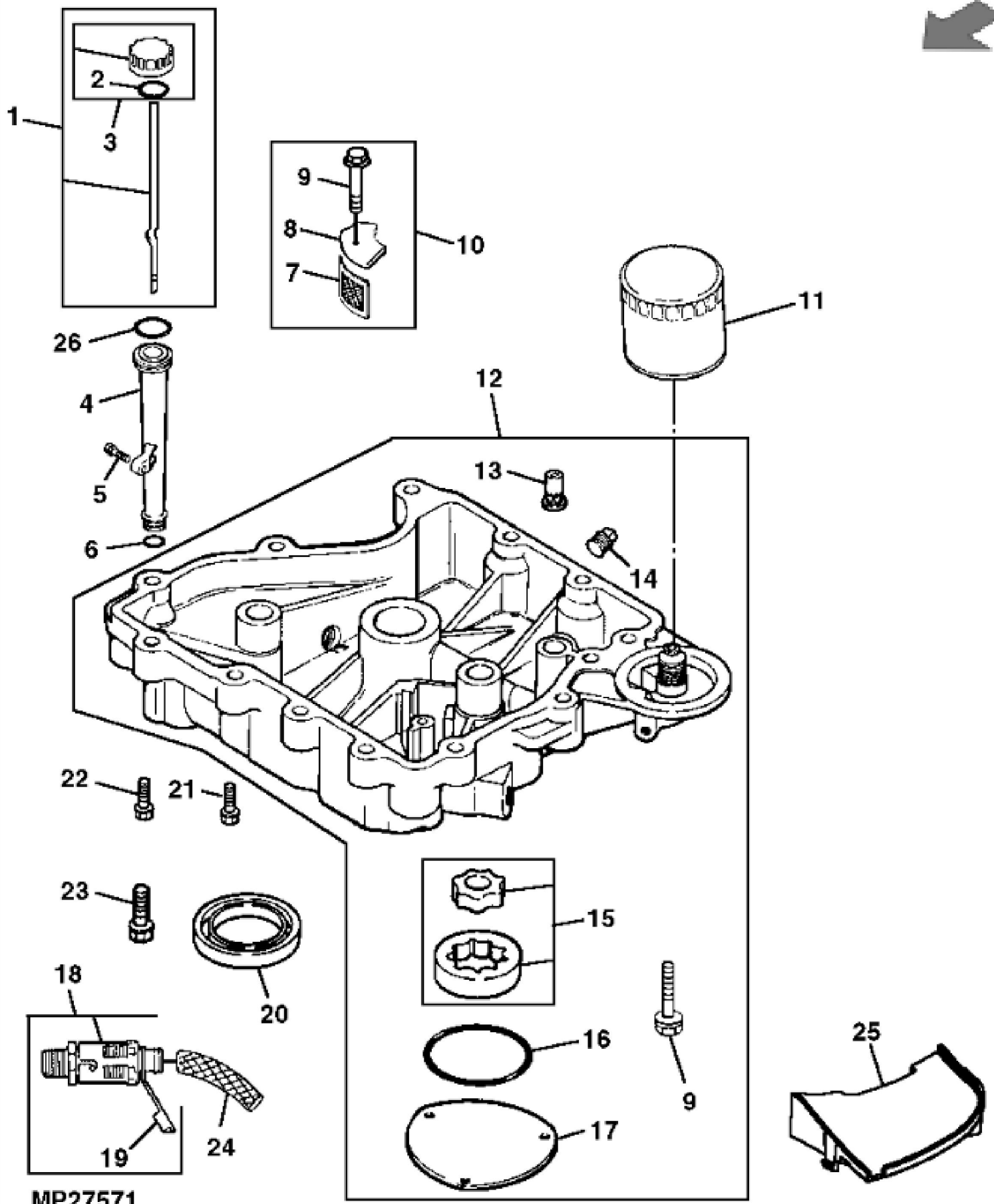
KEY	PART NO.	PART NAME	QTY	REMARKS
1	37M7090	SCREW	5	M6 X 16
2	37M7091	SCREW	1	M6 X 25
3	M147224	STRAP	1	LIFT
4	M149870	COVER	1	(SUB FOR M147216)
5	TY22462	CLAMP	2	HOSE, (SUB FOR AR48236)
6	MIU11457	TUBE	1	BREATHER, (SUB FOR M147215 OR MIU11340)
7	MIU13278	VALVE LIFTER	2	SUB FOR M137271 or MIU11034 or MIU12989
8	M149342	PUSH ROD	2	(SUB FOR M149342)
9	M124986	ENGINE CYLINDER HEAD GASKET	1	
10	15H558	PIPE PLUG	1	1/8", HEX
11	.....	INTAKE VALVE	1	(B), STD
11	M92213	INTAKE VALVE	1	.25 MM (.010") OS
12	.....	EXHAUST VALVE	1	(B), STD
12	M92214	EXHAUST VALVE	1	.25 MM (.010") OS
13	.....	CYLINDER HEAD	1	
14	M120417	WASHER	1	
15	M120286	SPACER	1	(HEAD BOLT, EXHAUST PORT)
16	M149264	BOLT	5	CYLINDER HEAD, (SUB FOR M92367)
17	M146624	SPRING	2	
18	M92203	CAP	2	(A), (B)
19	AM107043	RETAINER	2	(A), (B)
20	M43123	RETAINER	1	(B)
21	19M8290	SCREW	2	M6 X 35
22	M131132	PIVOT	2	
23	M131133	ROCKER ARM	2	
24	AM125352	HEAD KIT	1	CYLINDER HEAD (INCLUDES GASKETS)
25	AM117016	BREATHER KIT	1	ORDER M153533,M92210 And M93483
26	M93483	SCREW	1	
27	M153533	RETAINER	1	
28	M92210	BEAM	1	
29	AM119712	INTAKE VALVE	1	ORDER AM107043 , M146624 , M92200 AND M92203
30	AM119711	VALVE KIT	1	EXHAUST VALVE (INCLUDES PARTS MARKED (B));Not Illustrated



MP20386

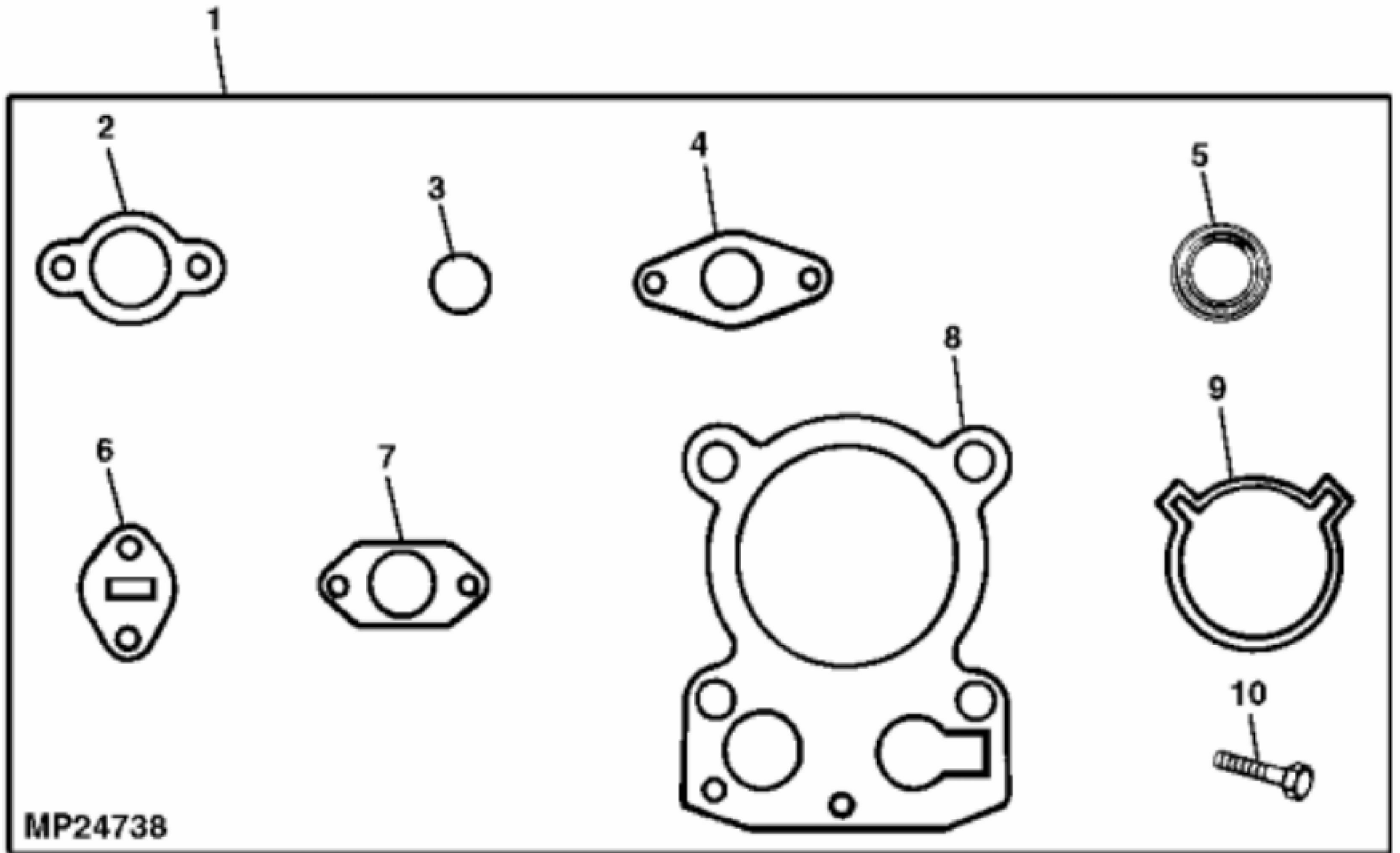
KEY	PART NO.	PART NAME	QTY	REMARKS
1	.....	CYLINDER BLOCK	1	(ORDER AM125360)
2	M92074	SEAL	2	CRANKSHAFT
3	M92069	STRAP	1	
4	19M7867	SCREW	1	M8 X 25
5	MIU11251	DOWEL PIN	4	LOCATING, (SUB FOR M144516)
6	AM123079	CAMSHAFT	1	
7	MIU10690	SPRING	1	ACTUATING, (SUB FOR M133017)
8	M93955	SOLID SHIM	AR	.73 MM (.029"), (WHITE)
8	M97015	SOLID SHIM	AR	.75 MM (.030"), (BLUE)
8	M118585	SHIM	AR	.81 MM (.032"), (RED)
8	M96817	SOLID SHIM	AR	.86 MM (.034"), (YELLOW)
8	M96818	SOLID SHIM	AR	.91 MM (.036"), (GREEN)
8	M96819	SOLID SHIM	AR	.96 MM (.038"), (GRAY)
8	M118584	SHIM	AR	1.02 MM (.040"), (BLACK)
9	M126874	BALANCER SHAFT	1	
10	AM122461	PISTON REPLACEMENT KIT	1	STD
10	AM122463	PISTON REPLACEMENT KIT	1	.50 MM (.020") OS
11	M92077	RETAINER	2	PISTON PIN
12	AM122468	PISTON RING KIT	1	STD
12	AM122470	PISTON RING KIT	1	.50 MM (.020") OS
13	M92075	CONNECTING ROD	1	STD
13	M92076	CONNECTING ROD	1	.25 MM (.010") US
14	.....	PIN	1	
15	.....	GEAR	1	
16	.....	WASHER	1	
17	.....	SHAFT	1	
18	.....	PLUG	1	
19	AM117019	KIT	1	GEAR; NLA
20	M96520	WASHER	1	
21	M92079	SEAL	1	
22	M93419	WASHER	1	
23	M126396	QUICK LOCK PIN	1	
24	.....	SHAFT	1	
25	AM123070	KIT	1	GOVERNOR SHAFT
26	M147170	PLUG	1	

KEY	PART NO.	PART NAME	QTY	REMARKS	
27	AM128237	CRANKSHAFT	1		
..	AM131620	ENGINE	1	(MARKED CV15S-41611),(SUB AM125360)	
..	AM125360	SHORT BLOCK ASSEMBLY	1	(ENGINE MARKED CV15S-41611)	



MP27571

KEY	PART NO.	PART NAME	QTY	Serial No.	REMARKS
1	AM107041	DIPSTICK	1		
2	M148124	O-RING	1		(SUB FOR M92195)
3	AM125351	CAP KIT	1	____-XXXXXX	OIL CAP, (INCLUDES M92195)
3	AM124450	CAP KIT	1	XXXXXX-____	OIL CAP, (INCLUDES M148124)
4	MIU11957	TUBE	1		(SUB FOR M92192)
5	37M7091	SCREW	1		M6 X 25
6	M92193	O-RING	1		
7	M124981	SCREEN	1		NLA
8	.....	COVER	1		
9	MIU14033	SCREW	3		(A)
10	AM117022	KIT	1		(INCLUDES M131280), (NLA) OIL PICK-UP
11	AM125424	OIL FILTER	1		
12	AM124451	OIL PAN	1		
12	AM132234	OIL PAN	1		(INCLUDES PARTS MARKED (A))
13	M131280	CHECK VALVE	1		(A)
14	15H604	PIPE PLUG	1		1/4"
14	R30298	PIPE PLUG	2		
15	AM107040	PUMP	1		(A), OIL
16	M131281	O-RING	1		(A), OIL PUMP COVER
17	M131282	COVER	1		(A)
18	AM119686	DRAIN VALVE	1		
19	M120777	CAP	1		
20	M92074	SEAL	1		
21	M131238	SCREW	11		ORDER 19M8318
22	M131239	SCREW	1		ORDER 19M8318
22	19M8318	SCREW	12		M8 X 45
23	19M7867	SCREW	4		M8 X 25, (ENGINE MOUNT BOLTS)
24	.....	BULK HOSE	1		(MAKE FROM TY22562) (SUB FOR TY22327)
25	M147171	EXTENSION	1		
26	M92194	O-RING	1		



MP24738

Thank you so much for reading.  
Please click the “Buy Now!”  
button below to download the  
complete manual.



After you pay.

You can download the most  
perfect and complete manual in  
the world immediately.

Our support email:

[ebooklibonline@outlook.com](mailto:ebooklibonline@outlook.com)