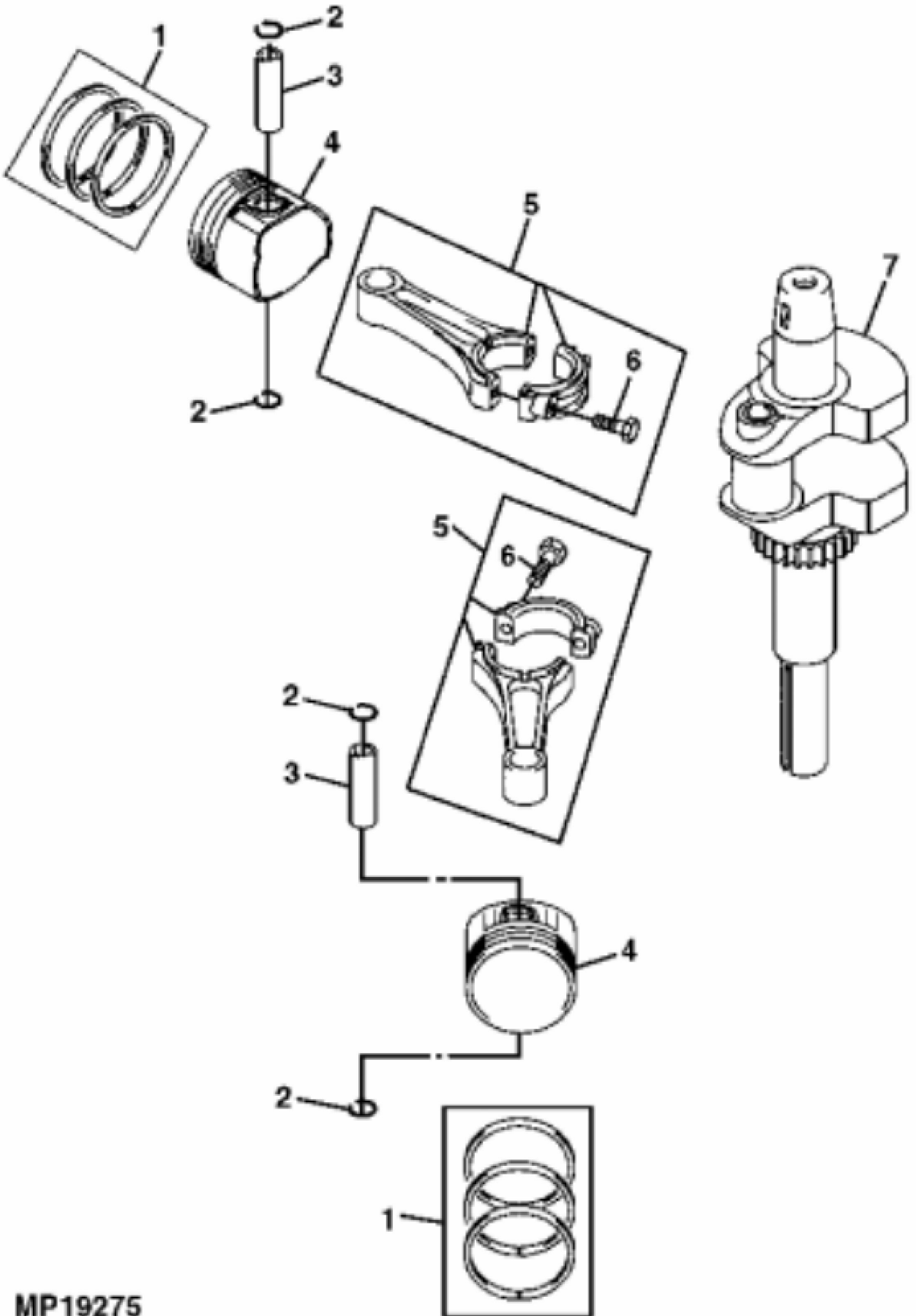


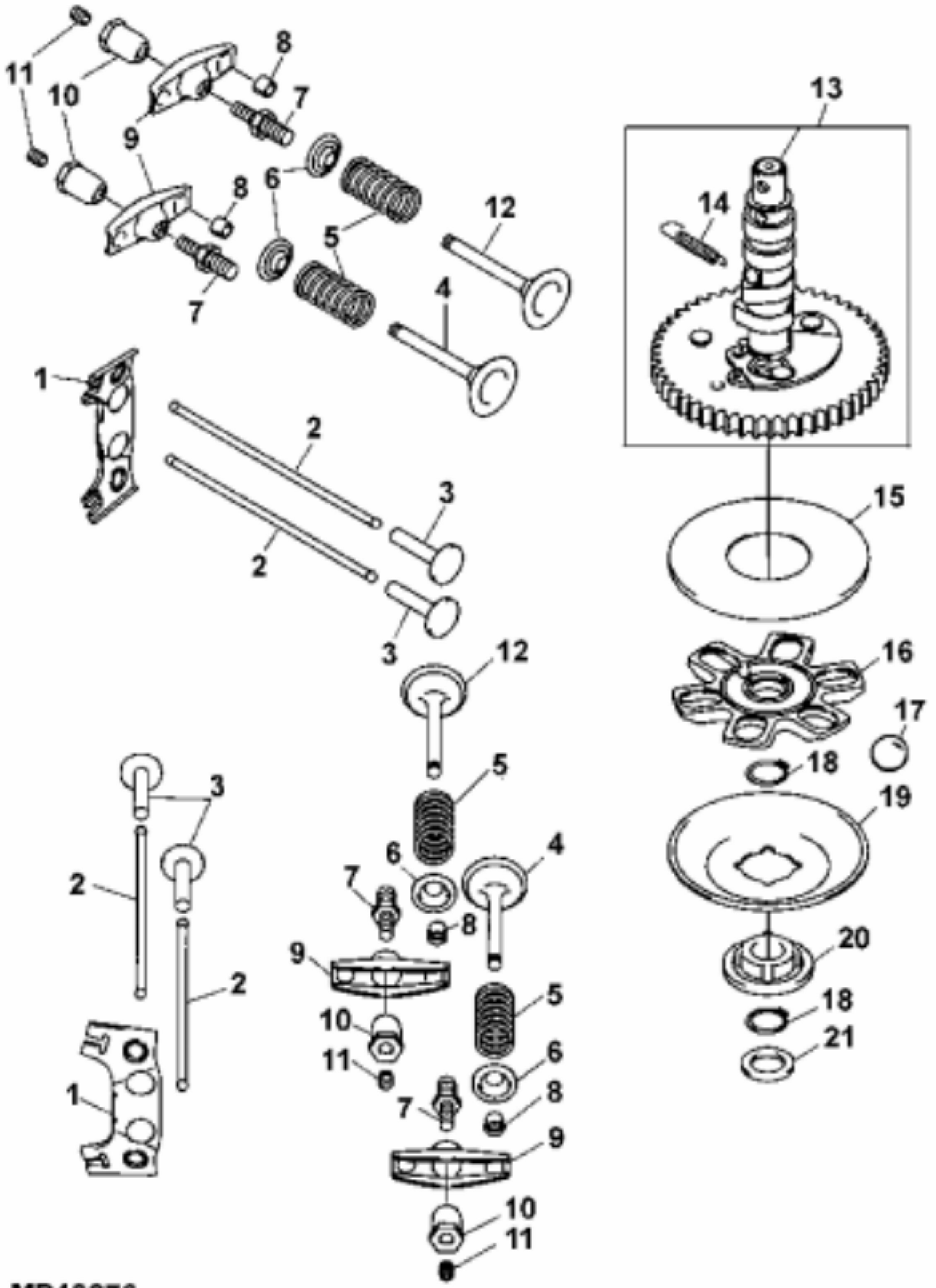
KEY	PART NO.	PART NAME	QTY	REMARKS
1	AM128737	CRANKCASE	1	(FH601V-BS04) (NLA) ORDER MIA10991
1	AM132504	CRANKCASE	1	(FH601V-CS04, BS15)
2	21M7244	SCREW	1	M4 X 8, Breather
3	M140222	GASKET	1	USE WITH AM132505, MIA10990, MIA10964, AM134131, AM134464, AM135292 AND AM133940; Breather
3	MIU11731	GASKET	1	(A); USE WITH MIA11393
4	M140224	COVER	1	USE WITH AM132505, MIA10990, MIA10964, AM134131, AM134464, AM135292 AND AM133940; Breather
4	MIU11732	COVER	1	(A); USE WITH MIA11393
5	19M7774	SCREW	4	M6 X 12, USE WITH M140222 AND M140224
5	19M7775	SCREW	4	M6 X 16, (A); USE WITH MIA11393
6	M149281	SEAL	1	(SUB FOR M138390)
6	M150948	SEAL	1	(USE WITH MIA10990)
7	MIU11322	BOLT	2	SUB FOR M138394
8	M138389	SEAL	4	(SUB FOR M149280)
9	19M8477	CAP SCREW	4	M6 X 40
10	M140218	CASE	2	ROCKER
11	M140221	GASKET	2	ROCKER CASE
12	MIU11326	BOLT	18	(SUB FOR M138393)
13	MIA10402	CYLINDER HEAD	1	NO.1, (SUB FOR AM128731 OR AM132473)
14	M138388	PIN	6	
15	M147908	ENGINE CYLINDER HEAD GASKET	2	(SUB FOR M140217)
16	M138395	STUD	4	NLA; ORDER MIU11736
16	MIU11736	BOLT	4	NLA; ORDER MIU12726
16	MIU12726	STUD	4	
17	M140220	GASKET	1	CRANKCASE COVER
18	AM135296	CYLINDER HEAD	1	NO.2, (SUB FOR AM128732 OR AM132396)
19	14M7298	FLANGE NUT	4	M8
20	M140231	SNAP RING	2	
21	M149282	SEAL	1	(SUB FOR M138391)
22	M138392	SEAL	1	NLA; ORDER M151774
22	M151774	SEAL	1	
23	M150449	COVER	1	CRANKCASE, (SUB FOR M140230)
23	MIU11292	COVER	1	(USE WITH MIA10990)

KEY	PART NO.	PART NAME	QTY	REMARKS	
24	M140223	PLATE	1		
25	M140229	VALVE	1		
26	19M8008	CAP SCREW	3	M8 X 35	
27	19M7378	CAP SCREW	1	M8 X 45	
28	M141350	FILTER ELEMENT	1	ORDER MIA11393	
..	AM131508	GASOLINE ENGINE	1	(FH601V-BS04) (NLA) (ORDER INDIVIDUAL COMPONENTS)	
..	AM132022	GASOLINE ENGINE	1	(FH601V-CS04) (NLA), (ORDER MIA11986)	
..	AM132395	GASOLINE ENGINE	1	(FH601V-BS15) (NLA), (SUB AM135292) (ORDER MIA10964)	
..	AM130594	SHORT BLOCK ASSEMBLY	1	(FH601V-BS04) (NLA), (ORDER AM132505)	
..	AM132505	SHORT BLOCK ASSEMBLY	1	(FH601V-CS04) (NLA) (SUB COMPONENTS)	
..	MIA10990	SHORT BLOCK ASSEMBLY	1	(SUB FOR MIA10991 OR AM132506)	
..	MIA11393	COVER KIT	1	INCLUDES PARTS MARKED (A)	
..	MIA11986	SHORT BLOCK ASSEMBLY	1		



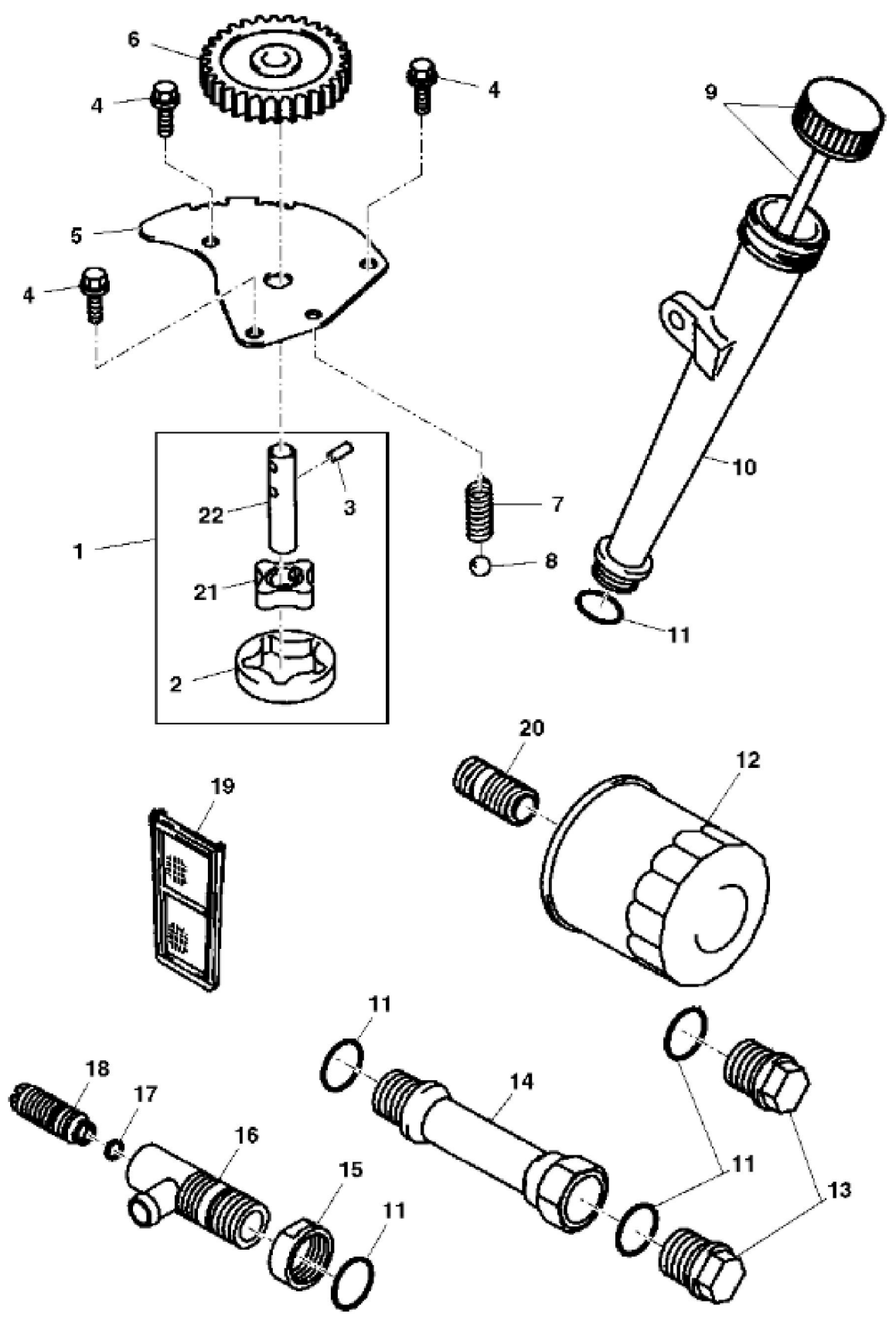
MP19275

KEY	PART NO.	PART NAME	QTY	REMARKS	
1	AM128738	PISTON RING KIT	2	STD	
1	AM132069	PISTON RING KIT	2	.50 MM (.020"), OS, (FH601V-CS04, BS15)	
2	M138398	SNAP RING	4	(SUB FOR M140233)	
3	M138397	PISTON PIN	2		
4	M143319	PISTON	2	STD	
4	M146875	PISTON	2	.50 MM (.020"), OS, (FH601V-CS04, BS15)	
5	AM128740	CONNECTING ROD	2	(FH601V-BS04)	
5	MIA10804	CONNECTING ROD	2	(FH601V-CS04, BS15), (SUB FOR AM132025)	
6	M147310	BOLT	2	MARKED FH601V-BS04; SUB FOR PT12040	
6	M146763	BOLT	2	(FH601V-CS04, BS15)	
7	AM132139	CRANKSHAFT	1	NLA; (FH601V-BS04), (SUB FOR AM128739)	
7	AM132431	CRANKSHAFT	1	(FH601V-CS04), (SUB FOR AM132024)	
7	AM132429	CRANKSHAFT	1	(FH601V-BS15)	
7	AM133965	CRANKSHAFT	1	(USE WITH MIA10990)	



MP19276

KEY	PART NO.	PART NAME	QTY	REMARKS
1	M146877	GUIDE	2	PUSH ROD, (SUB FOR M140237)
2	M146879	PUSH ROD	4	(FH601V-BS04, CS04), (SUB FOR M140239)
2	M146879	PUSH ROD	2	(FH601V-BS15)
3	M138403	TAPPET	4	
4	M147596	EXHAUST VALVE	2	(SUB FOR M140235)
5	M140241	SPRING	4	
6	M138401	RETAINER	4	
7	M146881	BOLT	4	(SUB FOR M138414)
8	M118845	RETAINER	4	(2 HALVES EACH)
9	M146876	ROCKER ARM	4	(SUB FOR M141351)
10	M92891	NUT	4	
11	M138410	SCREW	4	
12	M140234	INTAKE VALVE	2	
13	AM130638	CAMSHAFT	1	(SUB MIA10793) (ALSO ORDER M146882 AND MIU11231)
14	M138413	EXTENSION SPRING	1	
15	M140240	PLATE	1	
16	M140238	GUIDE	1	
17	M138412	BALL	6	(SUB MIU10971)
18	M138411	SNAP RING	2	NLA; ORDER MIU14000
18	MIU14000	SNAP RING	2	
19	M146880	PLATE	1	(SUB FOR M138406)
20	MIU10708	SLEEVE	1	NLA;ORDER MIU13044; SUB FOR M138408 OR M149875
20	MIU13044	SLEEVE	1	
21	M138415	WASHER	1	



Thank you so much for reading.
Please click the “Buy Now!”
button below to download the
complete manual.



After you pay.

You can download the most
perfect and complete manual in
the world immediately.

Our support email:

ebooklibonline@outlook.com