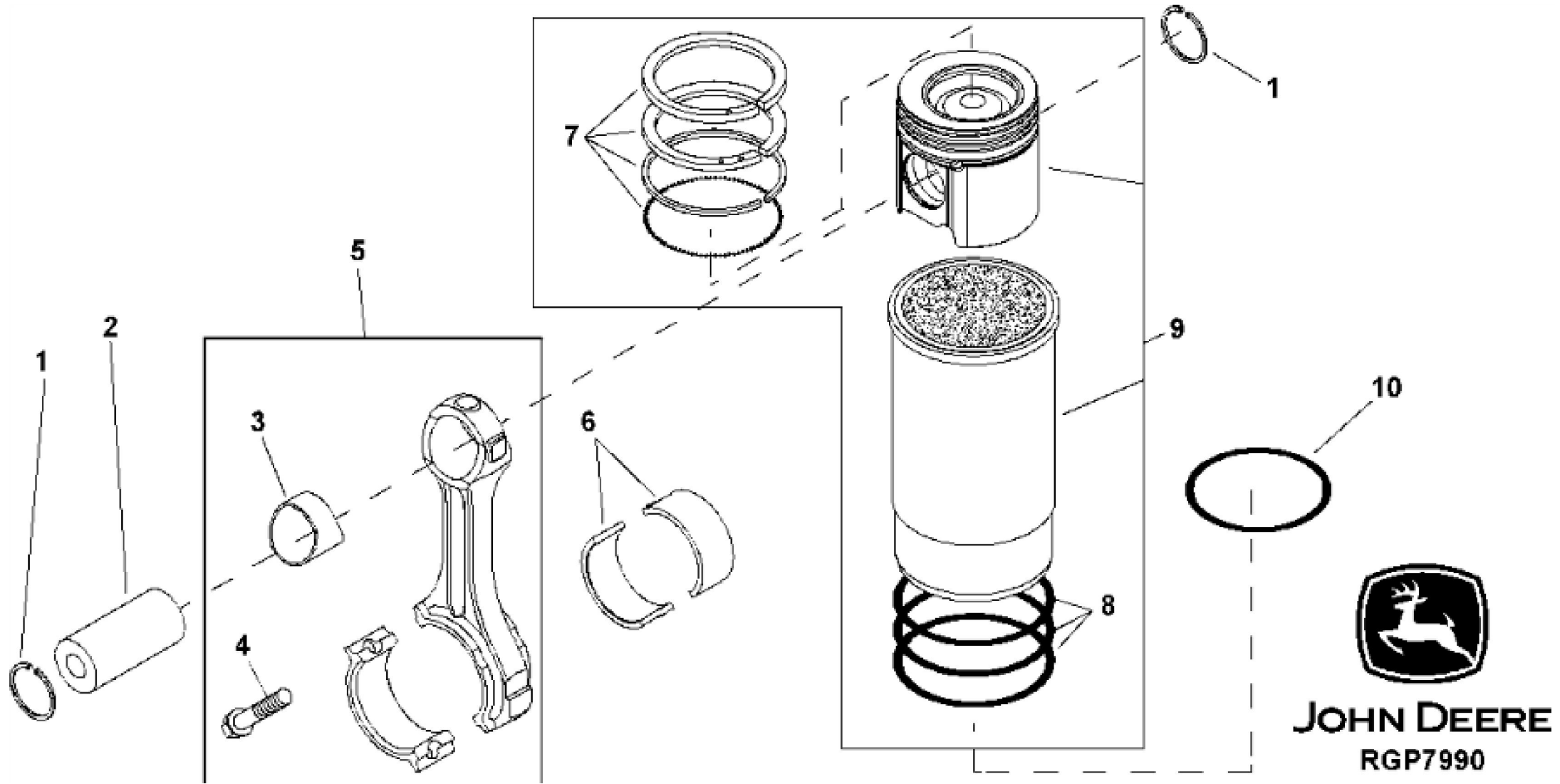


RG29567RGP01

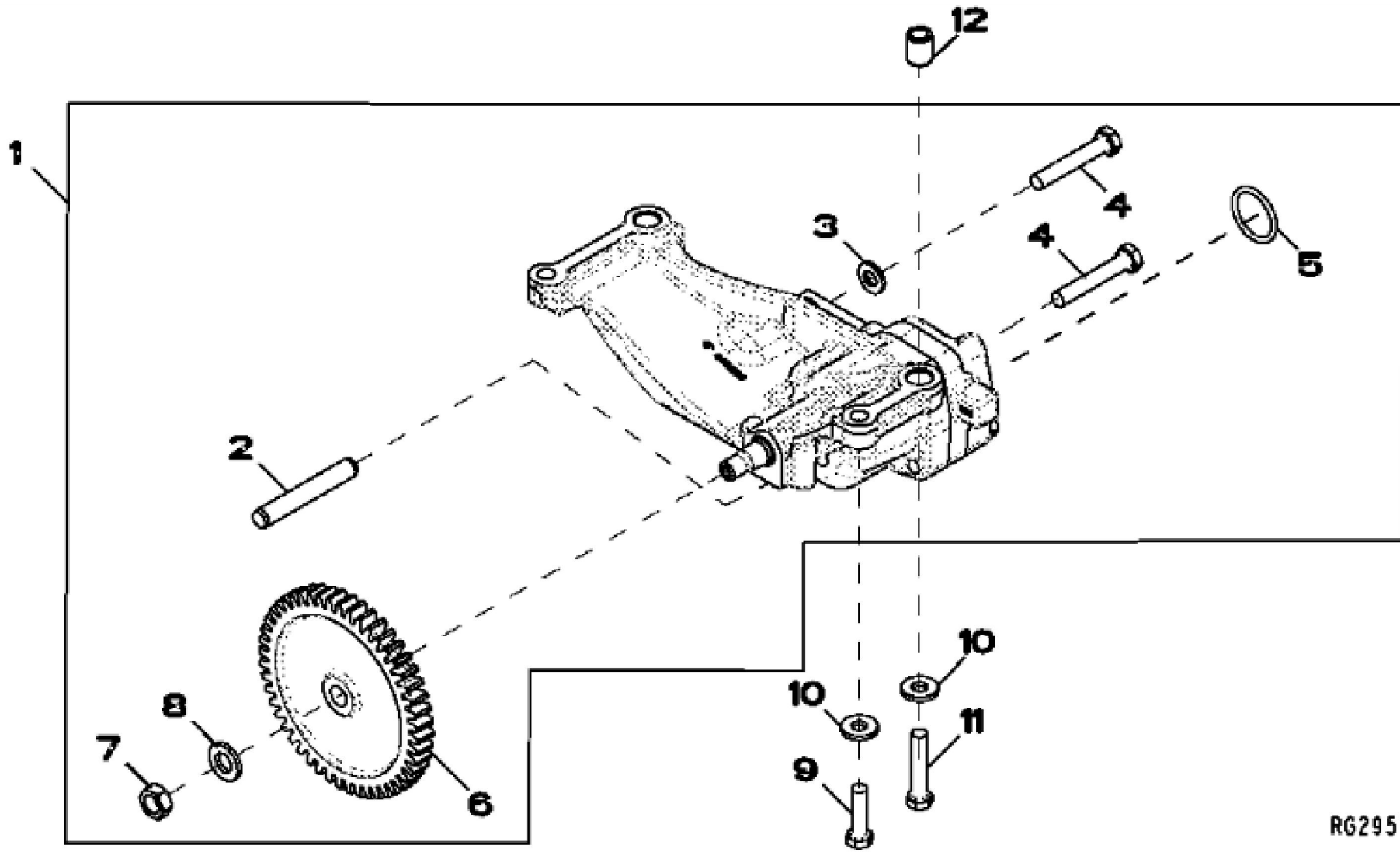
ROCKER ARM COVER

KEY	PART NO.	PART NAME	QTY	REMARKS
1	19H2151	CAP SCREW	2	1/4" X 3"
2	24H1286	WASHER	2	9/32" X 1/2" X 1/16"
3	19H1914	CAP SCREW	6	1/4" X 1"
4	24H1286	WASHER	6	9/32" X 1/2" X 1/16"
5	R120467	ELBOW FITTING	1	(CONTAINS R72328)
6	R504093	SEAL	4	
7	R502598	SEAL	1	
8	RE505095	VALVE COVER	1	
9	19H2334	CAP SCREW	6	1/4" X 2-1/2"
10	24H1286	WASHER	6	9/32" X 1/2" X 1/16"
11	R502695	HOUSING	1	
12	RE509048	WIRING HARNESS	1	
13	24H1287	WASHER	2	9/32" X 5/8" X 0.065"
14	19H2036	CAP SCREW	2	1/4" X 7/8"
15	R502719	SEAL	1	
16	RE509265	HOUSING	1	
17	37H26	SCREW	5	0.116" X 1/4"
18	T20294	CAP	1	
19	R72328	O-RING	1	
20	T20328	GASKET	1	
21	R134920	NUT	12	
22	TY22450	BULK HOSE	1	
23	AR21839	CLAMP	1	
24	R520373	SEAL	1	



PISTON/CONNECTING ROD/CYLINDER LINER

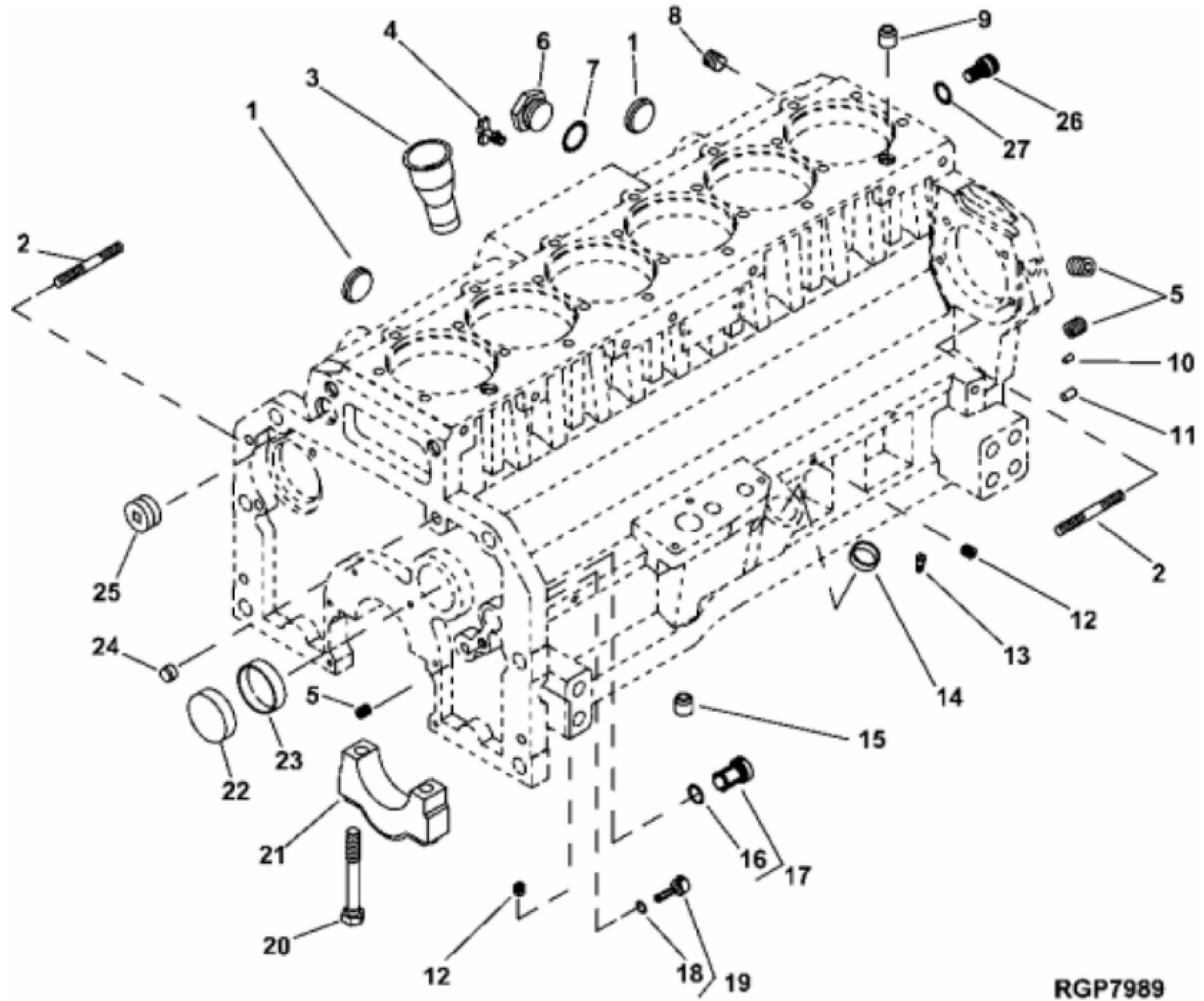
KEY	PART NO.	PART NAME	QTY	REMARKS	
1	E1343FN	SNAP RING	12		
2	R57771	PISTON PIN	6		
3	R74008	BUSHING	6		
4	R542878	CAP SCREW	2	SUB FOR R501035	
5	RE522977	CONNECTING ROD	6	(MARKED R519583)	
5	SE501230	CONNECTING ROD REMAN	6	(MARKED R519583) (REMAN FOR RE522977)	
6	R116081	BEARING	12	STD PKG (2)	
6	RE57167	BEARING	AR	(CONTAINS (2) R121338)	
7	RE503528	PISTON RING	6		
8	AR98850	O-RING KIT	6		
9	RE64509	PISTON-LINER KIT	6	(HIGH COMPRESSION) (MARKED RE70688)	
10	R93948	SHIM	2	0.05MM (.002") (MAX.)	



RG29575PCDB03

KEY	PART NO.	PART NAME	QTY	REMARKS
1	RE519513	OIL PUMP	1	(MARKED R518347) (SUB RE533975)
1	SE501270	OIL PUMP REMAN	1	(Gear Not Included) (MARKED R518347) (REMAN FOR RE519513)
1	RE507076	OIL PUMP	1	(MARKED R504028)
1	SE500877	OIL PUMP REMAN	1	(Gear Not Included) (MARKED R504028) (REMAN FOR RE507076)
2	R62943	QUICK LOCK PIN	1	
3	24M7239	WASHER	2	10.700 X 21 X 2.500 mm
4	19M9399	CAP SCREW	3	M10 X 60, (USE WITH RE519513, RE533975 OR SE501270)
4	R104628	SCREW	3	(USE WITH RE507076 OR SE500877)
5	R71732	O-RING	1	
6	R529397	GEAR	1	SUB FOR R526290
7	14H826	NUT	1	1/2"
8	T21242	WASHER	1	
9	19H3219	CAP SCREW	2	3/8" X 1-3/8"
10	R57696	WASHER	4	
11	19H3759	CAP SCREW	2	3/8" X 1-7/8"
12	R500642	BUSHING	2	

CYLINDER BLOCK FITTINGS



RGP7989

Thank you so much for reading.
Please click the “Buy Now!”
button below to download the
complete manual.



After you pay.

You can download the most
perfect and complete manual in
the world immediately.

Our support email:

ebooklibonline@outlook.com