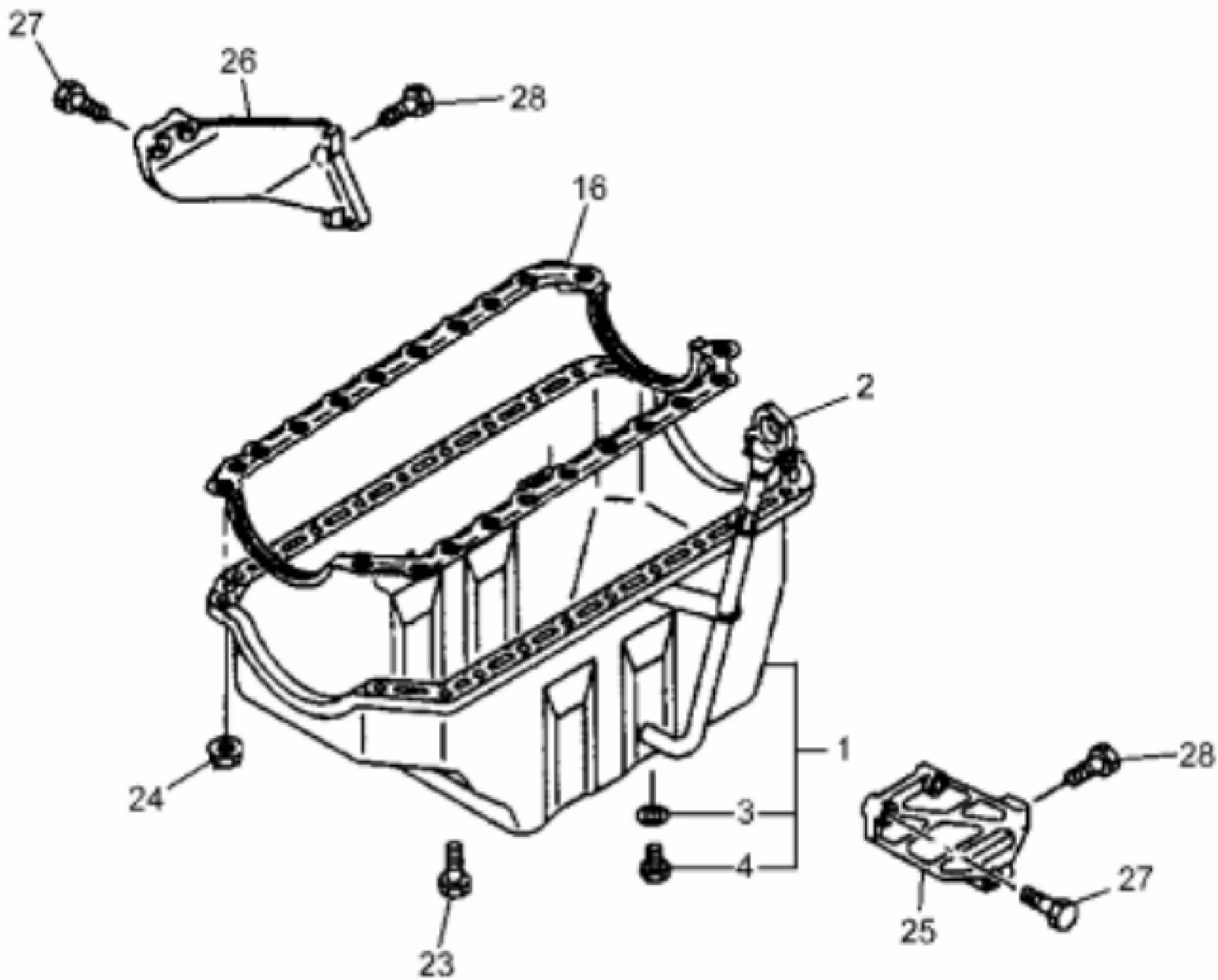


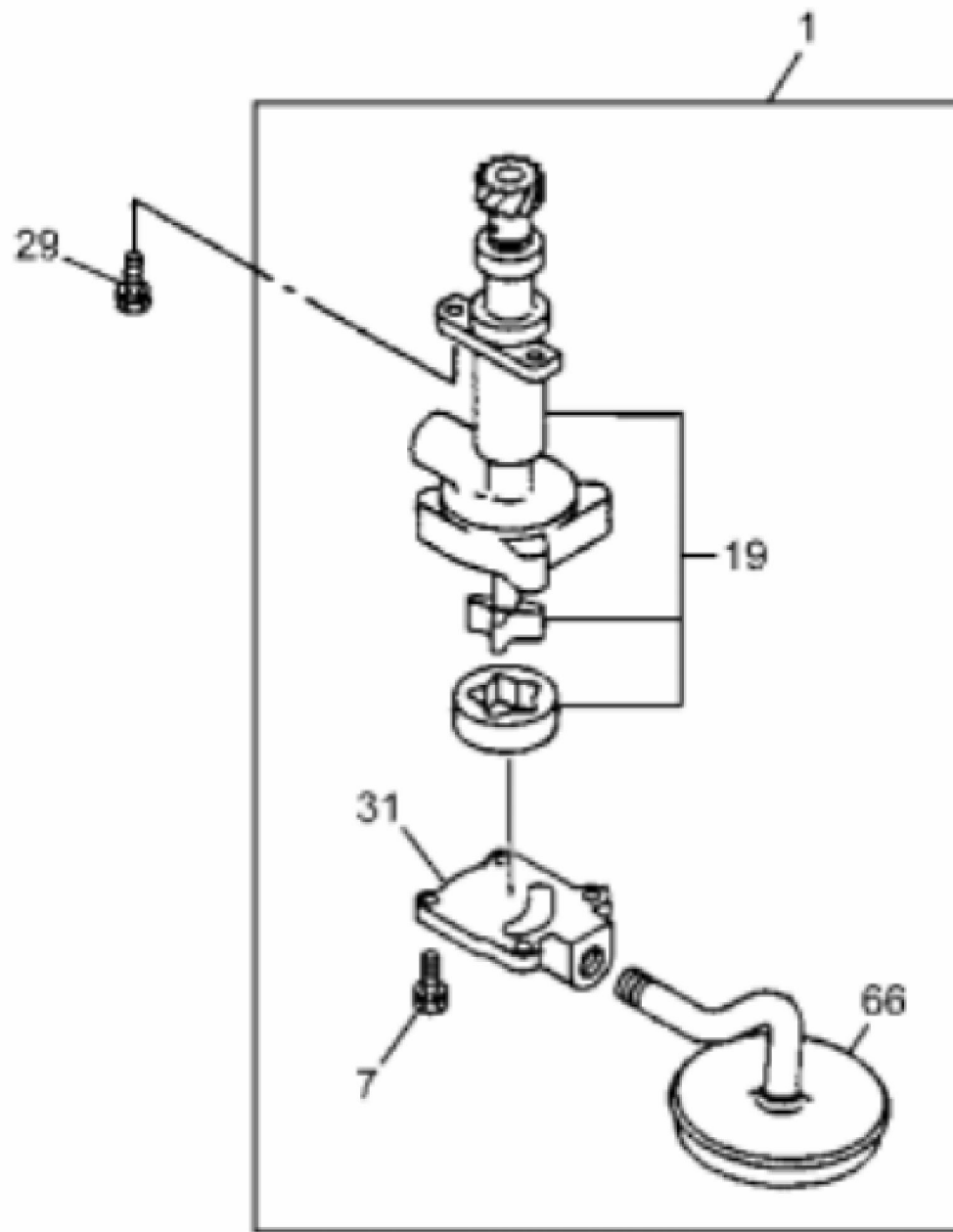
KEY	PART NO.	PART NAME	QTY	REMARKS
1	8970951672	CYLINDER BLOCK	1	
2	5878146171	PISTON-LINER KIT	4	(SUB FOR 5878140670)GRADE = 1, SUB FOR 5878146170 AND 5878140670
2	5878146181	PISTON-LINER KIT	4	(SUB FOR 5878140680)GRADE = 2, SUB FOR 5878140680 AND 5878146180
2	5878146191	PISTON-LINER KIT	4	(SUB FOR 5878140690)GRADE = 3, SUB FOR 5878140690 AND 5878146190
2	5878146200	CYLINDER LINER	4	GRADE = 4, SUB FOR 5878140700
4	CYLINDER LINER	4	OD GRADE = 1, ID GRADE = AX INCLUDED IN LINER KIT (8971766990 NLA), 8971766990 NLA
4	CYLINDER LINER	4	OD GRADE = 1, ID GRADE = CX (INCLUDED IN LINER KIT) (8971767000 NLA), 8971767000 NLA
4	CYLINDER LINER	4	OD GRADE = 2, ID GRADE = AX (INCLUDED IN LINER KIT) (8971767010 NLA), 8971767010 NLA
4	CYLINDER LINER	4	OD GRADE = 2, ID GRADE = CX (INCLUDED IN LINER KIT) (8971767020 NLA), 8971767020 NLA
4	CYLINDER LINER	4	OD GRADE = 3, ID GRADE = AX (INCLUDED IN LINER KIT) (8971767030 NLA), 8971767030 NLA
4	CYLINDER LINER	4	OD GRADE = 3, ID GRADE = CX (INCLUDED IN LINER KIT) (8971767040 NLA), 8971767040 NLA
4	CYLINDER LINER	4	OD GRADE = 4, ID GRADE = AX (INCLUDED IN LINER KIT) (8971767050 NLA), 8971767050 NLA
4	CYLINDER LINER	4	OD GRADE = 4, ID GRADE = CX (INCLUDED IN LINER KIT) (8971767060 NLA), 8971767060 NLA
7	9096640010	FITTING PLUG	1	(SUB FOR AT255028)PT 1/4, SUB FOR AT255028
8	8944326420	BOLT	10	M14X89 FLANGE
13	8944533440	PIN FASTENER	2	
15	5096050192	PIPE PLUG	3	(SUB FOR AT254812)PT 1/8, SUB FOR AT254812
16	5112190170	SEAL	1	OD = 38
17	5112190180	BEARING CUP	1	OD = 36
18	1096000581	PLUG	3	(SUB FOR AT254808 OR 1096000580)OD = 45, SUB FOR AT254808 OR 1096000580
19	AT263794	PLUG	3	OD = 18

KEY	PART NO.	PART NAME	QTY	REMARKS
20	1096000122	PLUG	2	(SUB FOR AT254809 OR 1096000121)OD = 32, SUB FOR AT254809 OR 1096000121
21	5112190180	BEARING CUP	3	OD = 36
22	5096000130	SEAL	1	(SUB FOR AT254823)OD = 12.3, SUB FOR AT254823
24	8973781480	BEARING KIT	1	(SUB FOR 8944272062)FRONT, SUB FOR 8944272062
25	8973781470	BEARING KIT	2	(SUB FOR 8944272012)CENTER, SUB FOR 8944272012
40	5111290060	SEAL	2	(SUB FOR AT254831)OD = 16, SUB FOR AT254831
41	8942505141	PIPE PLUG	1	(SUB FOR 8942505140)OD = 56, SUB FOR 8942505140
45	1824100330	PRESSURE SENSOR	1	SUB FOR AT254817
50	9081610320	PIN FASTENER	1	OD = 10, L = 32
53	9096065350	BOLT	1	
54	8972539990	STUD	4	
63	8944567943	STRUCTURAL TUBE	1	SUB FOR 8944567942
69	9095714160	GASKET	1	ID = 16.2, OD = 24.0
70	30H7	PLUG	1	5/8", (SUB FOR 5111290030)OD = 15.6, SUB FOR 5111290030
71	8941300211	THREADED NIPPLE	1	
72	AT264169	PLUG	1	M16X12
73	9095714140	GASKET	1	(SUB FOR AT255025)ID = 14.2, OD = 20.0, SUB FOR AT255025
74	8944254500	ELECTRICAL CONNECTOR ASSY	1	
75	0911115100	NUT	1	SUB FOR 9091115100
76	9081510220	PIN FASTENER	1	OD = 10, L = 20 (9081510200 NLA), 9081510200 NLA
77	1099853450	WASHER	1	



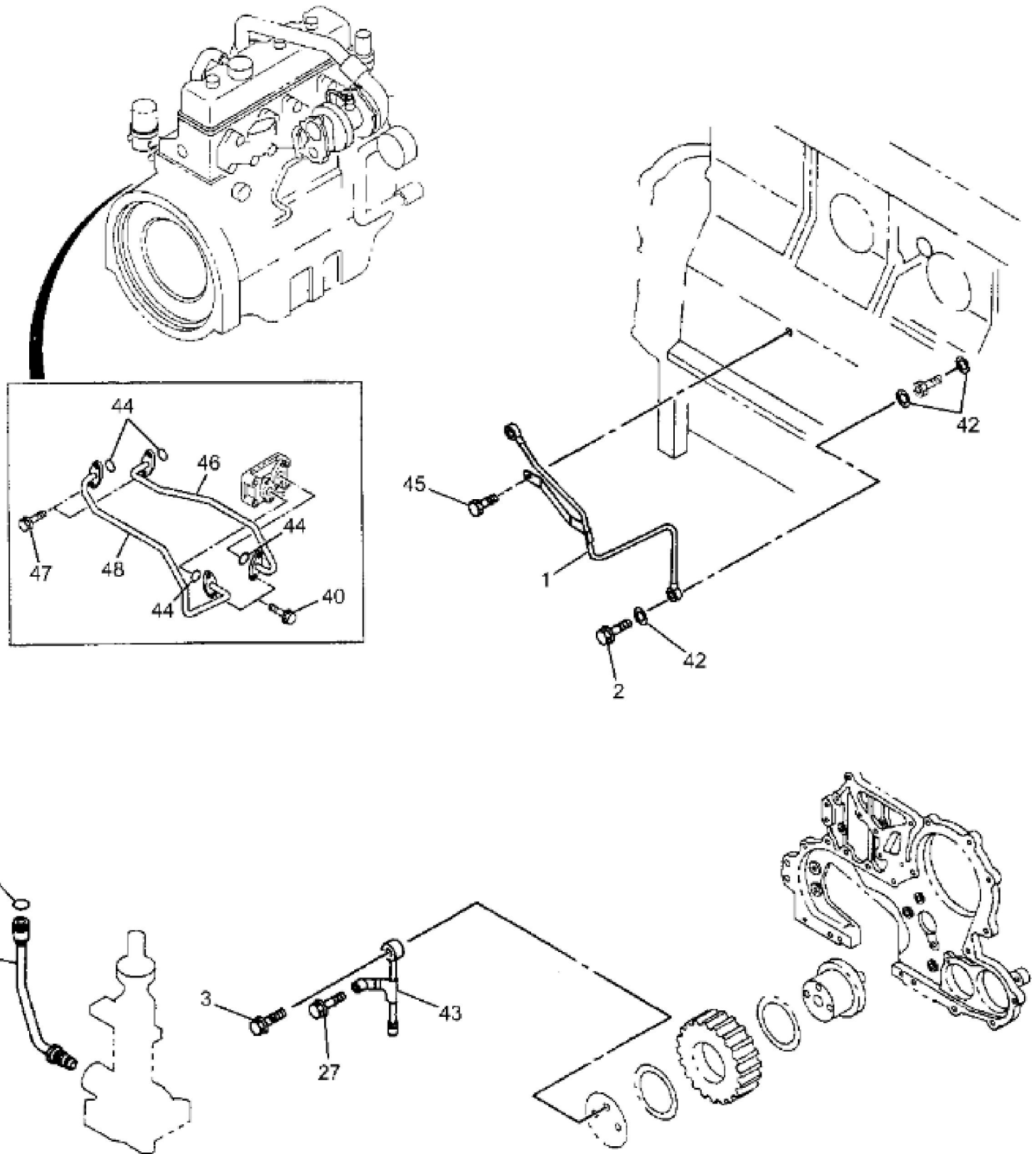
T157386

KEY	PART NO.	PART NAME	QTY	REMARKS	
1	8972539870	OIL PAN	1		
2	8973251740	DIPSTICK	1		
3	8943993980	GASKET	1	(SUB FOR AT254814 OR 1096231830)ALSO INCLUDED IN GASKET SET (ENGINE)	
4	9096620120	PIPE PLUG	1	(SUB FOR AT255027)M20	
16	8970801940	GASKET	1	ALSO INCLUDED IN GASKET SET (ENGINE)	
23	8941339732	BOLT	10		
24	14M7298	FLANGE NUT	12	M8, SUB FOR AT259945 OR 4447338	
25	8972300700	REINFORCEMENT	1		
26	8972300690	REINFORCEMENT	1		
27	0286510400	BOLT	4	(SUB FOR 0286810400)M10X40 FLANGE	
28	0286512300	BOLT	2	M12X30 FLANGE, SUB FOR 0286812300	



T159193

KEY	PART NO.	PART NAME	QTY	REMARKS	
1	8973251570	OIL PUMP	1		
7	0505408250	BOLT	4	M8X25 W/LK WASHER, SUB FOR 0500408250	
19	8970441120	GEAR	1		
29	SCREW WITH WASHER	2	M8 x 25, With Lock Washer, 0501408250 NLA	
29	19M7163	CAP SCREW	2	M8 X 25	
29	WASHER	2	12M7065 NLA	
29	24M7036	WASHER	2	9 X 16 X 1.600 mm	
31	9131130771	COVER	1		
66	9131430100	STRAINER	1		



Thank you so much for reading.
Please click the “Buy Now!”
button below to download the
complete manual.



After you pay.

You can download the most
perfect and complete manual in
the world immediately.

Our support email:

ebooklibonline@outlook.com