

CRANKCASE

| KEY | PART NO. | PART NAME | QTY | REMARKS |
|-----|-----------|----------------|-----|--|
| 1 | M147493 | SCREEN | 1 | (SUB MIU11503) |
| 2 | 37H43 | SCREW | 4 | |
| 3 | LG690582 | WASHER | 1 | |
| 4 | LG691058 | BOLT | 2 | |
| 5 | LG690452 | RETAINER | 1 | |
| 6 | M147494 | FAN | 1 | |
| 6 | MIU11503 | FAN | 1 | (SUB MIA11519) |
| 7 | AM132343 | FLYWHEEL | 1 | ORDER AUC10649; ALSO ORDER MIU13972 |
| 7 | AUC10649 | FLYWHEEL | 1 | |
| 8 | LG691265 | SNAP RING | 1 | |
| 9 | LG693713 | GEAR | 1 | |
| 10 | M147508 | SCREW | 2 | |
| 11 | MIU11682 | TUBE | 1 | BREATHER, (SUB FOR M147499) |
| 12 | M147500 | COVER | 1 | ORDER MIU11631 |
| 12 | MIU11631 | COVER | 1 | |
| 13 | M147564 | GASKET | 1 | |
| 14 | M147507 | SCREW | 2 | |
| 15 | M147501 | BREATHER | 1 | BREATHER |
| 16 | MIA11419 | CYLINDER BLOCK | 1 | (SUB FOR AM132374 OR MIA11101) |
| 17 | LG399265 | BEARING | 1 | ORDER MIA11778; Bushing W/Seal |
| 17 | MIA11778 | SEAL KIT | 1 | Bushing W/Seal |
| 18 | LG391086S | SEAL | 1 | (MAGNETO SIDE) |
| 19 | LG690959 | DOWEL PIN | 1 | |
| 20 | LG692407 | SEAL | 1 | GOVERNOR SHAFT |
| 21 | M147497 | BUSHING | 1 | GOVERNOR CRANK |
| 22 | M147513 | GASKET | 1 | |
| 23 | MIU11958 | SEAL | 1 | PTO SIDE, (SUB FOR LG690947 OR MIU11212) |
| 24 | AM132352 | RESERVOIR | 1 | |
| 25 | AM131611 | TUBE | 1 | OIL DRAIN |
| 26 | | OIL TUBE | 1 | |
| 27 | T77932 | O-RING | 1 | |
| 28 | | CAP | 1 | |
| 29 | GC00331 | BOLT | 4 | ORDER GX24210; Engine Mounting |
| 29 | GX24210 | SCREW | 4 | |

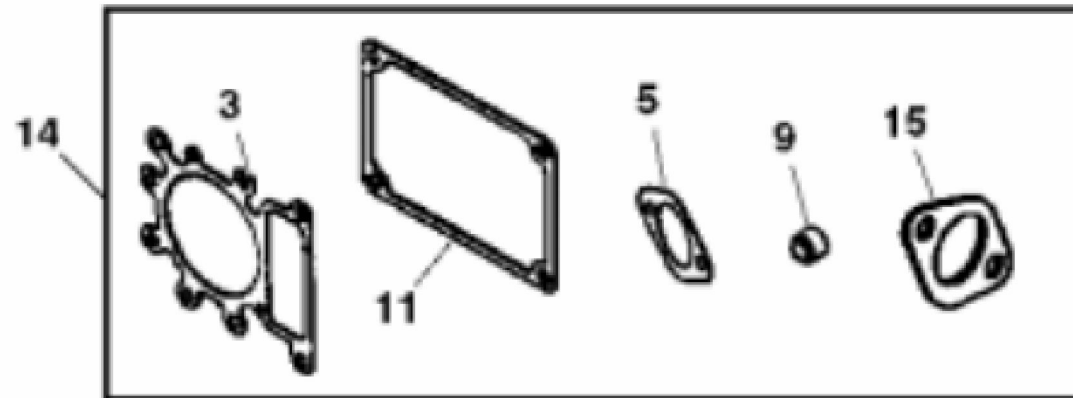
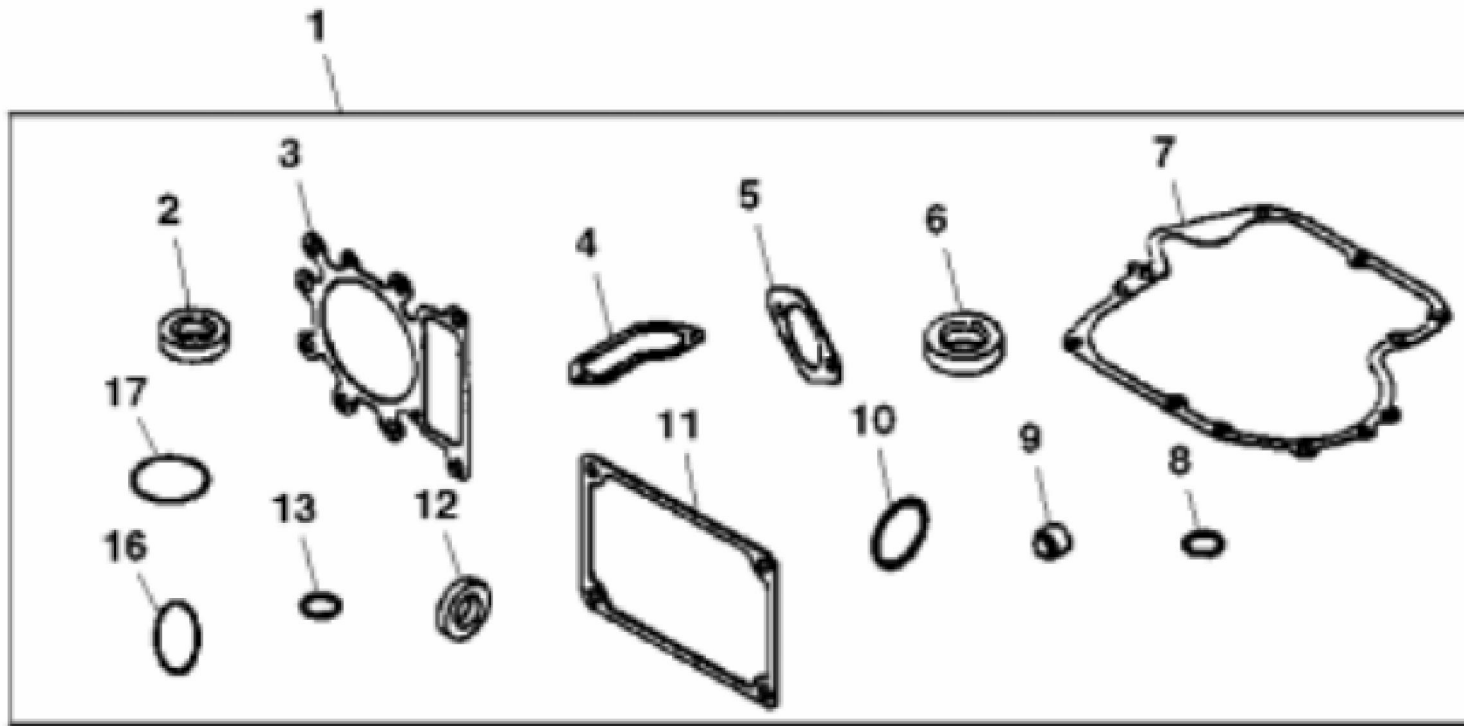
| KEY | PART NO. | PART NAME | QTY | REMARKS | |
|-----|----------|---------------------|-----|--|--|
| 30 | LG692125 | CAP SCREW | 12 | | |
| 31 | 15H623 | PIPE PLUG | 1 | 3/8", (SUB FOR LG690946) | |
| 32 | MIU11635 | PLUG | 1 | (A) | |
| 33 | MIA13017 | SCREEN KIT | 1 | (A) SUB FOR MIU11634 AND MIA11525 | |
| 34 | MIU11638 | SCREW | 2 | (A) | |
| 35 | MIU12139 | FLYWHEEL | 1 | (A) FAN | |
| 36 | MIU13972 | KEY | 1 | USE WITH AUC10649 | |
| .. | AM131774 | GASOLINE ENGINE | 1 | (MARKED 31F707-0112-E1) | |
| .. | AM133767 | ASSEMBLY LINE PARTS | 1 | (MARKED 31F707-0112-E3) (SUB FOR AM131774) | |
| .. | MIA11519 | FLYWHEEL KIT | 1 | (INCLUDES PARTS MARKED (A)) | |

John Deere > Turf And Utility >TRACTOR, LAWN AND GARDEN >SCOTTS - TRACTOR, LAWN AND GARDEN >L1742 Scotts Lawn Tractor with 42-inch Mower Deck >20 ENGINE GU20037 >ST645104 - CRANKSHAFT, PISTON AND DIPSTICK

| KEY | PART NO. | PART NAME | QTY | REMARKS |
|-----|-----------|------------------------|-----|---|
| 1 | AM135145 | DIPSTICK | 1 | (SUB FOR M147514) |
| 2 | LG691031 | O-RING | 1 | |
| 3 | LG691032 | SEAL | 1 | |
| 4 | AM135144 | DIPSTICK TUBE | 1 | (SUB FOR AM132353) |
| 5 | MIA10624 | ROD | 1 | CONNECTING, (SUB FOR AM132346) |
| 6 | MIU11051 | SCREW | 1 | (SUB FOR LG692852) |
| 7 | MIA10989 | COUNTERWEIGHT | 1 | (SUB FOR AM132354) |
| 8 | MIU11437 | PLUG | 1 | SUB FOR M147515 |
| 9 | AM135141 | CAMSHAFT | 1 | (SUB FOR M150105) |
| 10 | LG690564 | TAPPET | 2 | |
| 11 | LG691968 | OIL SLINGER | 1 | |
| 12 | M147512 | GEAR | 1 | TIMING |
| 13 | 26H4 | SHAFT KEY | 1 | 1/8" X 3/8" |
| 13 | LG691639 | KEY | 1 | |
| 14 | MIA11844 | CRANKSHAFT | 1 | (SUB FOR AM132351) |
| 15 | LG222698S | SHAFT KEY | 1 | |
| 16 | M152553 | LOCK | 1 | (SUB FOR M147509) |
| 17 | MIA10691 | PISTON RING KIT | 1 | SUB FOR M150897 AND M147570; USE WITH AM134715; STD |
| 17 | MIU11639 | PISTON RING KIT | 1 | .50 MM (.020") OS, (SUB FOR M147571) |
| 18 | MIA11421 | PISTON REPLACEMENT KIT | 1 | STD, (SUB FOR AM132375 OR MIA10844 OR AM134715 OR MIA10981 OR MIA10690) |
| 18 | MIA11430 | PISTON | 1 | .50 MM (.020") OS, (SUB FOR AM132376 OR AM134716 OR MIA10918) |
| 19 | M152553 | LOCK | 2 | (SUB FOR M147509) |
| 20 | AM132347 | PISTON PIN | 1 | |
| 21 | M152554 | DIPSTICK TUBE | 1 | |
| 22 | M152556 | PIN | 2 | |
| 23 | MIU11436 | LINK | 2 | |

CYLINDER HEAD

| KEY | PART NO. | PART NAME | QTY | REMARKS |
|-----|-----------|-----------------------------|-----|--|
| 1 | MIA11468 | CYLINDER HEAD | 1 | (SUB FOR AM132972 OR LG690188 OR MIA11079) |
| 2 | LG691843 | CAP | 2 | |
| 3 | LG691279 | SPRING | 2 | |
| 4 | LG499586 | RETAINER | 1 | (SUB FOR LG691752 OR M144618) |
| 5 | MIA11214 | EXHAUST VALVE | 1 | (SUB FOR MIA10688 OR AM134724 OR AM133877 OR AM132546 OR LG495856) |
| 6 | LG690968 | SEAL | 1 | |
| 7 | MIA10689 | INTAKE VALVE | 1 | (SUB FOR LG495857 OR M149939) |
| 8 | LG272475S | GASKET | 1 | ROCKER COVER |
| 9 | MIU11490 | ENGINE CYLINDER HEAD GASKET | 1 | (SUB FOR M150400 OR LG692410) |
| 10 | LG692138 | O-RING | 1 | |
| 11 | LG690822 | GUIDE | 1 | |
| 12 | LG691095 | STUD | 2 | |
| 13 | LG691751 | ROCKER ARM | 2 | |
| 14 | LG691986 | ADJUSTER | 2 | |
| 15 | M144311 | GASKET | 1 | INTAKE |
| 16 | LG690564 | TAPPET | 2 | |
| 17 | LG692003 | PUSH ROD | 1 | INTAKE |
| 17 | LG692011 | PUSH ROD | 1 | EXHAUST |
| 18 | MIU12708 | COVER | 1 | (INCLUDES LG272475S) (SUB FOR LG225521 OR LG692492 OR MIU11055) |
| 19 | 37H73 | SCREW | 4 | |
| 20 | LG690360 | BOLT | 8 | |
| 21 | M152565 | GUARD | 1 | FLYWHEEL, (USE WITH MIA11079) |
| 22 | MIU11713 | SHIELD | 1 | CYLINDER |
| 23 | LG692236 | GASKET | 1 | EXHAUST |



Thank you so much for reading.
Please click the “Buy Now!”
button below to download the
complete manual.



After you pay.

You can download the most
perfect and complete manual in
the world immediately.

Our support email:

ebooklibonline@outlook.com