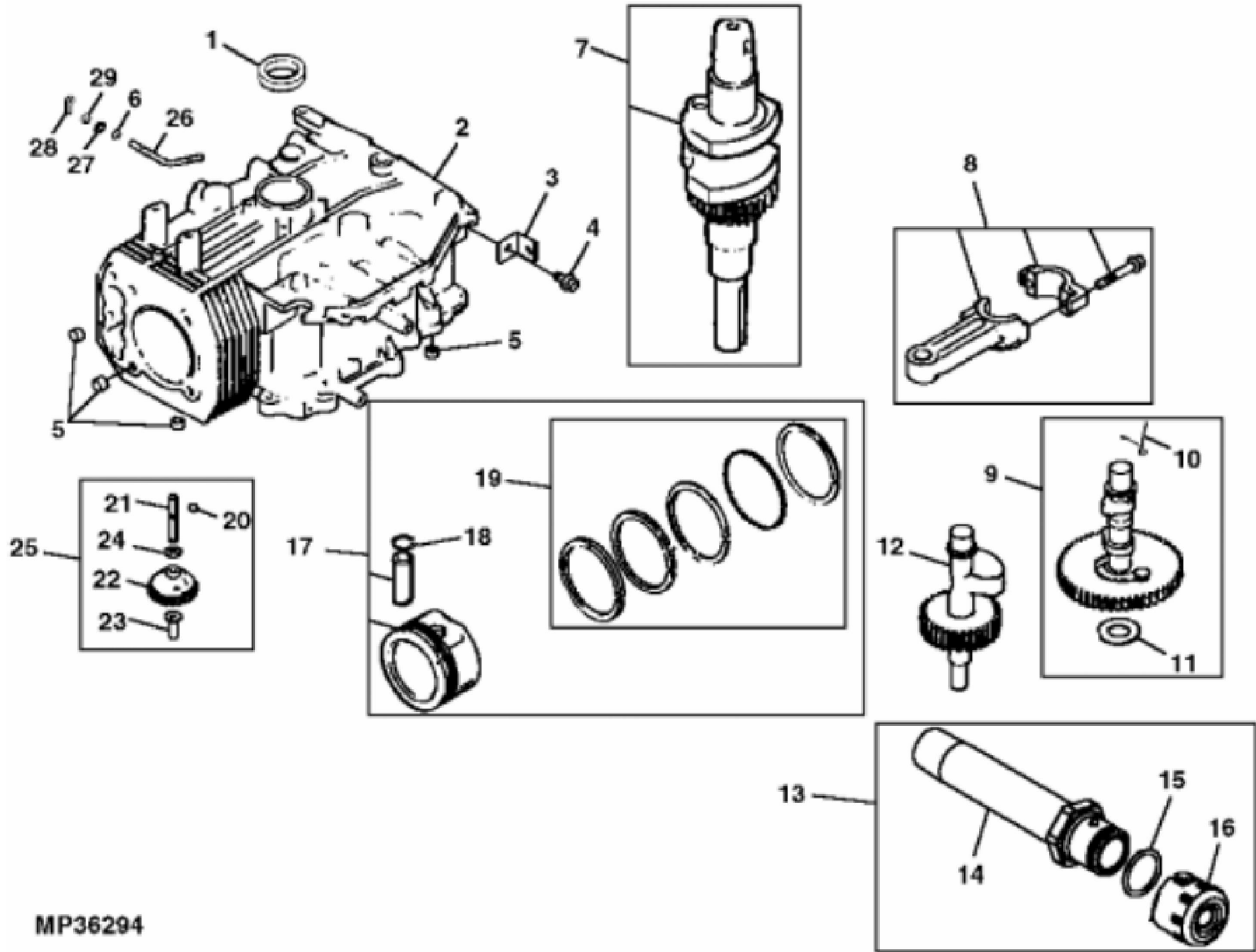


MP25382

John Deere > Turf And Utility >TRACTOR, LAWN AND GARDEN >SCOTTS - TRACTOR, LAWN AND GARDEN >L17.542 Scotts Lawn Tractor with 42-inch Mower Deck >20 ENGINE GU20038 >ST644911 - CYLINDER HEAD AND ROCKER ARM

KEY	PART NO.	PART NAME	QTY	REMARKS
1	37M7131	SCREW	2	M6 X 20
2	37M7091	SCREW	3	M6 X 25
3	M124985	STRAP	1	LIFT
4	M92209	COVER	1	VALVE
5	TY22462	CLAMP	2	HOSE
6	M92212	HOSE	1	BREATHER
7	AM117016	VALVE	1	BREATHER;ORDER M153533,M92210 And M93483
8	M93483	SCREW	1	
9	M153533	RETAINER	1	
10	M92210	BEAM	1	
11	MIU13278	VALVE LIFTER	2	SUB FOR M137271 or MIU11034 or MIU12989
12	AM131949	ASSEMBLY LINE PARTS	1	CYLINDER HEAD
13	M146623	PUSH ROD	2	
14	M124986	ENGINE CYLINDER HEAD GASKET	1	
15	15H558	PIPE PLUG	1	1/8", HEX
16	INTAKE VALVE	1	(A) STD
16	M92213	INTAKE VALVE	1	.25 MM (.010") OS
17	EXHAUST VALVE	1	(B) STD
17	M92214	EXHAUST VALVE	1	.25 MM (.010") OS
18	AM132197	CYLINDER HEAD	1	(SUB FOR AM131950)
19	M131133	ROCKER ARM	2	
20	M131132	PIVOT	2	
21	19M8290	SCREW	2	M6 X 35
22	M120417	WASHER	1	
23	M120286	SPACER	1	(HEAD BOLT, EXHAUST PORT)
24	M149264	BOLT	5	CYLINDER HEAD, (SUB FOR M92367)
25	M146624	SPRING	2	
26	M92203	CAP	2	(A) (B)
27	AM107043	RETAINER	2	(A) (B)
28	AM119712	VALVE KIT	1	ORDER AM107043,M146624 , M92200 AND M92203 ; ;Not Illustrated
29	AM119711	VALVE KIT	1	EXHAUST VALVE (INCLUDES PARTS MARKED (B));;Not Illustrated

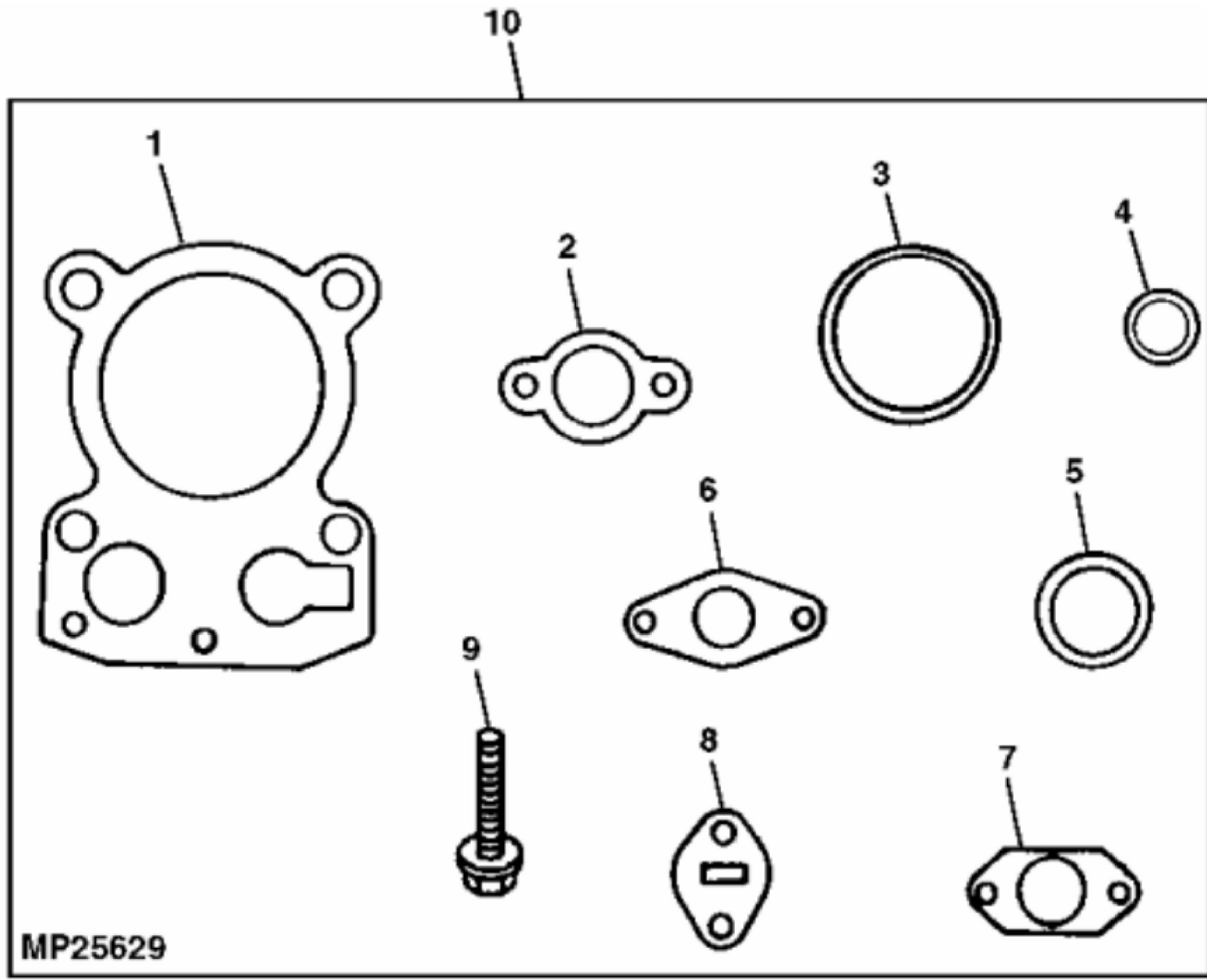


MP36294

John Deere > Turf And Utility >TRACTOR, LAWN AND GARDEN >SCOTTS - TRACTOR, LAWN AND GARDEN >L17.542 Scotts Lawn Tractor with 42-inch Mower Deck >20 ENGINE GU20038 >ST644912 - CRANKSHAFT, PISTON AND SHORT BLOCK

KEY	PART NO.	PART NAME	QTY	REMARKS
1	M92074	SEAL	1	
2	CYLINDER BLOCK	1	(ORDER AM131954)
3	M92069	STRAP	1	
4	19M7867	SCREW	1	M8 X 25
5	MIU11251	DOWEL PIN	4	Locating, (SUB FOR M144516)
6	M96520	WASHER	1	
7	AM131947	CRANKSHAFT	1	
8	M146620	ROD	1	Connecting, STD
8	M146621	ROD	1	.25 MM (.010") US, Connecting
9	AM123079	KIT	1	Camshaft (Metal Gear)
10	MIU10690	SPRING	1	Actuating, (SUB FOR M133017)
11	M93955	SOLID SHIM	AR	(.73 MM/ .029"), (White), Camshaft
11	M97015	SOLID SHIM	AR	(75 MM/ .030"), (Blue)
11	M118585	SHIM	AR	(.81 MM/ .032"), (Red)
11	M96817	SOLID SHIM	AR	(.86 MM/ .034"), (Yellow)
11	M96818	SOLID SHIM	AR	(.91 MM/ .036"), (Green)
11	M96819	SOLID SHIM	AR	(.96 MM/ .038"), (Gray)
11	M118584	SHIM	AR	(1.02 MM/ .040"), (Black)
12	M146619	SHAFT	1	Balance
13	AM131611	DRAIN PLUG	1	Oil Drain
14	TUBE	1	
15	T77932	O-RING	1	
16	CAP	1	
17	AM122461	PISTON REPLACEMENT KIT	1	STD
18	M92077	RETAINER	2	Piston Pin
19	AM122468	PISTON RING KIT	1	STD
20	M76215	PLUG	1	
21	M92081	SHAFT	1	
22	M92082	GEAR	1	
23	M92083	PIN	1	
24	M93418	WASHER	1	
25	AM117019	GEAR KIT	1	NLA
26	AM123070	SHAFT	1	Governor (INCLUDES M126396)
27	M92079	SEAL	1	Governor Cross Shaft

KEY	PART NO.	PART NAME	QTY	REMARKS	
28	M126396	QUICK LOCK PIN	1	Governor Hitch	
29	M93419	WASHER	1	Governor Shaft	
..	AM131587	ENGINE	1	(ENGINE MARKED CV490S-27509)	
..	AM131954	SHORT BLOCK ASSEMBLY	1	(ENGINE MARKED CV490S-27509)	



John Deere > Turf And Utility >TRACTOR, LAWN AND GARDEN >SCOTTS - TRACTOR, LAWN AND GARDEN >L17.542 Scotts Lawn Tractor with 42-inch Mower Deck >20 ENGINE GU20038 >ST603496 - ENGINE GASKET KIT

KEY	PART NO.	PART NAME	QTY	REMARKS
1	M124986	ENGINE CYLINDER HEAD GASKET	1	
2	M92356	GASKET	1	AIR CLEANER
3	M131281	O-RING	1	OIL PUMP COVER
4	M92193	O-RING	2	LOWER, OIL FILL TUBE
5	M92074	SEAL	2	CRANKSHAFT
6	M92365	GASKET	2	MUFFLER
7	AM107046	GASKET	2	CARBURETOR
8	M126886	GASKET	1	FUEL PUMP
9	M149264	SCREW	5	(SUB FOR M92367)
10	AM130690	GASKET KIT	1	

Thank you so much for reading.
Please click the “Buy Now!”
button below to download the
complete manual.



After you pay.

You can download the most
perfect and complete manual in
the world immediately.

Our support email:

ebooklibonline@outlook.com