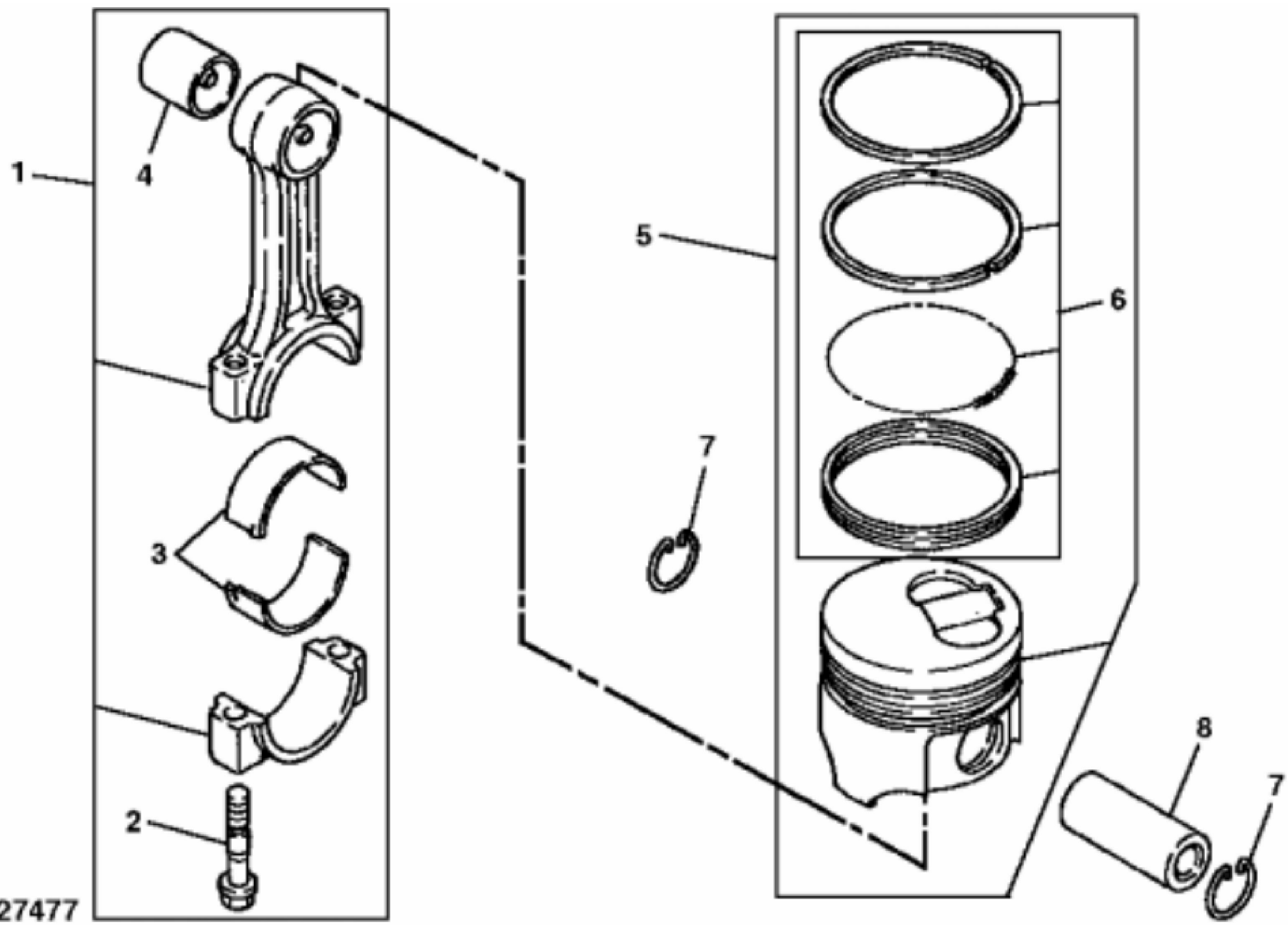


CYLINDER BLOCK

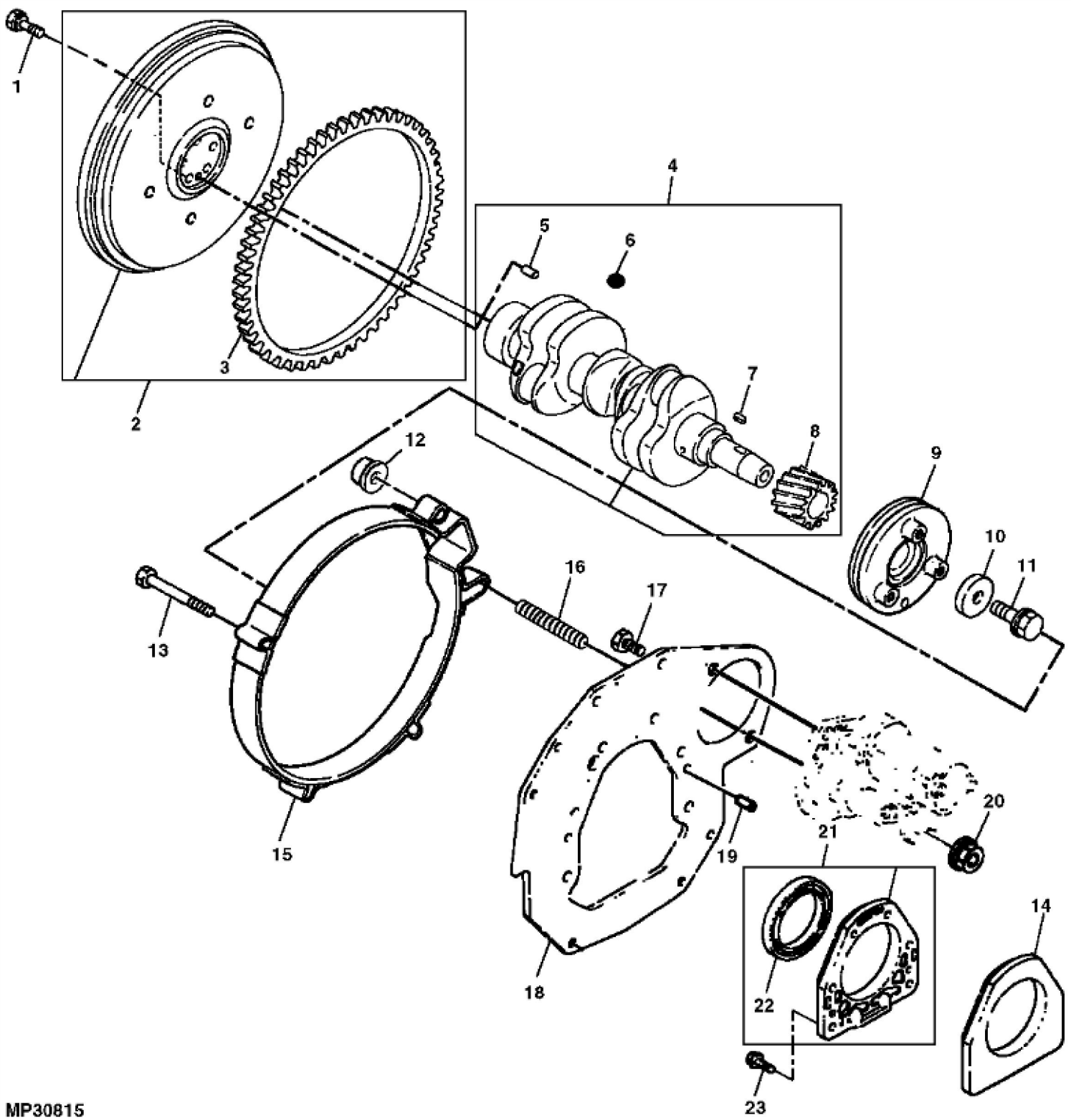
KEY	PART NO.	PART NAME	QTY	REMARKS
1	M87866	BOLT	14	
2	M807320	ENGINE CYLINDER HEAD GASKET	1	
3	CH18079	SPRING PIN	2	
4	30M7023	PLUG	6	
5	CYLINDER BLOCK	1	
6	M87862	BUSHING	1	
7	19M7774	SCREW	3	M6 X 12
8	M89140	SHAFT	1	
9	M800006	DOWEL PIN	2	
10	M112792	DRAIN PLUG	1	
11	M802255	PIN	2	
12	M802254	PIN	2	
13	AM100718	BEARING KIT	4	STD
13	AM100732	BEARING KIT	4	.25 MM (.010") US
14	AM100719	BEARING KIT	2	
15	AM879213	CYLINDER BLOCK	1	
16	M87801	PLUG	1	
17	M87879	BOLT	8	
18	BEARING CAP	3	
19	BEARING CAP	1	
20	EPC200680	PLUG	1	
21	30M7023	PLUG	6	
22	M802643	PLUG	1	
23	M809593	PLUG	1	
24	AM100800	DRAIN VALVE	1	
..	AM129560	ENGINE	1	(3TNE74CEJLT) (ORDER AM879207)
..	AM129745	ENGINE	1	(3TNE74JLTE) (EXPORT) (ORDER AM879207)
..	MIA882674	SHORT BLOCK ASSEMBLY	1	SUB FOR AM879207



MP27477

CONNECTING ROD AND PISTON

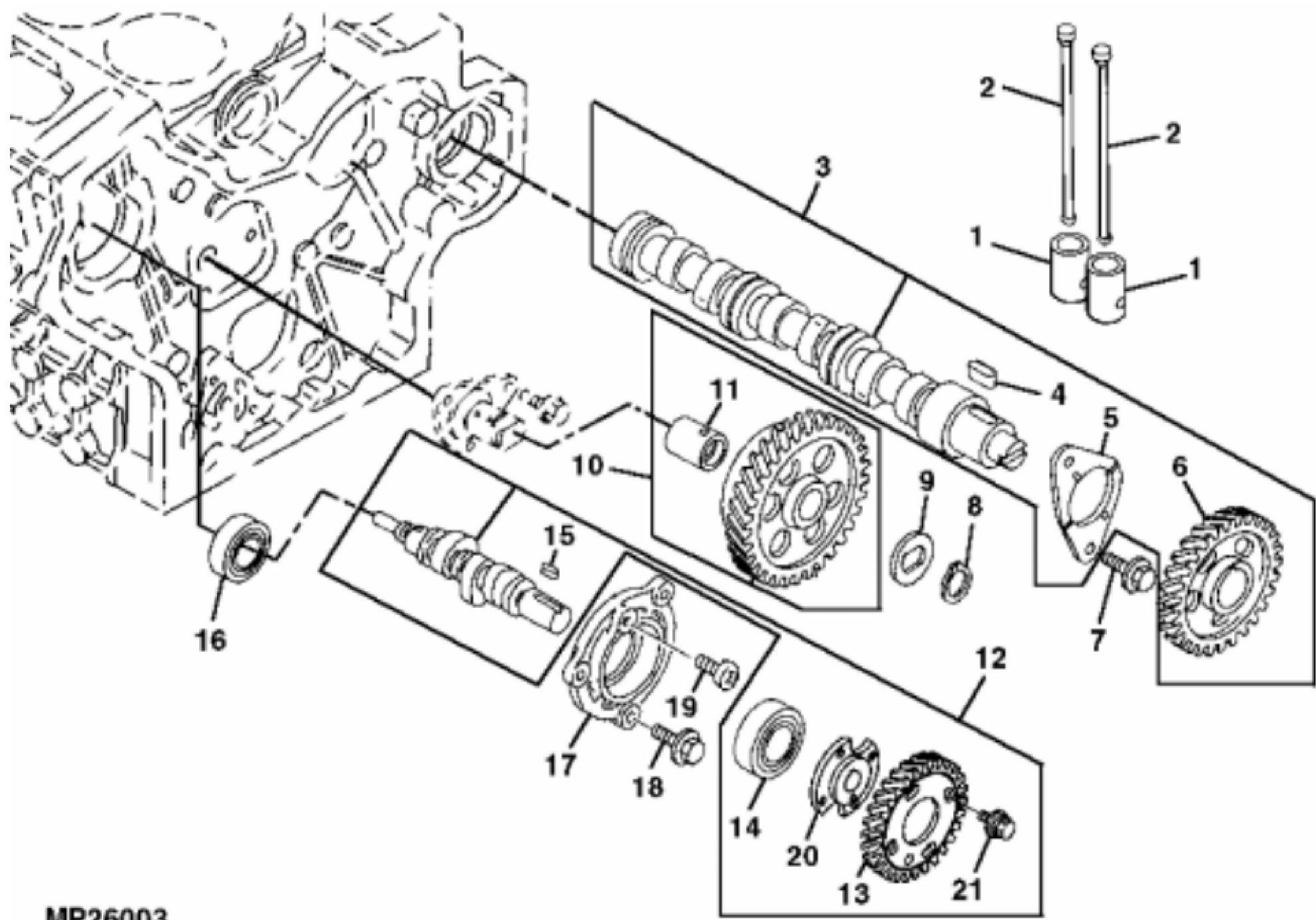
KEY	PART NO.	PART NAME	QTY	REMARKS	
1	AM100724	CONNECTING ROD	3		
2	M87817	BOLT	2		
3	AM100725	BEARING KIT	1	STD	
3	AM100822	BEARING KIT	1	.25 MM (.010") US	
4	M87864	BUSHING	1		
5	AM879196	PISTON REPLACEMENT KIT	3	STD	
5	AM879211	PISTON REPLACEMENT KIT	3	.25 MM (.010") OS	
6	AM879197	PISTON RING KIT	1	STD	
6	AM879214	PISTON RING KIT	1	.25 MM (.010") OS	
7	M87816	SNAP RING	6		
8	M807350	PISTON PIN	3		



MP30815

CRANKSHAFT, FLYWHEEL AND MOUNTING FLANGE

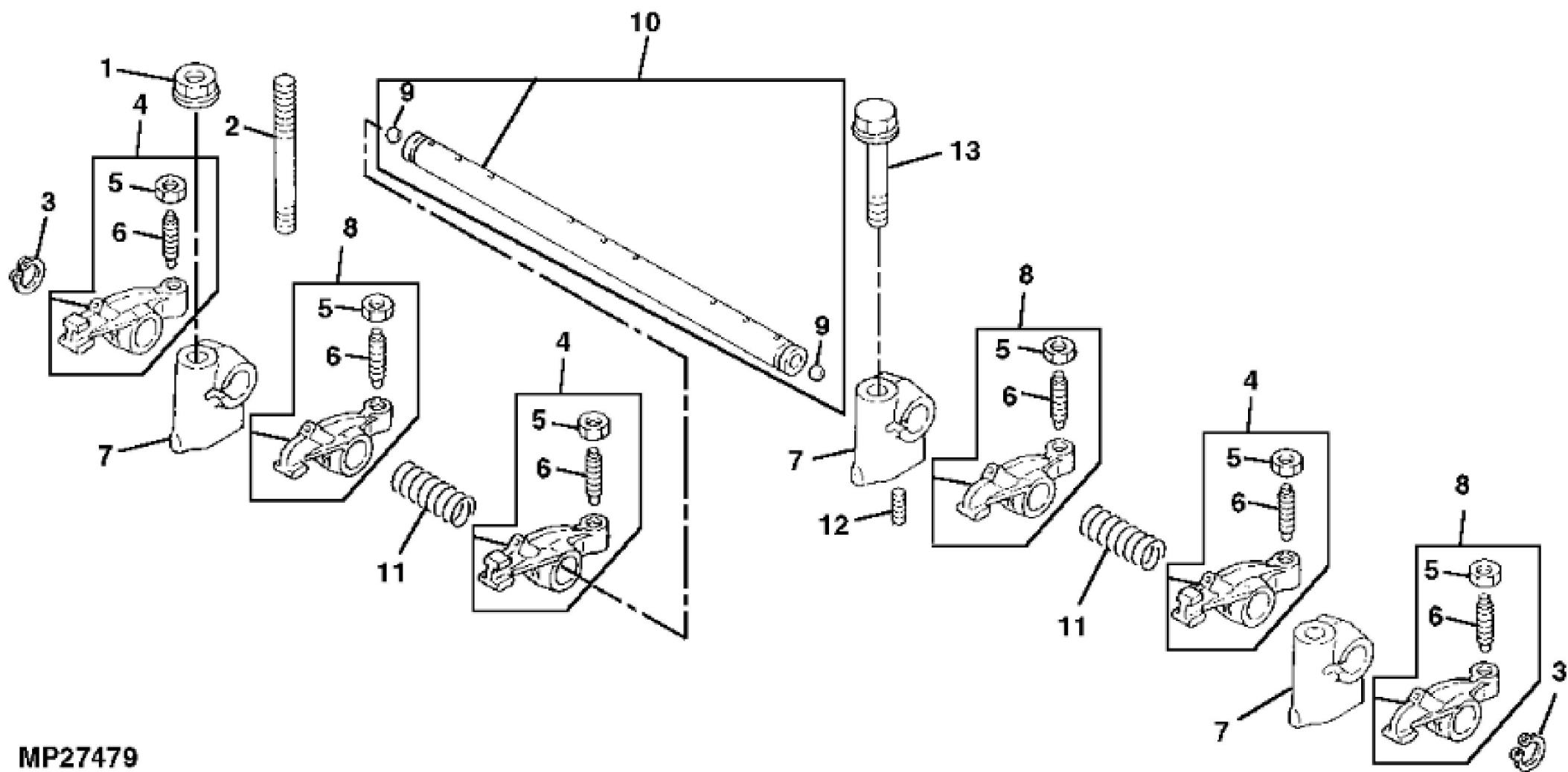
KEY	PART NO.	PART NAME	QTY	REMARKS	
1	M87887	BOLT	5		
2	AM875090	FLYWHEEL	1		
3	M88025	RING GEAR	1		
4	AM879193	CRANKSHAFT	1		
5	M802255	PIN	1		
6	400R	BALL	1		
7	M87812	SHAFT KEY	1		
8	M807340	GEAR	1		
9	M802548	PULLEY	1		
10	M800308	WASHER	1		
11	M800075	BOLT	1		
12	CH15585	NUT	2		
13	M88664	BOLT	3		
14	M64850	SEALANT	1	(2.8 OZ TUBE)	
15	M802325	COVER	1		
16	M87982	STUD	2		
17	19M7938	CAP SCREW	8	M10 X 20	
18	M802564	PLATE	1		
19	M802255	PIN	2		
20	CH15585	NUT	1		
21	AM100720	CASE	1		
22	M801941	SEAL	1		
23	M87826	BOLT	6		



MP26003

CAMSHAFT

KEY	PART NO.	PART NAME	QTY	REMARKS
1	M87813	TAPPET	6	
2	M806348	PUSH ROD	6	
3	AM876426	CAMSHAFT	1	
4	M87812	SHAFT KEY	1	
5	M87810	FLANGE	1	(THRUST BEARING)
6	M87811	GEAR	1	CAMSHAFT
7	19M7774	SCREW	2	M6 X 12
8	40M7080	SNAP RING	1	
9	M89139	PLATE	1	IDLE GEAR RETAINER
10	AM875078	GEAR	1	IDLE (W/ BUSHING)
11	M800300	BUSHING	1	IDLE GEAR
12	CAMSHAFT	1	FUEL INJECTION PUMP
13	GEAR	1	
14	M800073	BEARING	1	
15	M87812	SHAFT KEY	1	
16	M800496	BALL BEARING	1	
17	M89175	CASE	1	BEARING
18	19M7775	SCREW	3	M6 X 16
19	CH15405	SCREW	1	
20	FLANGE	1	
21	BOLT	4	



MP27479

Thank you so much for reading.
Please click the “Buy Now!”
button below to download the
complete manual.



After you pay.

You can download the most
perfect and complete manual in
the world immediately.

Our support email:

ebooklibonline@outlook.com