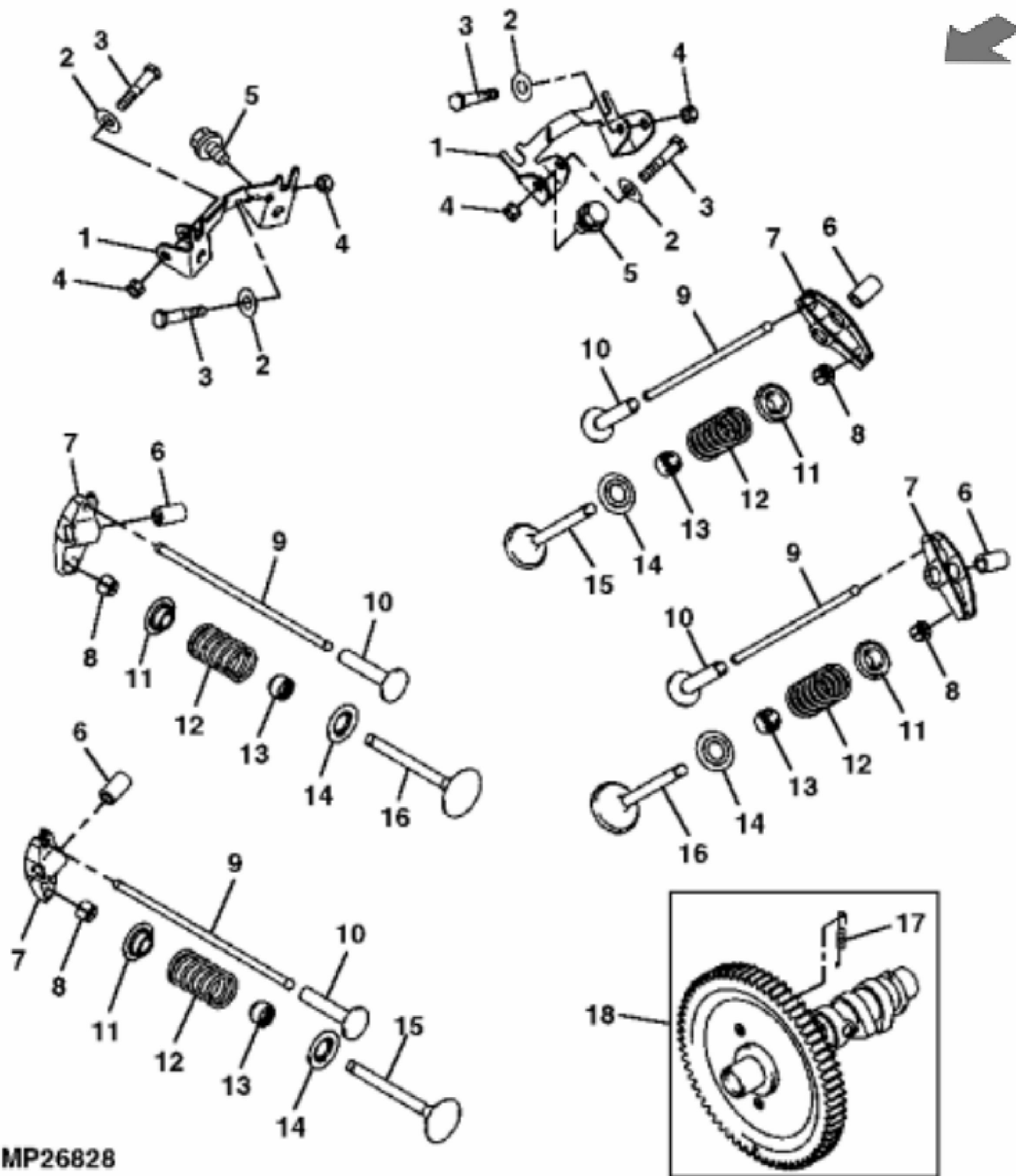


John Deere > Turf And Utility >TRACTOR, LAWN AND GARDEN >X585 - TRACTOR, LAWN AND GARDEN >X585 Lawn and Garden Tractor >20 ENGINE (FD711D-AS02, BS02) AM129567 >ST603649 - CYLINDER HEAD AND CRANKCASE

KEY	PART NO.	PART NAME	QTY	REMARKS
1	M147295	VALVE COVER	1	RH
2	19M7874	CAP SCREW	8	M6 X 30
3	MIU11493	BOLT	8	(SUB FOR M147306)
4	M147297	GASKET	2	
5	MIU11492	BOLT	4	(SUB FOR M147305)
6	M68144	STUD	4	NLA; ORDER MIU11949
7	AM132281	CYLINDER HEAD	1	RH
8	M147293	ENGINE CYLINDER HEAD GASKET	2	
9	MIU14325	CYLINDER HEAD	1	SUB FOR AM132282
10	M147294	VALVE COVER	1	LH
11	M77734	CLAMP	2	
12	M147307	TUBE	1	
13	19M7868	SCREW	4	M8 X 30
14	M147299	COVER	1	
15	M95848	SCREW	2	
16	M147298	PLATE	2	
17	M147300	VALVE	2	BREATHER
18	M147296	GASKET	1	
19	M147302	SEAL	1	
20	MIU12134	BEARING	1	(SUB FOR M147304)
21	M127431	ADAPTER FITTING	1	USE WITH AM132283
22	MIA12868	CRANKCASE	1	SUB FOR AM132283
23	M70227	PIN	6	
24	M76104	O-RING	3	
25	MIU10833	SEAL	1	(SUB FOR M94387)
26	19M8318	SCREW	6	M8 X 45
27	M139490	BOLT	4	(SUB FOR M94242)
28	MIA12867	CRANKCASE	1	SUB FOR M147763
29	M147303	SEAL	1	
30	MIU14326	BEARING	1	USE WITH MIA12867
..	AM129567	GASOLINE ENGINE	1	(MARKED FD711D-AS02) (SUB MIA10763)
..	AM135054	GASOLINE ENGINE	1	(MARKED FD711D-BS02) (SUB MIA10763)
..	AM132305	SHORT BLOCK ASSEMBLY	1	

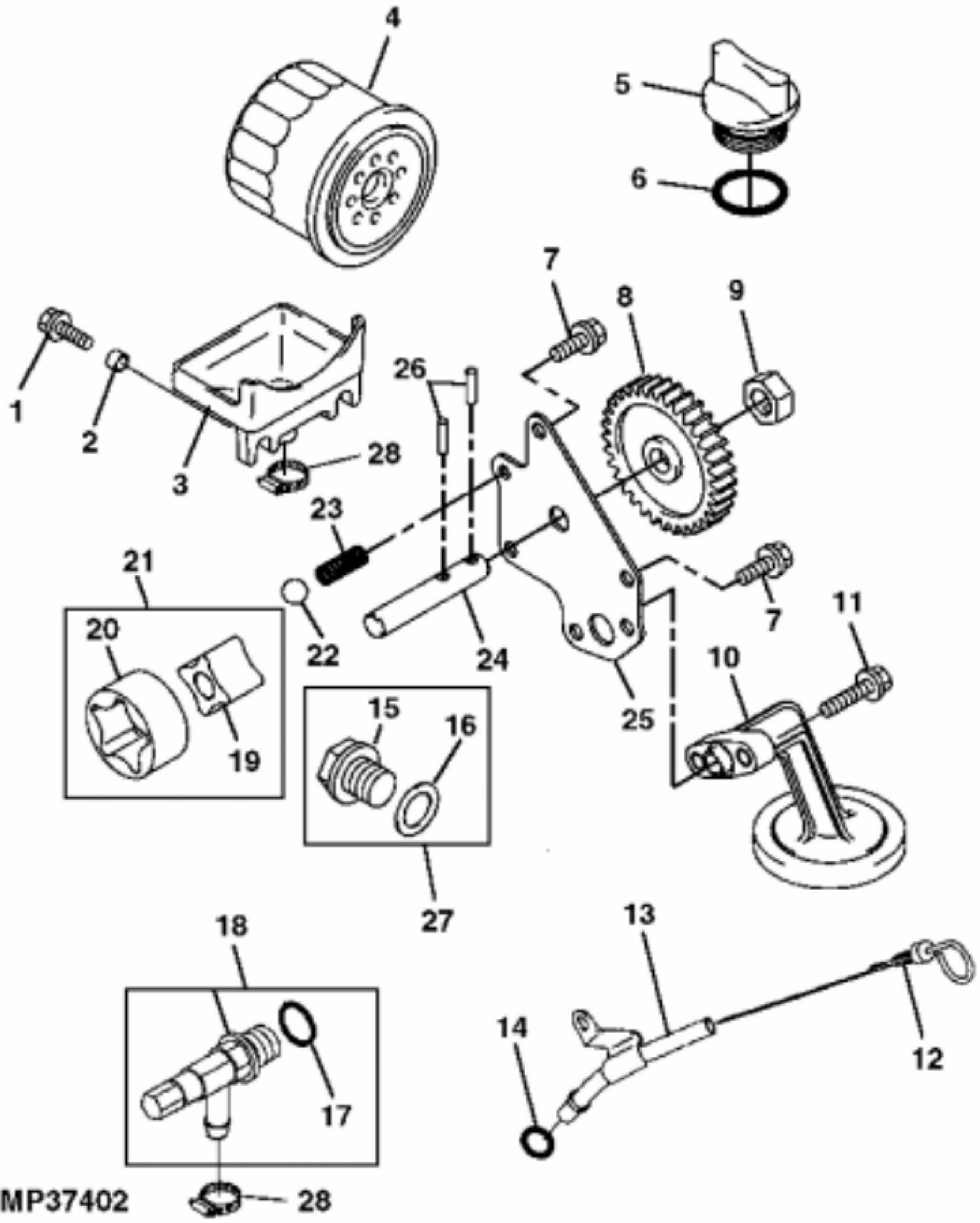
CRANKSHAFT AND PISTON ASSEMBLY

KEY	PART NO.	PART NAME	QTY	REMARKS	
1	AM102610	PISTON RING KIT	2		
2	M70220	SNAP RING	4		
3	M70219	PISTON PIN	2		
4	M147308	PISTON	2		
5	M147310	BOLT	2		
6	AM132284	CONNECTING ROD	2		
7	M77843	SHAFT KEY	1		
8	M147309	SPUR GEAR	1		
9	MIA10555	CRANKSHAFT	1	(SUB FOR AM132285)	



MP26828

KEY	PART NO.	PART NAME	QTY	REMARKS
1	M147311	BRACKET	2	
2	M147320	WASHER	4	
3	M147317	BOLT	4	
4	14M7272	NUT	4	M6
5	M147319	BOLT	4	
6	M147318	BUSHING	4	
7	MIU14434	ROCKER ARM	4	SUB FOR M147314
8	AM132412	RETAINER	4	(INCLUDES (2) HALVES)
9	M147315	PUSH ROD	4	
10	M70213	TAPPET	4	
11	M72322	RETAINER	4	
12	M70206	SPRING	4	
13	M70034	SEAL	4	
14	M70033	SEAT	4	
15	M147313	EXHAUST VALVE	2	
16	M147312	INTAKE VALVE	2	
17	M147316	SPRING	1	
18	MIA12870	CAMSHAFT	1	SUB FOR AM132286



MP37402

Thank you so much for reading.
Please click the “Buy Now!”
button below to download the
complete manual.



After you pay.

You can download the most
perfect and complete manual in
the world immediately.

Our support email:

ebooklibonline@outlook.com