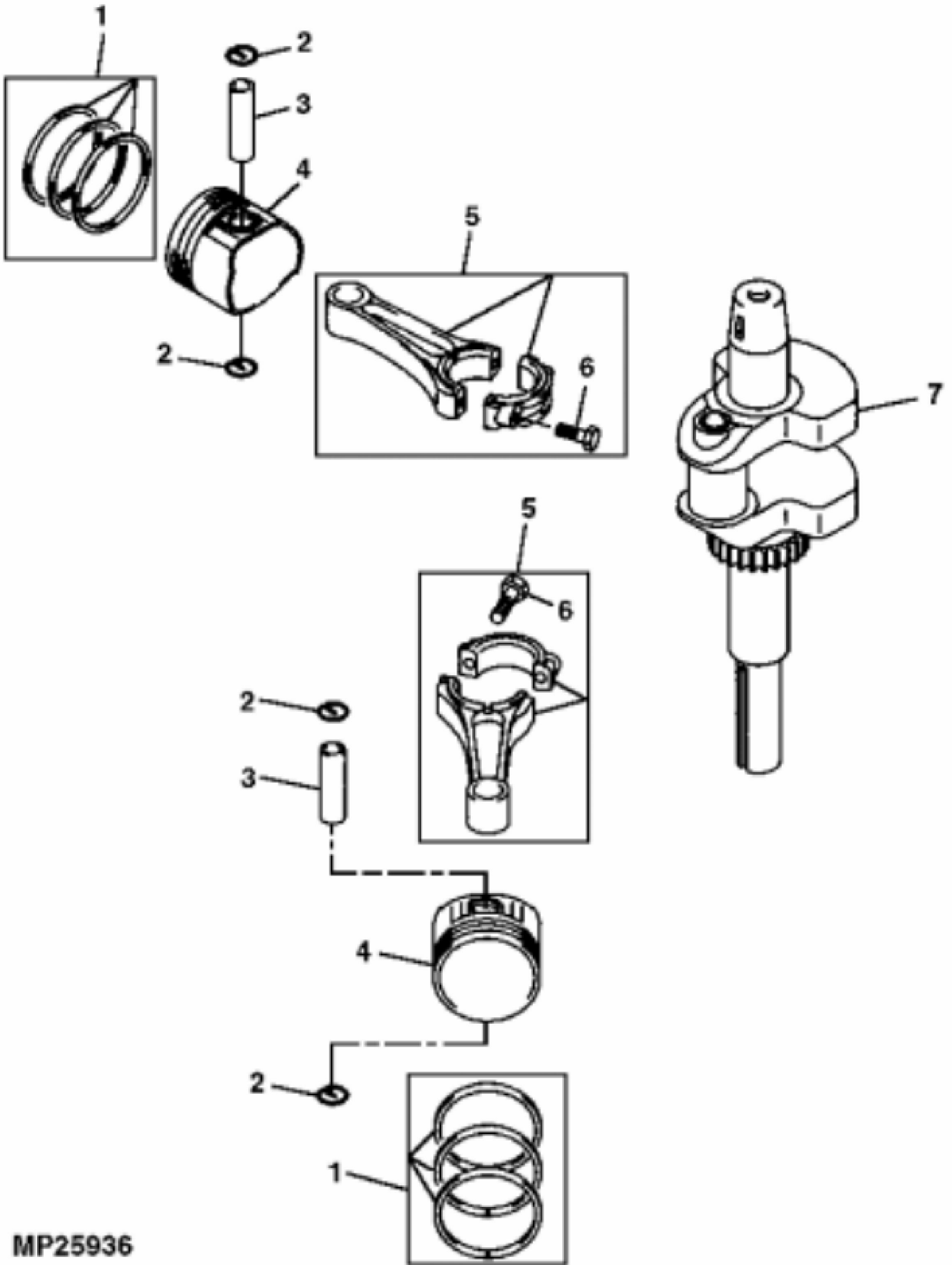


MP27001

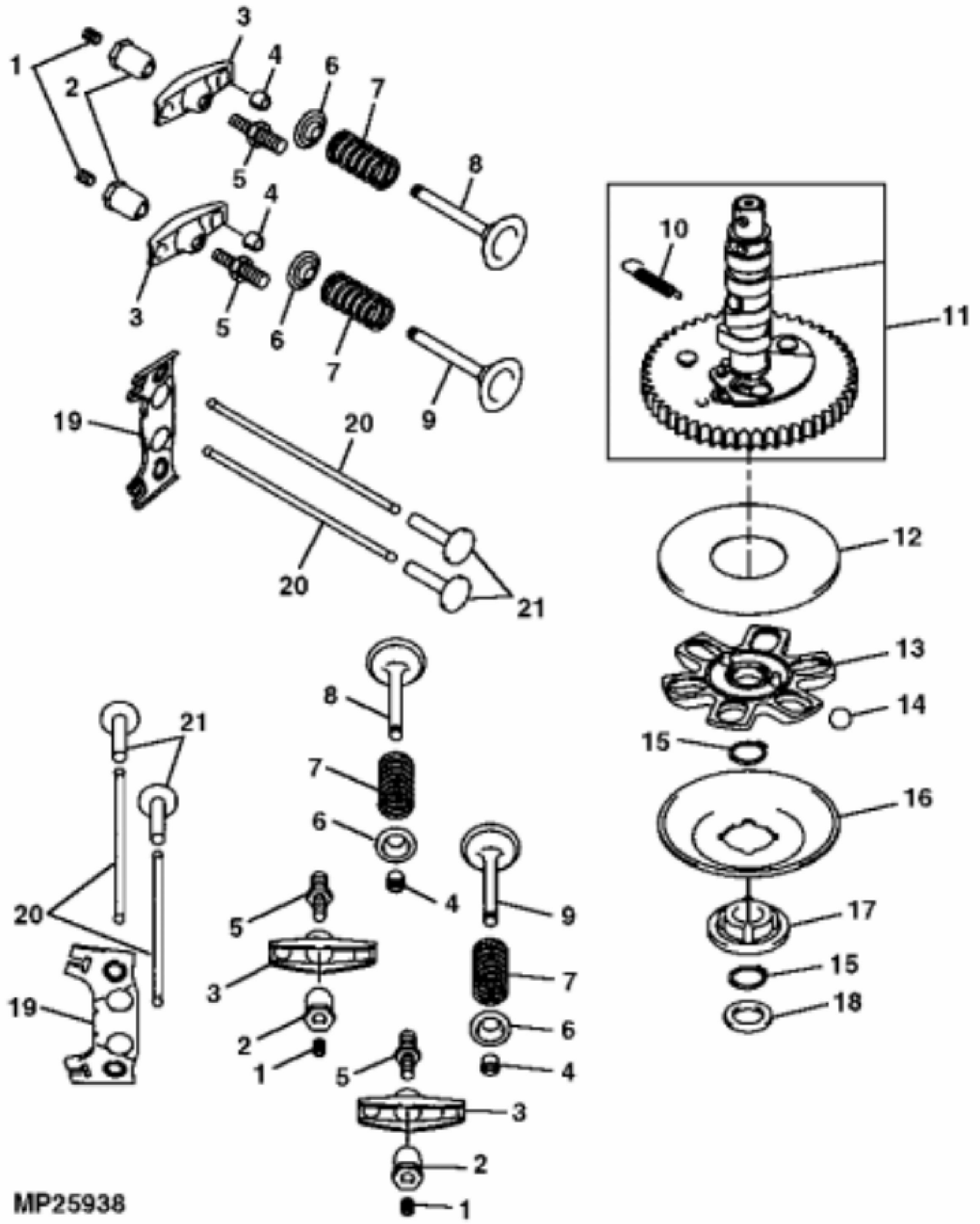
KEY	PART NO.	PART NAME	QTY	Serial No.	REMARKS
1	19M7775	SCREW	4		M6 X 16
2	M144669	COVER	1		NLA; ORDER MIU13921; BREATHER
2	MIU13921	COVER	1		
3	M144670	GASKET	1		NLA; ORDER MIU13922; BREATHER
3	MIU13922	GASKET	1		
4	M138386	FILTER ELEMENT	1		NLA
5	M143308	PLATE	1		NLA
6	M149281	SEAL	1		UPPER, (SUB FOR M138390)
7	19M8477	CAP SCREW	4		M6 X 40
8	MIU11950	CASE	2		ROCKER, (SUB MIU12700) (SUB FOR M144299)
9	M138375	GASKET	2		
10	MIU11326	BOLT	17		(SUB FOR M138393)
11	M138389	SEAL	4		
12	M138394	BOLT	2		NLA; ORDER MIU11322
12	MIU11322	BOLT	2		
13	M151770	CYLINDER HEAD	1		NO. 1, (SUB FOR M144207)
14	M138395	STUD	4		NLA; ORDER MIU11736
14	MIU11736	BOLT	4		NLA; ORDER MIU12726
14	MIU12726	STUD	4		
15	M138388	PIN	6		
16	MIU10797	ENGINE CYLINDER HEAD GASKET	2		(SUB FOR M138370)
17	M151771	CYLINDER HEAD	1		NO. 2, (SUB FOR M144209)
18	M149282	SEAL	1		LOWER, (SUB FOR M138391)
19	M138387	SNAP RING	2		
20	M150448	COVER	1		CRANKCASE, (SUB FOR M144507)
21	M138392	SEAL	1		NLA; ORDER M151774
21	M151774	SEAL	1		
22	M138382	GASKET	1		
23	M127431	ADAPTER FITTING	1		
24	AM133392	CRANKCASE	1		(SUB FOR AM131440)
25	14M7166	LOCK NUT	4		M8, (ENGINE MOUNTING)
26	19M7897	SCREW	4		M8 X 35, (ENGINE MOUNTING)
27	HOSE	1		OIL DRAIN, (MAKE FROM TY22562)
..	AM131830	GASOLINE ENGINE	1	____-500000	(MARKED FH500V-AS32), (SUB AM131438)
..	AM134149	GASOLINE ENGINE	1	500001-____	(MARKED FH500V-BS32), (SUB AM131438)

KEY	PART NO.	PART NAME	QTY	Serial No.	REMARKS
..	AM135269	GASOLINE ENGINE	1		(MARKED FH500V-CS32) (MEETS EU EMISSION REGULATION), (SUB AM131438)
..	MIA10630	GASOLINE ENGINE	1		(MARKED FH500V-DS32) (LOW PERMEABILITY HOSE), (SUB FOR AM131830, AM134149, AM135269 OR MIA10630) (SUB AM131438)
..	AM131438	SHORT BLOCK ASSEMBLY	1		



MP25936

KEY	PART NO.	PART NAME	QTY	REMARKS	
1	AM127861	PISTON RING KIT	2	STD	
1	AM128007	PISTON RING KIT	2	.50 MM (.020") OS	
2	M138398	SNAP RING	4	(SUB FOR M140233)	
3	M138397	PISTON PIN	2		
4	M143754	PISTON	2	STD	
4	M143755	PISTON	2	.50 MM (.020") OS	
5	AM127863	CONNECTING ROD	2	STD	
5	AM128006	CONNECTING ROD	2	.50 MM (.020") US	
6	19M7874	CAP SCREW	2	M6 X 30	
7	AM127862	CRANKSHAFT	1		



MP25938

Thank you so much for reading.
Please click the “Buy Now!”
button below to download the
complete manual.



After you pay.

You can download the most
perfect and complete manual in
the world immediately.

Our support email:

ebooklibonline@outlook.com