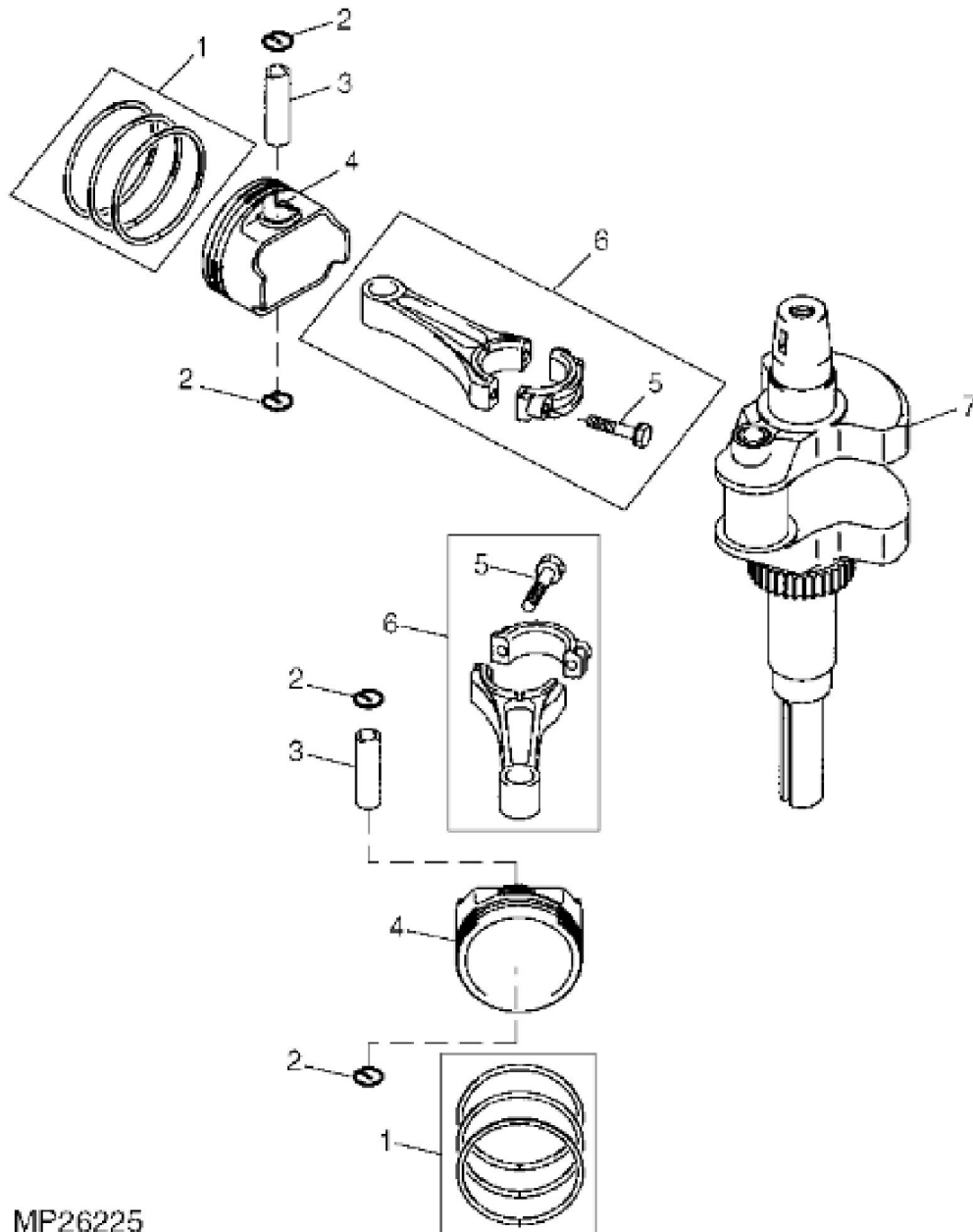


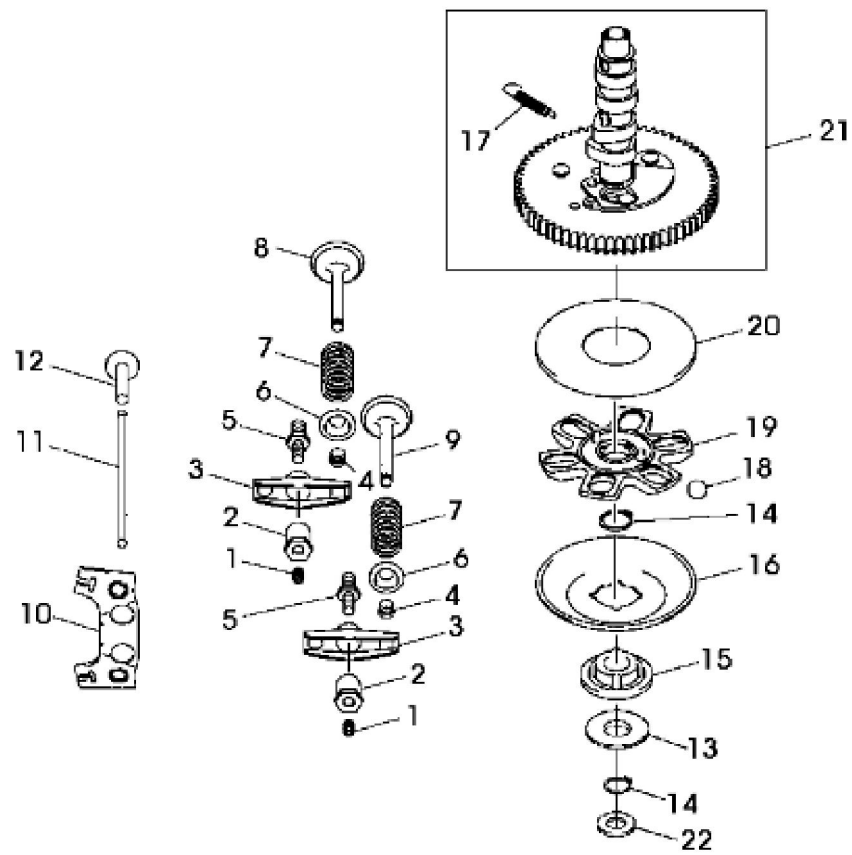
KEY	PART NO.	PART NAME	QTY	REMARKS
1	M141350	FILTER ELEMENT	1	ORDER MIA11393
2	M140222	GASKET	1	USE WITH AM131990, AM132634, MIA10990 AND MIA10964
2	MIU11731	GASKET	1	(A); USE WITH MIA11393
3	M140224	COVER	1	USE WITH AM131990, AM132634, MIA10990 AND MIA10964
3	MIU11732	COVER	1	(A); USE WITH MIA11393
4	19M7774	SCREW	4	M6 X 12, USE WITH AM131990, AM132634, MIA10990 AND MIA10964
4	19M7775	SCREW	4	M6 X 16, (A); USE WITH MIA11393
5	19M8477	CAP SCREW	4	M6 X 40
6	M140218	CASE	2	
7	M140221	GASKET	2	
8	M138394	BOLT	2	NLA; ORDER MIU11322
8	MIU11322	BOLT	2	
9	M138389	SEAL	4	(SUB FOR M149280)
10	MIU11326	BOLT	8	(SUB FOR M138393)
11	M138395	STUD	4	NLA; ORDER MIU11736
11	MIU11736	BOLT	4	NLA; ORDER MIU12726
11	MIU12726	STUD	4	
12	M138388	PIN	6	
13	MIA10402	CYLINDER HEAD	1	CYLINDER NO. 1 (SUB FOR AM132473)
13	AM135296	CYLINDER HEAD	1	CYLINDER NO. 2 (SUB FOR AM132396)
14	M147908	ENGINE CYLINDER HEAD GASKET	2	
15	M140231	SNAP RING	2	
16	M149282	SEAL	1	(SUB FOR M138391)
17	M138392	SEAL	1	NLA; ORDER M151774
17	M151774	SEAL	1	
18	M150449	COVER	1	
18	MIU11292	COVER	1	(USE WITH MIA10990 AND MIA10964)
19	M140220	GASKET	1	
20	21M7244	SCREW	1	M4 X 8
21	M140223	PLATE	1	
22	M140229	VALVE	1	
23	M149281	SEAL	1	(SUB FOR M138390)
23	M150948	SEAL	1	(USE WITH MIA10990 AND MIA10964)
24	M127431	ADAPTER FITTING	1	

KEY	PART NO.	PART NAME	QTY	REMARKS
25	AM132504	CRANKCASE	1	
25	AM133930	CRANKCASE	1	(USE WITH MIA10990)
25	MIA10962	CRANKCASE	1	(USE WITH MIA10964)
26	19H1906	CAP SCREW	3	5/16" X 1-1/2", (SUB FOR D14147)
27	24H1887	WASHER	3	11/32" X 1" X 0.134", (USE WITH D14147) (SUB FOR D24033)
28	M63277	LOCK NUT	4	
29	M150948	SEAL	1	USE WITH MIA10964
30	AM131990	GASOLINE ENGINE	1	(Not Illustrated) MARKED FH601V-AS17; ORDER MIA10990
30	AM132634	GASOLINE ENGINE	1	(Not Illustrated) MARKED FH601V-BS17; ORDER MIA10964
30	MIA10990	SHORT BLOCK ASSEMBLY	1	(Not Illustrated) SUB FOR MIA10991 OR AM132506
30	MIA10964	SHORT BLOCK ASSEMBLY	1	(Not Illustrated)
31	MIA11393	COVER KIT	1	(Not Illustrated) INCLUDES PART MARKED (A)



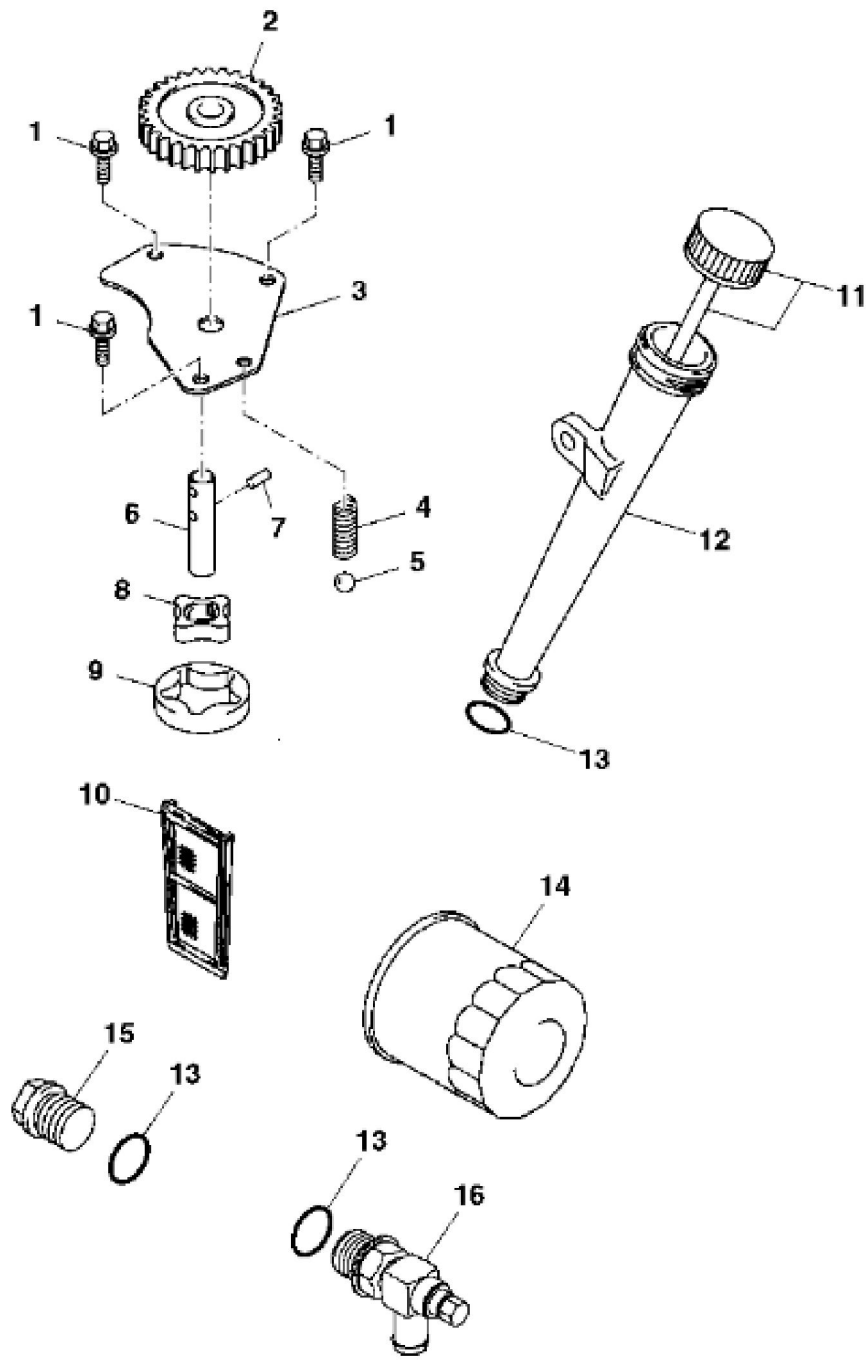
MP26225

KEY	PART NO.	PART NAME	QTY	REMARKS	
1	AM128738	PISTON RING KIT	2	STD	
1	AM132069	PISTON RING KIT	AR	0.50 MM (0.020") OS	
2	M138398	SNAP RING	4	(SUB FOR M140233)	
3	M138397	PISTON PIN	2		
4	M143319	PISTON	2	STD	
4	M146875	PISTON	AR	0.50 MM (0.020") OS	
5	M147310	BOLT	2	MARKED FH601V-AS17; SUB FOR PT12040	
5	M146763	BOLT	2	MARKED FH601V-BS17	
6	AM128740	CONNECTING ROD	2	(FH601V-AS17)	
6	MIA10804	CONNECTING ROD	2	(FH601V-BS17) (SUB FOR AM132025) (USE WITH MIA10964)	
7	AM132335	CRANKSHAFT	1	(FH601V-AS17)	
7	AM132429	CRANKSHAFT	1	(FH601V-BS17)	
7	AM133965	CRANKSHAFT	1	(USE WITH MIA10990)	
7	AM133931	CRANKSHAFT	1	(INCLUDES (4) M146763) (USE WITH MIA10964)	



PU00581

KEY	PART NO.	PART NAME	QTY	REMARKS
1	M138410	SCREW	4	
2	M92891	NUT	4	
3	M146876	ROCKER ARM	4	
4	M118845	RETAINER	8	
5	M146881	BOLT	4	
6	M138401	RETAINER	4	
7	M140241	SPRING	4	
8	M140234	INTAKE VALVE	2	
9	M147596	EXHAUST VALVE	2	
10	M146877	GUIDE	2	
11	M146879	PUSH ROD	4	
12	M138403	TAPPET	4	
13	M138415	WASHER	1	
13	M146882	WASHER	1	(USE WITH MIA10964)
14	M138411	SNAP RING	2	
15	MIU10708	SLEEVE	1	NLA; ORDER MIU13044; SUB FOR M138408 OR M149875
15	MIU13044	SLEEVE	1	
16	M146880	PLATE	1	(SUB FOR M138406)
17	M138413	EXTENSION SPRING	1	
18	MIU10971	BALL BEARING	6	(SUB FOR M138412)
19	M140238	GUIDE	1	
20	M140240	PLATE	1	
21	AM130638	CAMSHAFT	1	(SUB MIA10793) (ALSO ORDER M146882 AND MIU11231)
21	MIA10793	CAMSHAFT	1	(USE WITH MIA10964)
22	MIU11231	WASHER	1	(USE WITH MIA10964)



Thank you so much for reading.
Please click the “Buy Now!”
button below to download the
complete manual.



After you pay.

You can download the most
perfect and complete manual in
the world immediately.

Our support email:

ebooklibonline@outlook.com