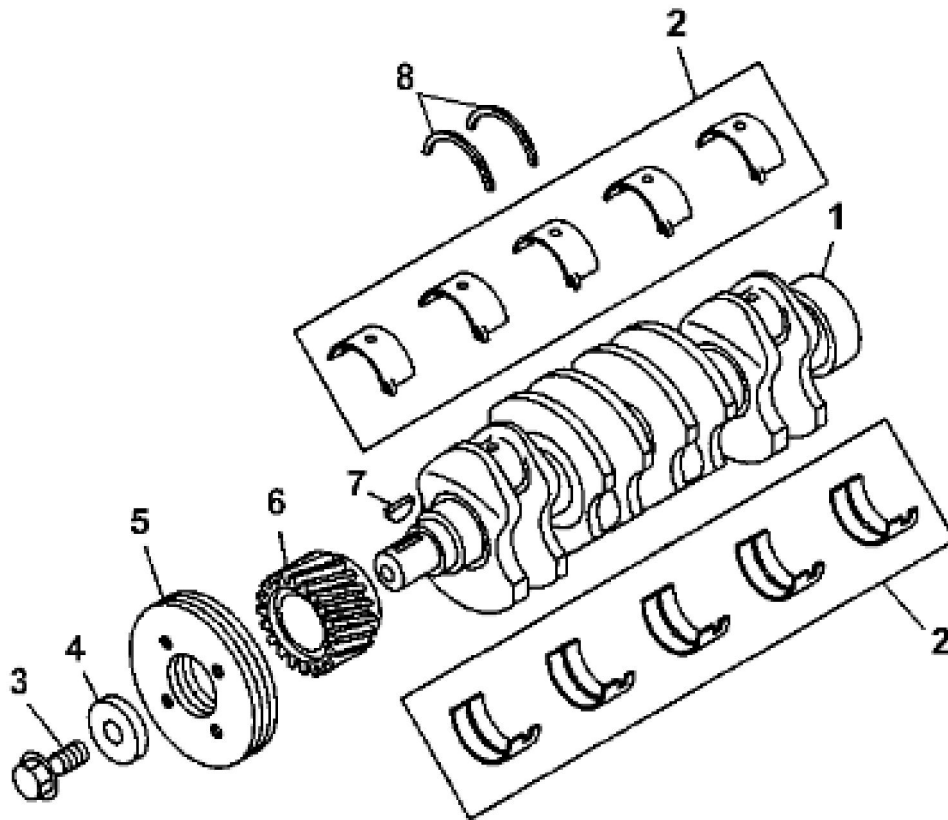
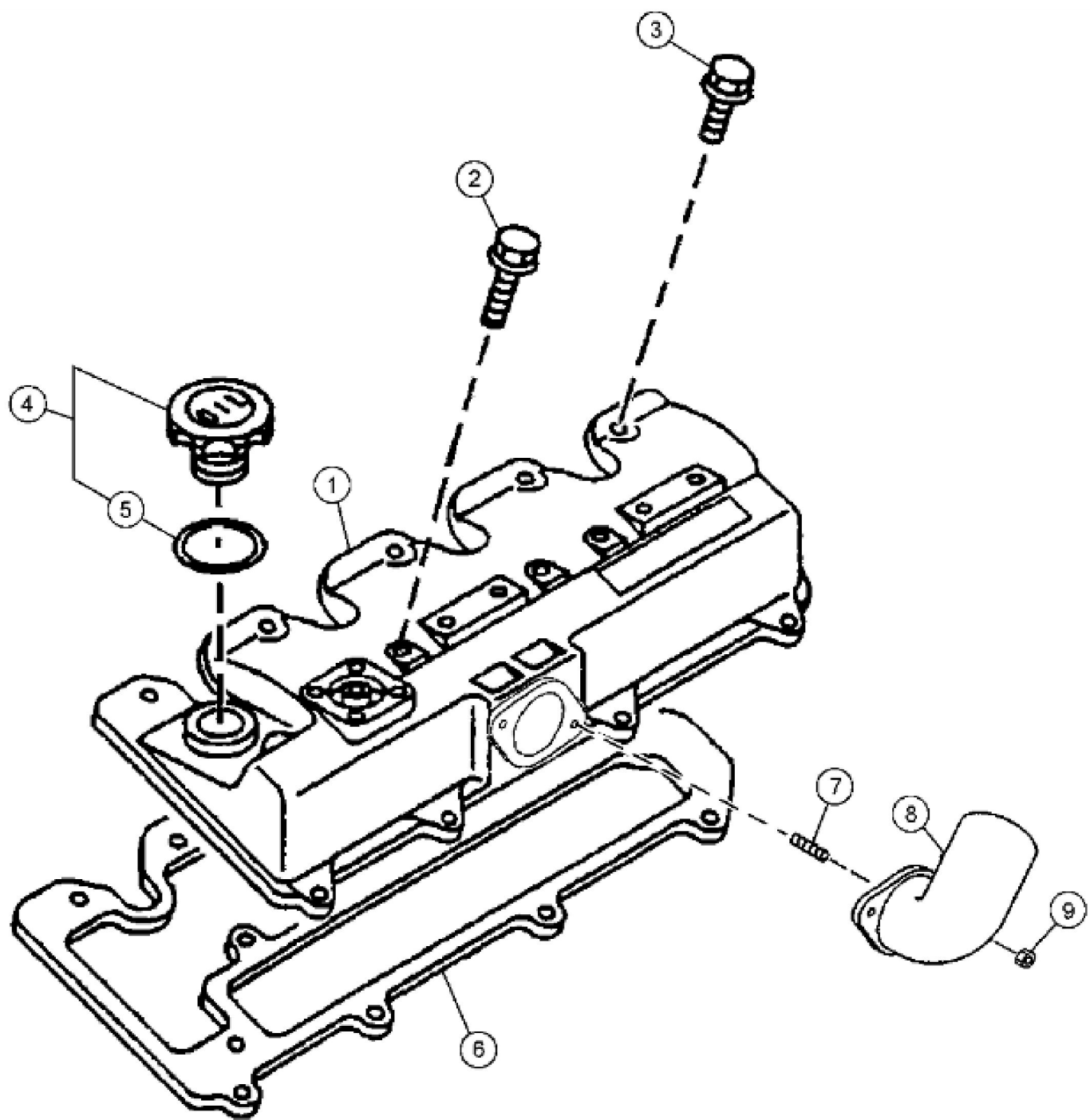


KEY	PART NO.	PART NAME	QTY	REMARKS
0	4LE2PA02	DIESEL ENGINE	1	4LE2PA02 NLA, SUB FOR 4466904
0A	4454526	FILTER ELEMENT	1	
0B	4445213	HALF SHEAVE	1	FAN BELT PULLEY
0C	8971808772	SUCTION FAN	1	SUB FOR AT197547 OR 8971808771
0D	4484695	MUFFLER	1	
2	8072298	BRACKET	1	
3	8072297	BRACKET	1	
7	19M7662	CAP SCREW	8	M10 X 30, SUB FOR AT255985
7	24M7096	WASHER	8	10.500 X 18 X 1.600 mm
7	12M7066	LOCK WASHER	8	10 mm
8	12M7068	LOCK WASHER	4	14 mm, SUB FOR J252214
9	4114404	WASHER	2	SUB FOR AT130666, SUB FOR 4086894
10	14M7435	NUT	4	M14, SUB FOR J231214
12	4272585	ISOLATOR	2	
15	4390496	ISOLATOR	4	
20	4276374	HOLDER	4	
21	19M7758	CAP SCREW	2	M12 X 130, SUB FOR 19M7415
22	24M7047	WASHER	4	13 X 24 X 2.500 mm, SUB FOR J254012
23	14M7275	NUT	2	M12
29	TY24398	BULK HOSE	1	SUB FOR 4383153
30	4339258	HOSE CLAMP	1	
31	8088410	BRACKET	1	
32	19M7938	CAP SCREW	2	M10 X 20, SUB FOR J051020
32	24M7096	WASHER	2	10.500 X 18 X 1.600 mm
32	12M7066	LOCK WASHER	2	10 mm



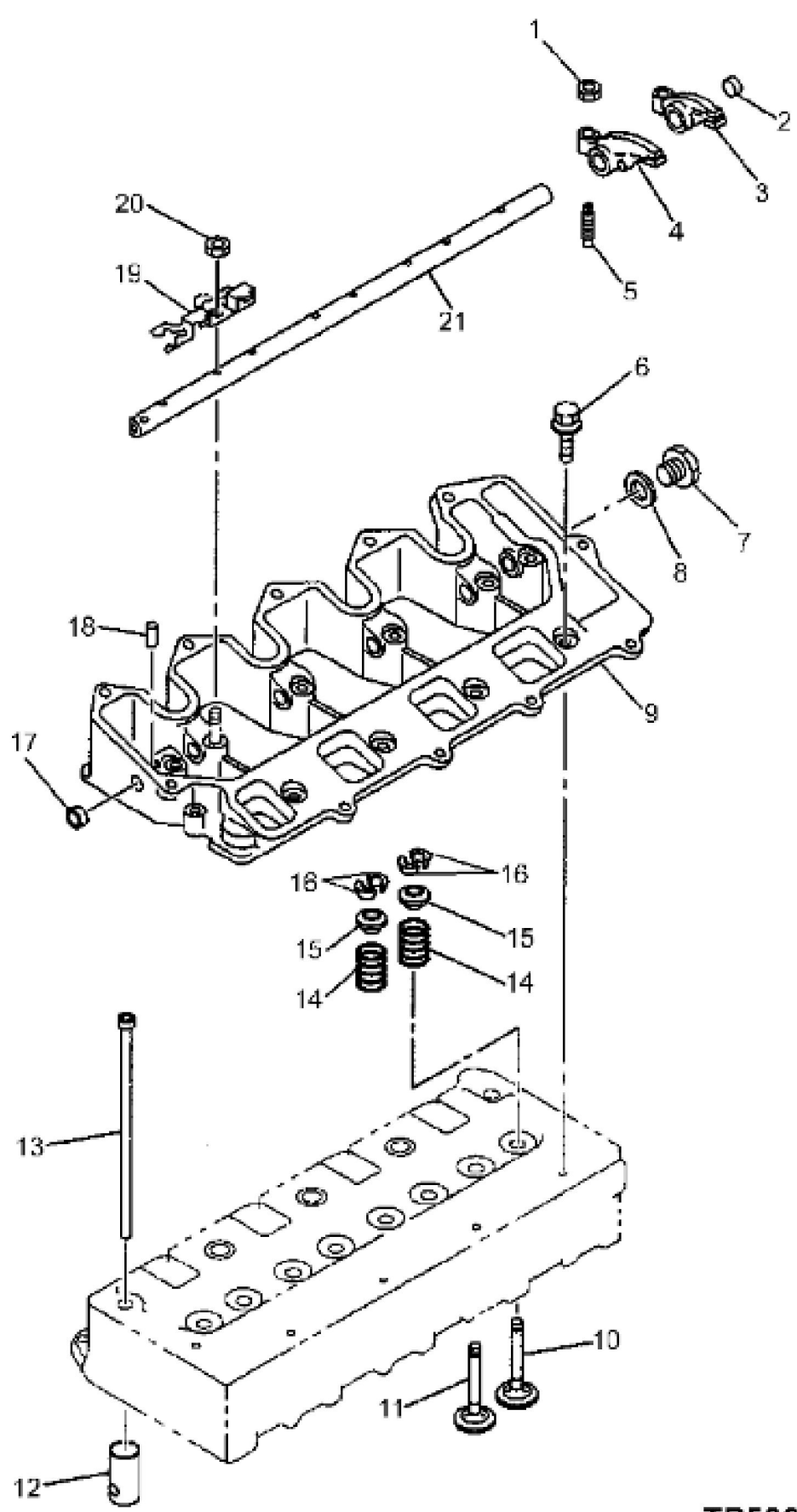
TP50054

KEY	PART NO.	PART NAME	QTY	REMARKS	
1	8980638280	CRANKSHAFT	1	SUB FOR 8972553375 OR 8972553374	
2	8980890840	CRANKSHAFT AND PISTON KIT	1	SUB FOR 8971412100 AND AT254956	
3	8943860790	BOLT	1	SUB FOR AT259977	
4	8941347920	WASHER	1	SUB FOR AT259963	
5	8973149060	PULLEY	1		
6	8973286120	GEAR	1	SUB FOR 8970345921	
7	8942016410	SHAFT KEY	1	SUB FOR AT254850	
8	8980637830	WASHER	2	SUB FOR AT254832 OR 5115990031	



John Deere > Turf And Utility > EXCAVATOR > 50C - EXCAVATOR > 50C ZTS Excavator > 04 ENGINE > 0402 CAMSHAFT AND VALVE ACTUATING MEANS > ST268697 - ROCKER ARM COVER AND INTAKE MANIFOLD

KEY	PART NO.	PART NAME	QTY	REMARKS
1	8972200093	COVER	1	
2	19M8321	SCREW	4	M6 X 45, (SUB FOR AT259922)
3	0280806200	CAP SCREW	9	(SUB FOR AT259919)M6 X 20 FLANGE
4	8941332075	FILLER CAP	1	(SUB FOR AT254847)
5	8941236231	GASKET	1	(SUB FOR AT254844)ALSO INCLUDED IN ENGINE GASKET SET
6	8972014661	GASKET	1	ALSO INCLUDED IN ENGINE GASKET SET
7	0410106160	STUD	2	(SUB FOR 8972621471)
8	8973149170	LINE	1	
9	8971378360	NUT	2	(SUB FOR AT260063)M6 FLANGE



Thank you so much for reading.
Please click the “Buy Now!”
button below to download the
complete manual.



After you pay.

You can download the most
perfect and complete manual in
the world immediately.

Our support email:

ebooklibonline@outlook.com