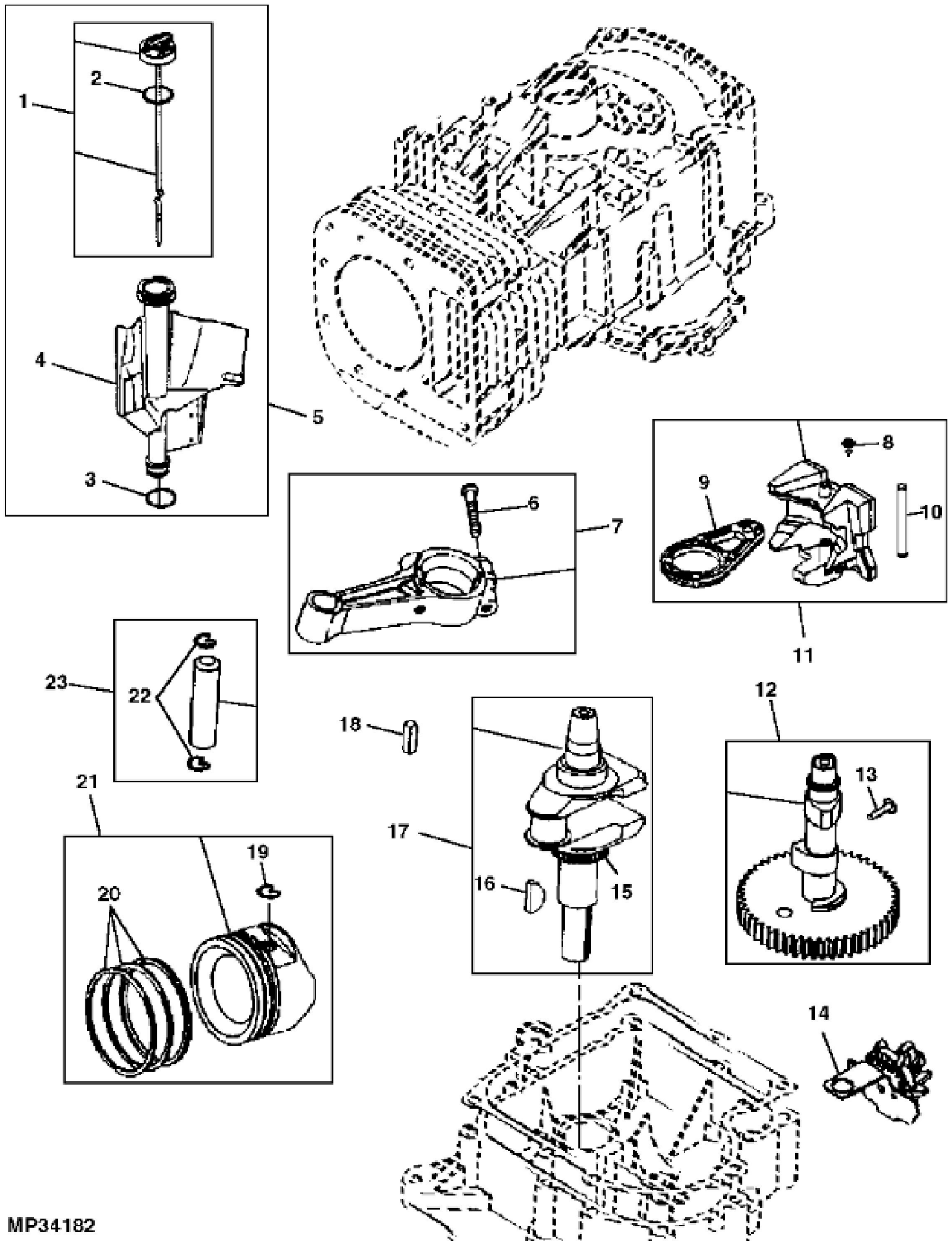


KEY	PART NO.	PART NAME	QTY	REMARKS
1	M147493	SCREEN	1	(SUB MIU11503)
2	37H43	SCREW	4	(ENGINE MARKED 31F707-0112-E1, 31F707-0112-E3, 31F707-0114-E1)
2	M152566	SCREW	4	(ENGINE MARKED 31F707-0129-E1, 31F707-0132-E1, 31P707-0124-E1)
3	LG690582	WASHER	1	
4	LG691058	BOLT	2	(ENGINE MARKED 31F707-0112-E1, 31F707-0112-E3, 31F707-0114-E1, 31F707-0129-E1)
4	MIU12152	SCREW	2	(ENGINE MARKED 31F707-0132-E1, 31P707-0124-E1) (SUB FOR LG690372)
5	LG690452	RETAINER	1	
6	M147494	FAN	1	(ENGINE MARKED 31F707-0112-E1, 31F707-0112-E3, 31F707-0114-E1)
6	MIU11503	FAN	1	(NLA) (ENGINE MARKED 31F707-0129-E1, 31F707-0132-E1, 31P707-0124-E1) (SUB FOR M152561) (SUB MIA11519)
7	AM132343	FLYWHEEL	1	ENGINE MARKED 31F707-0112-E1, 31F707-0112-E3, 31F707-0114-E1, 31F707-0129-E1; ORDER AUC10649; ALSO ORDER MIU13972
7	AM135134	FLYWHEEL	1	(ENGINE MARKED 31F707-0132-E1, 31P707-0124-E1)
7	AUC10649	FLYWHEEL	1	
8	LG691265	SNAP RING	1	
9	LG693713	PINION	1	STARTER
10	M147508	SCREW	2	
11	MIU11682	TUBE	1	BREATHER, (SUB FOR M147499)
12	M147500	COVER	1	NLA, ORDERMIU11631
12	MIU11631	COVER	1	
13	M147564	GASKET	1	
14	M147507	SCREW	2	
15	M147501	BREATHER	1	REED
16	MIA11419	CYLINDER BLOCK	1	(SUB FOR AM132374 OR MIA11101)
17	LG399265	BEARING	1	NLA; ORDER MIA11778; Bushing W/Seal
17	MIA11778	SEAL KIT	1	Bushing W/Seal
18	LG391086S	SEAL	1	(MAGNETO SIDE)
19	LG690959	DOWEL PIN	1	

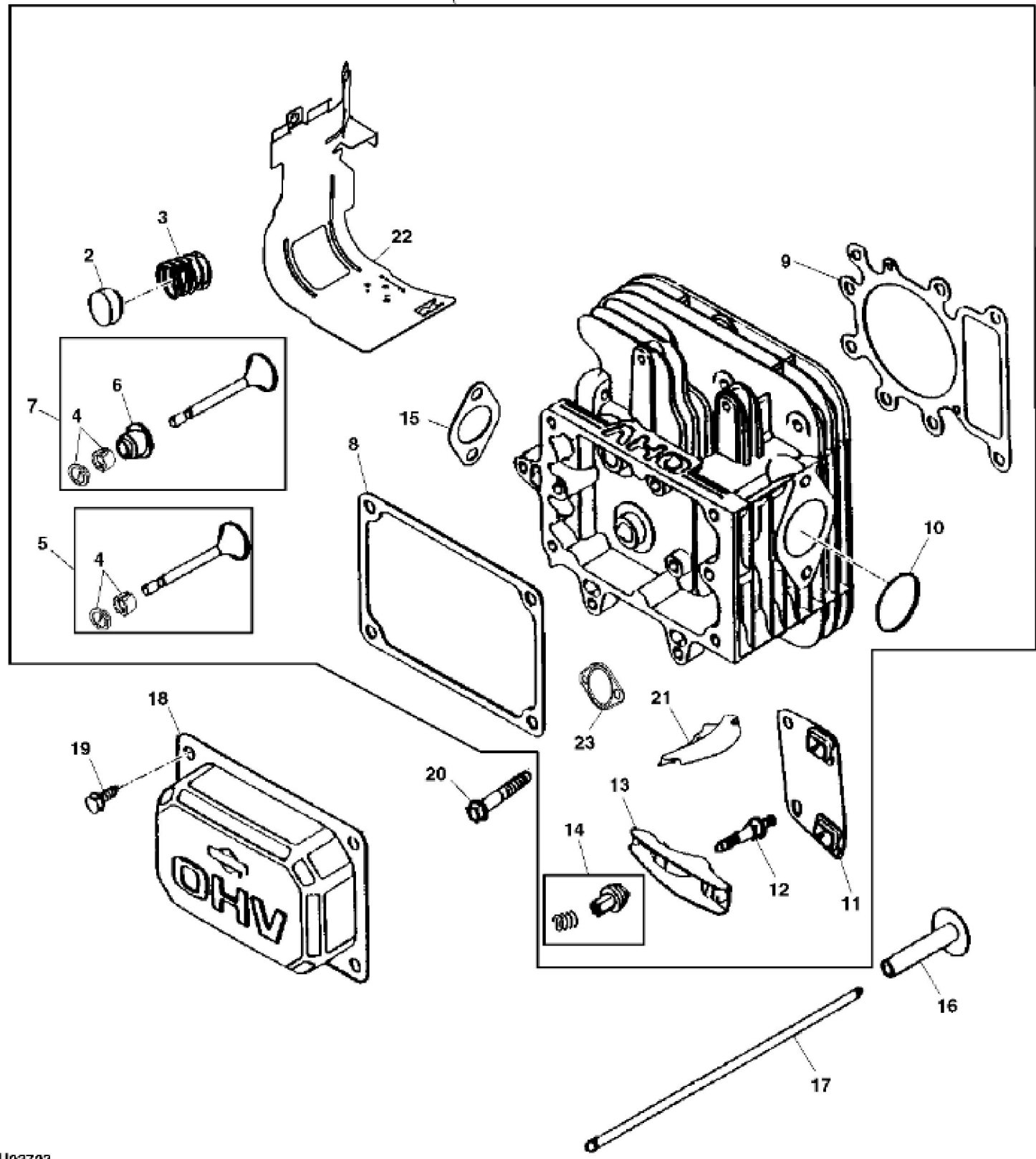
KEY	PART NO.	PART NAME	QTY	REMARKS
20	M147497	BUSHING	1	GOVERNOR
21	LG692407	SEAL	1	GOVERNOR
22	M147513	GASKET	1	
23	MIU11958	SEAL	1	PTO SIDE, (SUB FOR LG690947 OR MIU11212)
24	AM132352	RESERVOIR	1	
25	AM131611	TUBE	1	OIL DRAIN
26	.....	OIL TUBE	1	
27	T77932	O-RING	1	
28	M144897	CAP	1	
29	GC00331	BOLT	4	NLA; ORDER GX24210; Engine Mounting
29	GX24210	SCREW	4	
30	LG692125	CAP SCREW	12	
31	15H623	PIPE PLUG	1	3/8", (SUB FOR LG690946)
32	M153303	SCREW	1	
33	MIU11635	PLUG	1	(A)
34	MIA13017	SCREEN KIT	1	(A) SUB FOR MIU11634 AND MIA11525
35	MIU11638	SCREW	2	(A)
36	MIU12139	FLYWHEEL	1	(A) FAN
37	LG690954	THREADED NIPPLE	1	
38	AM125424	OIL FILTER	1	SUB FOR MIU11439
39	MIU13972	KEY	1	USE WITH AUC10649
..	AM131774	GASOLINE ENGINE	1	MARKED 31F707-0112-E1; ORDER MIA13106
..	AM133767	GASOLINE ENGINE	1	MARKED 31F707-0112-E3; ORDER MIA13106
..	AM133098	GASOLINE ENGINE	1	MARKED 31F707-0114-E1; ORDER MIA13106
..	AM134703	GASOLINE ENGINE	1	MARKED 31F707-0129-E1; ORDER MIA13106
..	MIA10359	GASOLINE ENGINE	1	MARKED 31F707-0132-E1; ORDER MIA13106
..	MIA11015	GASOLINE ENGINE	1	MARKED 31P677-0134-G1; ORDER MIA13106; SUB FOR MIA10805
..	MIA13106	GASOLINE ENGINE	1	MARKED 33R877-0025-G1
..	MIA11519	FLYWHEEL KIT	1	(INCLUDES PARTS MARKED (A))



KEY	PART NO.	PART NAME	QTY	REMARKS
1	AM135145	DIPSTICK	1	
2	LG691031	O-RING	1	
3	LG691032	SEAL	1	
4	M152554	DIPSTICK TUBE	1	
5	AM135144	DIPSTICK TUBE	1	(SUB FOR AM132353)
6	MIU11051	SCREW	1	(SUB FOR LG692852)
7	MIA10624	ROD	1	(SUB FOR AM132346)
8	MIU11437	PLUG	1	
9	MIU11436	LINK	1	(SUB FOR M152555)
10	M152556	PIN	1	
11	MIA10989	COUNTERWEIGHT	1	(SUB FOR AM132354)
12	AM135141	CAMSHAFT	1	(ENGINE MARKED 31F707-0112-E1, 31F707-0112-E3, 31F707-0114-E1, 31F707-0129-E1, 31F707-0132-E1) (SUB FOR LG693450 OR M150105)
12	MIA11377	CAMSHAFT	1	(ENGINE MARKED 31P707-0124-E1) (SUB FOR MIA10915)
13	LG690564	TAPPET	2	
14	LG691968	GEAR	1	GOVERNOR
15	M147512	GEAR	1	TIMING
16	LG691639	SHAFT KEY	1	
17	MIA11844	CRANKSHAFT	1	(SUB FOR AM132351)
18	LG222698S	SHAFT KEY	1	FLYWHEEL
19	M152553	LOCK	1	(SUB FOR M147509)
20	MIA10691	PISTON RING KIT	1	STD (ENGINE MARKED 31F707-0112-E1, 31F707-0112-E3, 31F707-0114-E1, 31F707-0129-E1, 31F707-0132-E1)SUB FOR M150897; SUB FOR M147570; USE WITH AM134715
20	MIU11639	PISTON RING KIT	1	.50 MM (.020") OS, (ENGINE MARKED 31P707-0124-E1) (SUB FOR MIA10692 OR M147571)
21	MIA11421	PISTON	1	STD, (SUB FOR AM132375 OR MIA10844 OR AM134715 OR MIA10981 OR MIA10690)
21	AM132376	PISTON	1	.50 MM (.020") OS, (ENGINE MARKED 31F707-0112-E1, 31F707-0112-E3)
21	MIA11430	PISTON	1	.50 MM (.020") OS, (SUB FOR AM134716 OR MIA10918 OR MIA10858)
22	M152553	LOCK	2	(SUB FOR M147509)

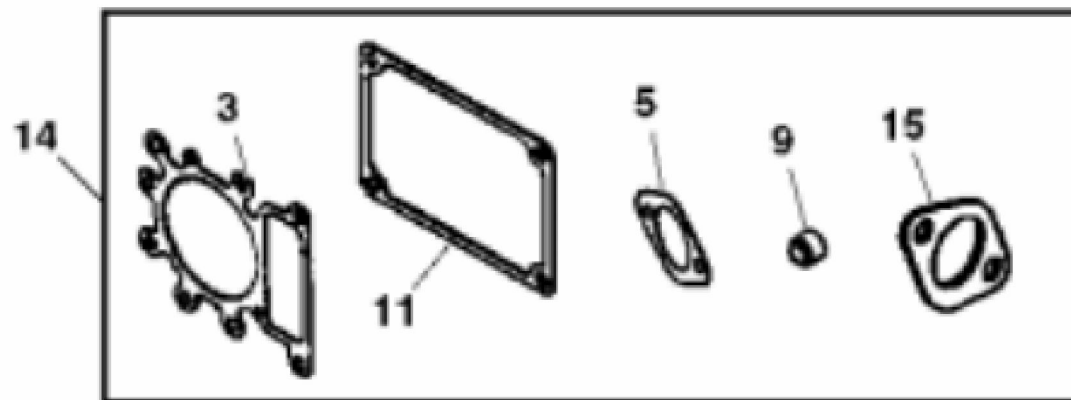
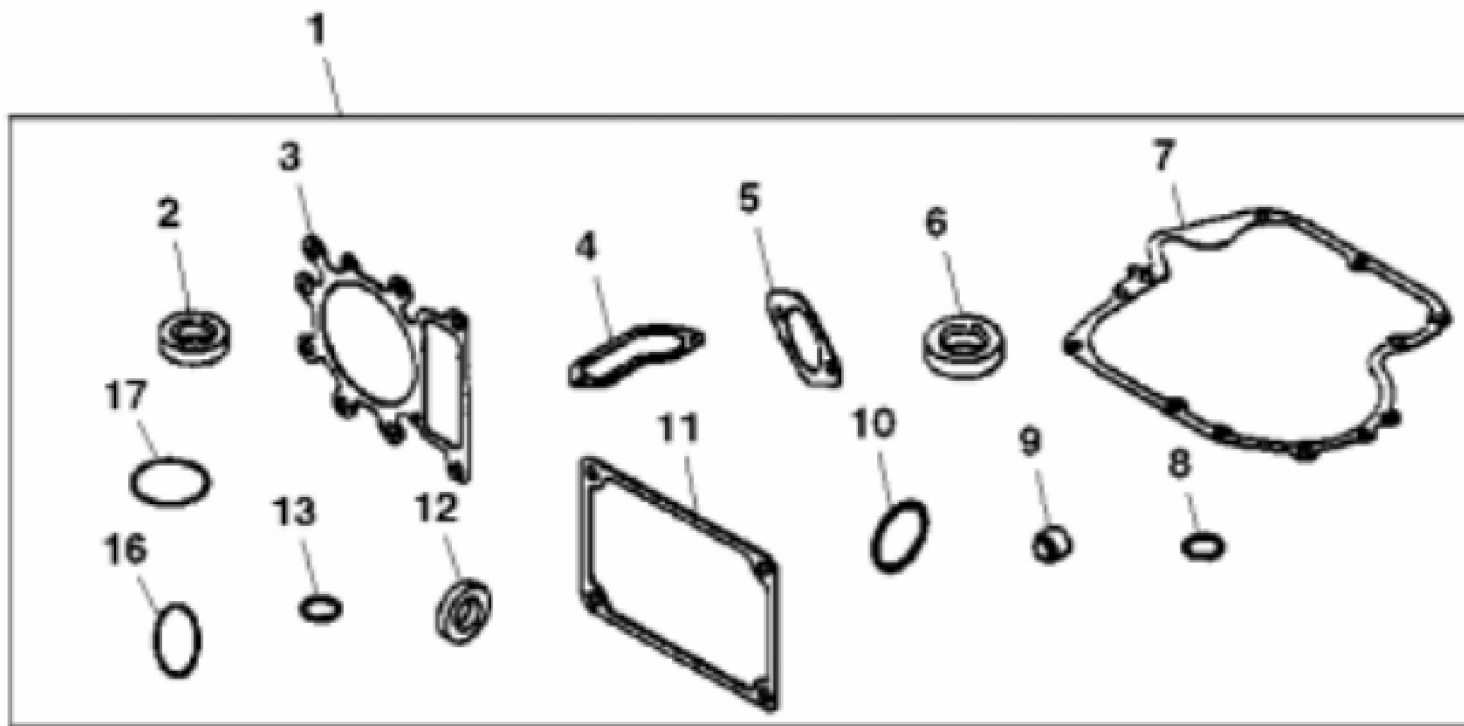
KEY	PART NO.	PART NAME	QTY	REMARKS	
23	AM132347	PISTON PIN	1		

1



## &gt;ST645533 - CYLINDER HEAD

KEY	PART NO.	PART NAME	QTY	REMARKS
1	MIA11468	CYLINDER HEAD	1	(SUB FOR MIA11079 OR MIA10785 OR AM132971 OR AM132972)
2	LG691843	CAP	2	
3	LG691279	SPRING	2	
4	LG499586	RETAINER	1	(SUB FOR LG691752 OR M144618)
5	MIA11214	EXHAUST VALVE	1	(SUB FOR MIA10688 OR AM134724 OR AM132546 OR AM133877)
6	LG690968	SEAL	1	
7	MIA10689	INTAKE VALVE	1	(SUB FOR M149939 OR LG495857)
8	LG272475S	GASKET	1	
9	MIU11490	ENGINE CYLINDER HEAD GASKET	1	(SUB FOR LG692410 OR M150400)
10	LG692138	O-RING	1	
11	LG690822	GUIDE	1	
12	LG691095	STUD	2	
13	LG691751	ROCKER ARM	2	
14	LG691986	ADJUSTER	2	
15	M144311	GASKET	1	INTAKE
16	LG690564	TAPPET	2	
17	LG692003	PUSH ROD	1	INTAKE
17	LG692011	PUSH ROD	1	EXHAUST
18	MIU12708	COVER	1	(ROCKER ARM) (INCLUDES LG272475S) (SUB FOR LG692492 OR MIU11055)
19	37H73	SCREW	4	(ENGINE MARKED 31F707-0112-E1, 31F707-0112-E3)
19	LG691108	SCREW	4	(ENGINE MARKED 31F707-0114-E1, 31F707-0129-E1, 31F707-0132-E1, 31P707-0124-E1)
20	LG690360	BOLT	8	
21	M152565	GUARD	1	FLYWHEEL (ENGINE MARKED 31F707-0129-E1, 31F707-0132-E1, 31P707-0124-E1) (USE WITH MIA11079)
22	MIU11713	SHIELD	1	CYLINDER
23	LG692236	GASKET	1	EXHAUST



Thank you so much for reading.  
Please click the “Buy Now!”  
button below to download the  
complete manual.



After you pay.

You can download the most  
perfect and complete manual in  
the world immediately.

Our support email:

[ebooklibonline@outlook.com](mailto:ebooklibonline@outlook.com)