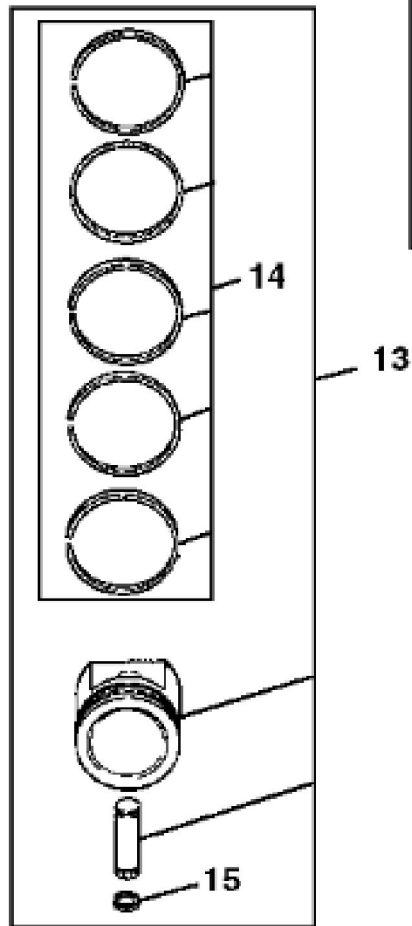
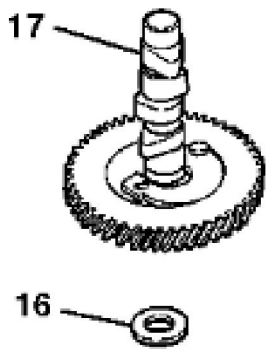
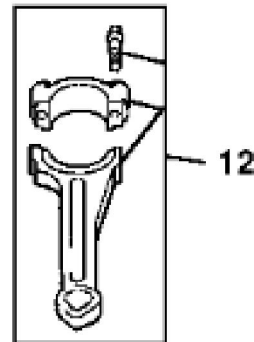
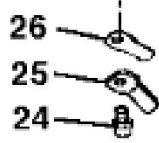
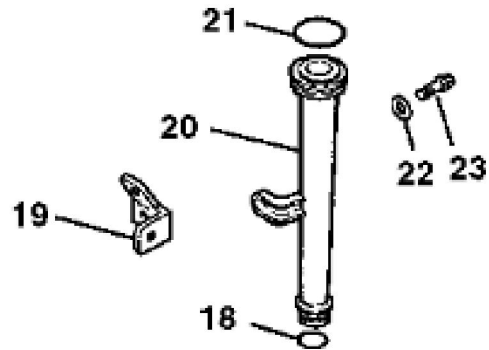
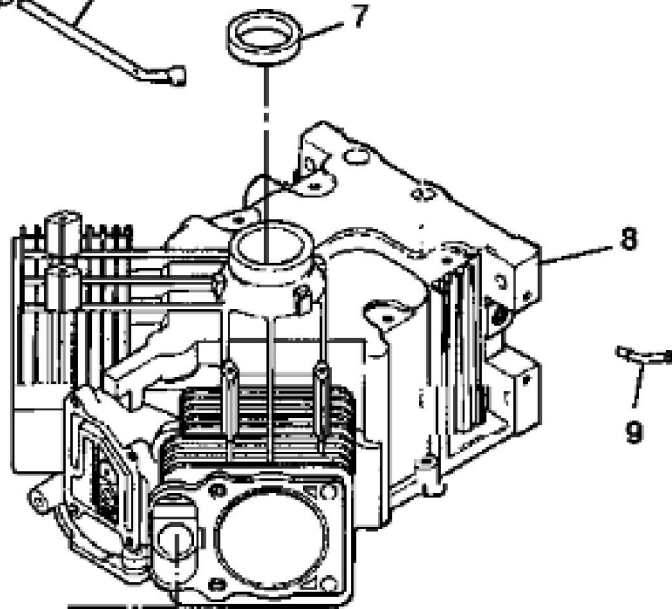
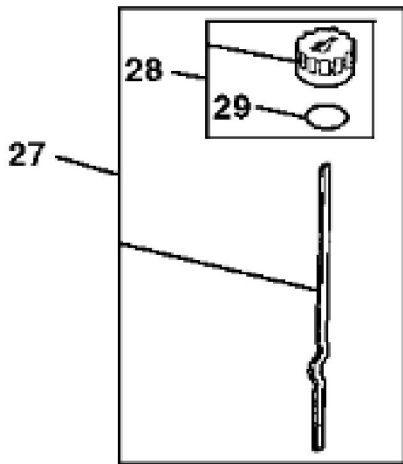
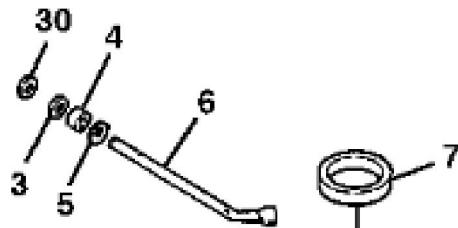
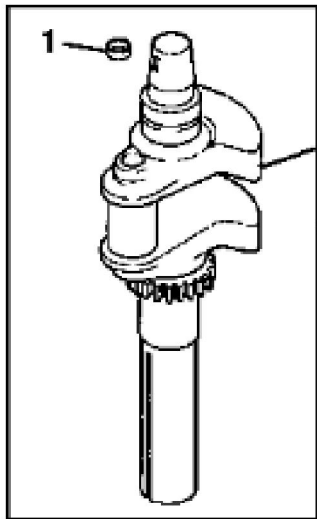


MP30620

KEY	PART NO.	PART NAME	QTY	REMARKS
1	M148338	GROMMET	1	(SUB FOR M134911)
1	MIU13209	GROMMET	1	USE WITH MIA12725
2	M132350	SCREW	4	
3	M149188	O-RING	1	
4	AM134352	VALVE COVER	1	RH (W/BREATHER) (SUB FOR AM126264)
5	AM130723	CYLINDER HEAD	1	(NO. 1)
6	AM107043	RETAINER	4	
7	M92203	CAP	4	
8	M132352	SPRING	4	
9	M43123	RETAINER	4	
10	M146775	SEAL	2	
11	M132353	INTAKE VALVE	2	(STD)
11	M132354	INTAKE VALVE	2	.25 MM (.010") OS
12	M132355	EXHAUST VALVE	2	(STD)
12	M132356	EXHAUST VALVE	2	.25 MM (.010") OS
13	MIU12491	GASKET	1	(SUB FOR M132366 OR M150647)
14	M148331	COVER	1	
15	AM126260	BREATHER	1	
16	37M7131	SCREW	4	M6 X 20
17	MIU13278	VALVE LIFTER	4	SUB FOR M137271 or MIU11034 or MIU12989
18	M132357	PUSH ROD	4	(A)
19	M141731	ENGINE CYLINDER HEAD GASKET	2	
20	AM130722	CYLINDER HEAD	1	(NO. 2)
21	M143942	STUD	8	
22	M143943	WASHER	8	
23	M143944	NUT	8	
24	M132363	STRAP	1	NLA; ORDER MIU12948
24	MIU12948	STRAP	1	
25	AM134290	VALVE COVER	1	(LH) (SUB FOR AM124983)
26	19M8290	SCREW	4	M6 X 35
27	MIU11263	PIVOT	4	(A) (SUB FOR M132359)
28	M131133	ROCKER ARM	4	(A)
29	MIU11344	HOSE	1	BREATHER, (SUB FOR M148324 OR MIU10956)
30	M134912	STRAP	1	
31	MIU14033	SCREW	2	

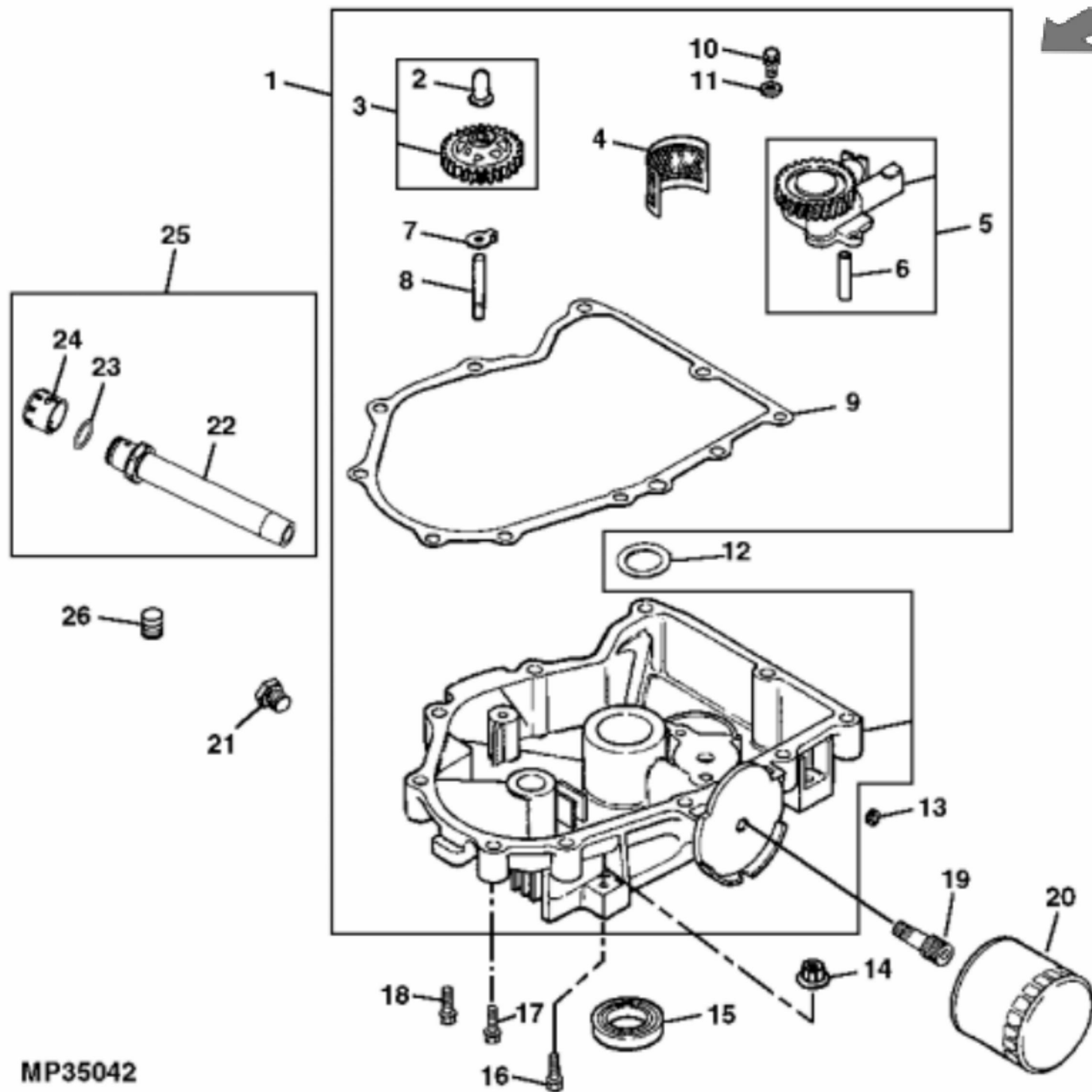
KEY	PART NO.	PART NAME	QTY	REMARKS	
31	MIU12950	SCREW	2	USE WITH MIA12725	
32	M134913	BRACKET	1		
33	M134914	SPACER	1		
34	AM126265	KIT	1	NLA; ORDER MIA12725; Breather Separator	
34	MIA12725	SEPARATOR KIT	1		
35	15H558	PIPE PLUG	1	1/8"	
..	AM125389	VALVE TRAIN KIT	1	VALVE TRAIN (INCLUDES PARTS MARKED (A))	



MP30621

KEY	PART NO.	PART NAME	QTY	REMARKS
1	M76215	PLUG	1	
2	MIA11970	CRANKSHAFT	1	(SUB FOR AM128620)
3	M143936	WASHER	1	
4	M143970	SEAL	1	
5	M143939	WASHER	1	
6	M148328	SHAFT	1	GOVERNOR CROSS
7	MIU11539	SEAL	1	(SUB FOR M132338)
8	AM130725	CYLINDER BLOCK	1	
9	M134898	FITTING	1	
10	PLUG	1	
11	MIU11251	DOWEL PIN	4	(SUB FOR M144516)
12	MIU12971	CONNECTING ROD	2	NLA; ORDER MIU13923; STD; SUB FOR M134452 OR MIU11256
12	MIU13923	CONNECTING ROD	2	
12	MIA11130	CONNECTING ROD	2	.25 MM (.010") US, (SUB FOR M134453 OR MIA10907)
13	MIA11859	PISTON KIT	2	(STD) (SUB FOR AM129625 OR MIA10998)
13	AM129626	PISTON REPLACEMENT KIT	2	.50 MM (.020") OS
14	MIA11220	PISTON RING KIT	1	(STD) (SUB FOR AM129627)
14	AM129628	PISTON RING KIT	1	.50 MM (.020") OS
15	M132341	RETAINER	2	
16	M118585	SHIM	AR	RED
16	M118584	SHIM	AR	BLACK
16	M93955	SOLID SHIM	AR	WHITE
16	M97015	SOLID SHIM	AR	BLUE
16	M96817	SOLID SHIM	AR	YELLOW
16	M96818	SOLID SHIM	AR	GREEN
16	M96819	SOLID SHIM	AR	GRAY
17	M137492	CAMSHAFT	1	
18	M92193	O-RING	1	
19	M134901	BRACKET	1	
20	MIU11957	TUBE	1	(SUB FOR M92192)
21	M92194	O-RING	1	
22	24M7087	WASHER	1	5.500 X 10 X 1 mm
23	19M7373	CAP SCREW	1	M5 X 20
24	M93483	SCREW	2	

KEY	PART NO.	PART NAME	QTY	REMARKS	
25	M134899	RETAINER	2		
26	M134900	BREATHER	2		
27	AM126257	DIPSTICK	1		
28	AM124450	FILLER CAP	1		
29	M148124	O-RING	1	(SUB FOR M92195)	
30	M143941	SNAP RING	1		
..	AM132834	ENGINE	1	(MARKED CV23S-75569) (SUB AM132251)	
..	AM132251	SHORT BLOCK ASSEMBLY	1		
..	AM117019	GEAR KIT	1	NLA; GEAR	



MP35042

Thank you so much for reading.
Please click the “Buy Now!”
button below to download the
complete manual.



After you pay.

You can download the most
perfect and complete manual in
the world immediately.

Our support email:

ebooklibonline@outlook.com