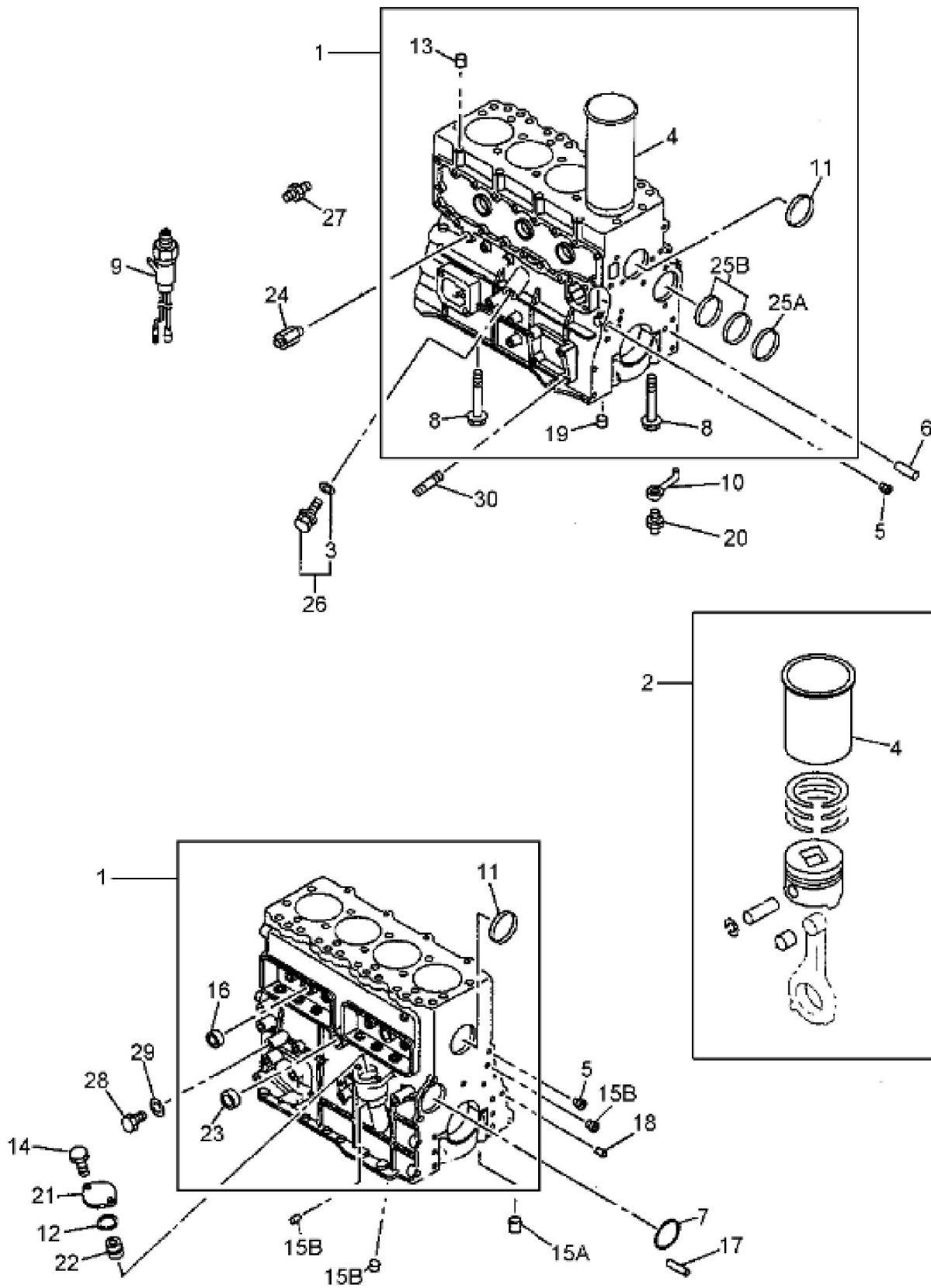
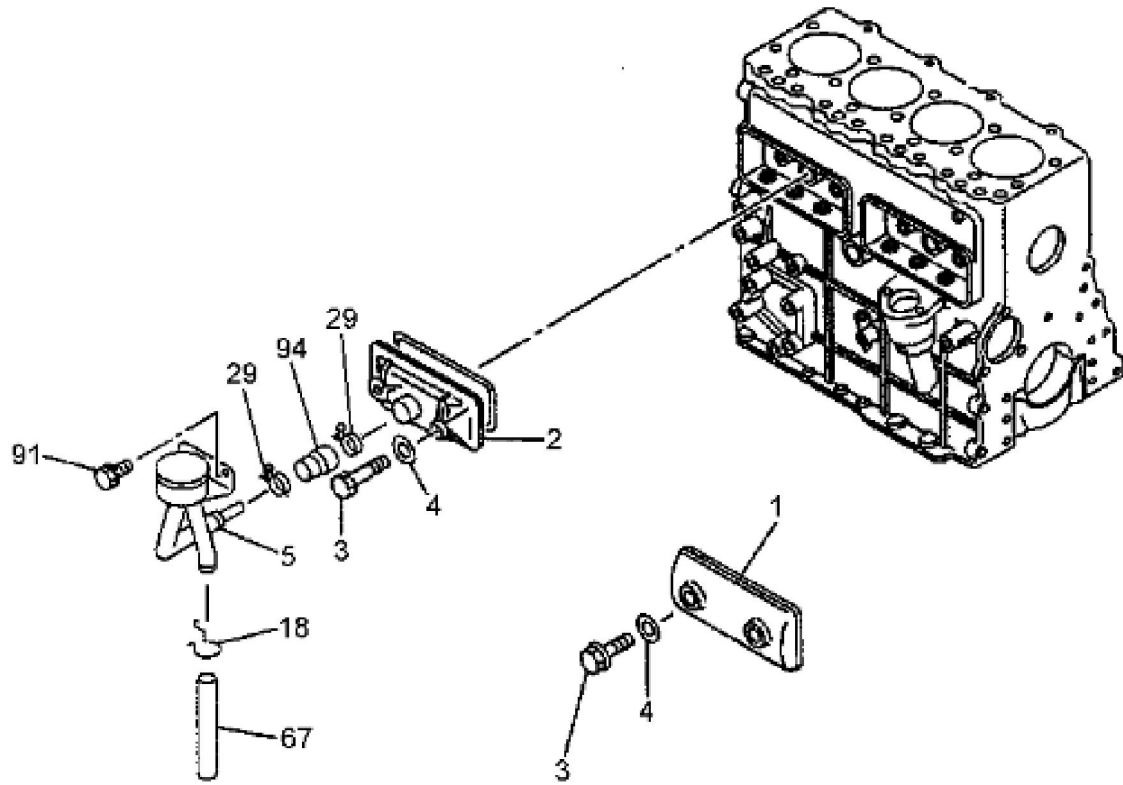


KEY	PART NO.	PART NAME	QTY	REMARKS	
1	8972237600	COVER	1		
2	9111750120	NUT	3		
3	9111791050	WASHER	3		
4	8943997230	FILLER CAP	1		
5	8943996890	O-RING	1		
6	1096390320	PACKING	3		
7	8973262510	PACKING	1	(SUB FOR 5111730160)	



KEY	PART NO.	PART NAME	QTY	REMARKS
1	8971239542	CYLINDER BLOCK	1	
2	5878146612	PISTON-LINER KIT	4	GRADE=1, SUB FOR 5878146611, 5878141000 OR 5878144590
2	5878146621	CYLINDER LINER	4	GRADE=2, SUB FOR 5878141010
2	5878146631	PISTON-LINER KIT	4	GRADE=3, SUB FOR 5878141020, 5878144610 OR 5878146630
2	5878146642	PISTON-LINER KIT	4	GRADE=4, SUB FOR 5878146641 AND 5878141030
3	5096230350	GASKET	1	
4	CYLINDER LINER	4	1112612480 NLA, OD, GRADE=1 / ID, GRADE=AX
4	CYLINDER LINER	4	1112612490 NLA, OD, GRADE=1 / ID, GRADE=CX
4	CYLINDER LINER	4	1112612500 NLA, OD, GRADE=2 / ID, GRADE=AX
4	CYLINDER LINER	4	1112612510 NLA, OD, GRADE=2 / ID, GRADE=CX
4	CYLINDER LINER	4	1112612520 NLA, OD, GRADE=3 / ID, GRADE=AX
4	CYLINDER LINER	4	1112612530 NLA, OD, GRADE=3 / ID, GRADE=CX
4	CYLINDER LINER	4	1112612540 NLA, OD, GRADE=4 / ID, GRADE=AX
4	CYLINDER LINER	4	1112612550 NLA, OD, GRADE=4 / ID, GRADE=CX
5	1096050681	PIPE PLUG	2	
6	1097400780	PIN FASTENER	1	
7	8943444620	PACKING	1	
8	1090004692	BOLT	10	SUB FOR 1090004691
9	8982497240	OIL PRESSURE WARNING SWITCH	1	Oil Pressure, SUB FOR 1824101990 OR 8973243730
10	1133421321	NOZZLE	4	SUB FOR 1133421320
11	1096000521	BEARING CUP	2	SUB FOR 1096000520
12	1096234650	GASKET	1	
13	8941480790	DOWEL PIN	2	
14	19M7866	SCREW	2	M8 X 20
15A	5096050050	PIPE PLUG	1	SUB FOR AT254825
15B	5096050180	PLUG	7	
16	1096000122	PLUG	2	SUB FOR AT254809 OR 1096000121
17	9081510180	DOWEL PIN	2	
18	9081508160	PIN FASTENER	2	SUB FOR AT255014
19	5112570011	DOWEL PIN	1	
20	8973296180	JET	4	SUB FOR 1131610120
21	1112191291	COVER	1	
22	5112240040	BUSHING	1	

KEY	PART NO.	PART NAME	QTY	REMARKS	
23	5112190140	PACKING	1		
24	1096800250	HAND OPERATED VALVE	1		
25A	9116910481	BEARING	1	SUB FOR 9116910480	
25B	9116930351	BEARING	2	SUB FOR 9116930350	
26	8943930771	FLOW CONTROL HYD. VALVE	1		
27	5096600330	THREADED NIPPLE	1		
28	9992023140	PIPE PLUG	1	SUB FOR AT255036	
29	9095720140	PACKING	1	SUB FOR AT255026	
30	1093000130	STUD	1		



KEY	PART NO.	PART NAME	QTY	REMARKS	
1	8972221041	COVER	1		
2	1112902541	COVER	1		
3	8943675301	BOLT	2	M8 X 56	
3	8944299951	BOLT	2	M8 X 84	
4	9095720080	GASKET	4		
5	8972533510	BREATHER	1		
6	GASKET	2	(8943673681 NLA)	
18	5097040331	CLIP	1		
29	TY22495	HOSE CLAMP	1	(SUB FOR 1097040660 AND 9099155121)	
29	TY22485	HOSE CLAMP	1		
67	8941376820	HOSE	1		
91	8973780750	BOLT	2	(SUB FOR 0280808120, 8943126990 OR 8943126991)M8 X 12	
94	8972242050	HOSE	1		

Thank you so much for reading.
Please click the “Buy Now!”
button below to download the
complete manual.



After you pay.

You can download the most
perfect and complete manual in
the world immediately.

Our support email:

ebooklibonline@outlook.com