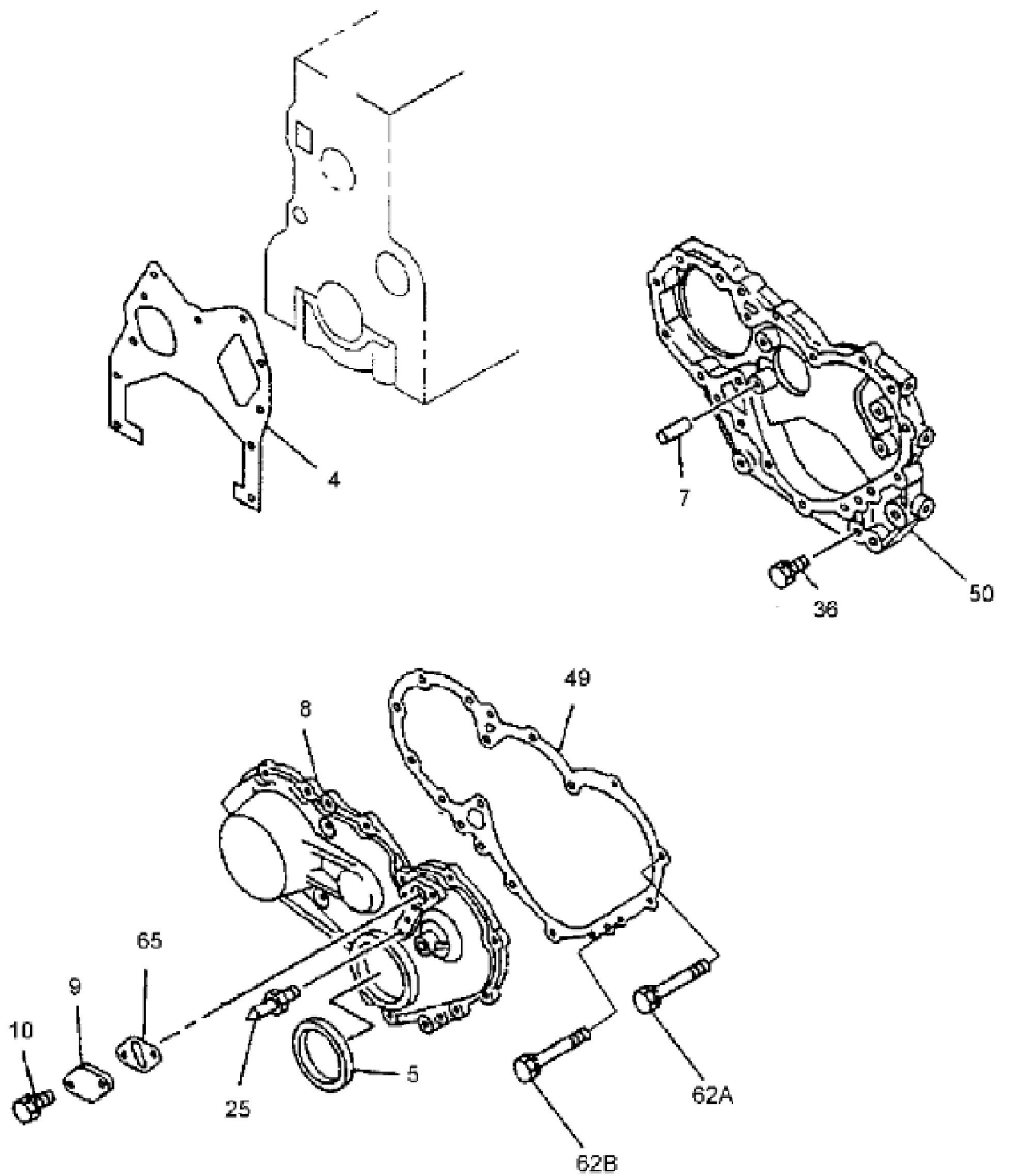


T162752

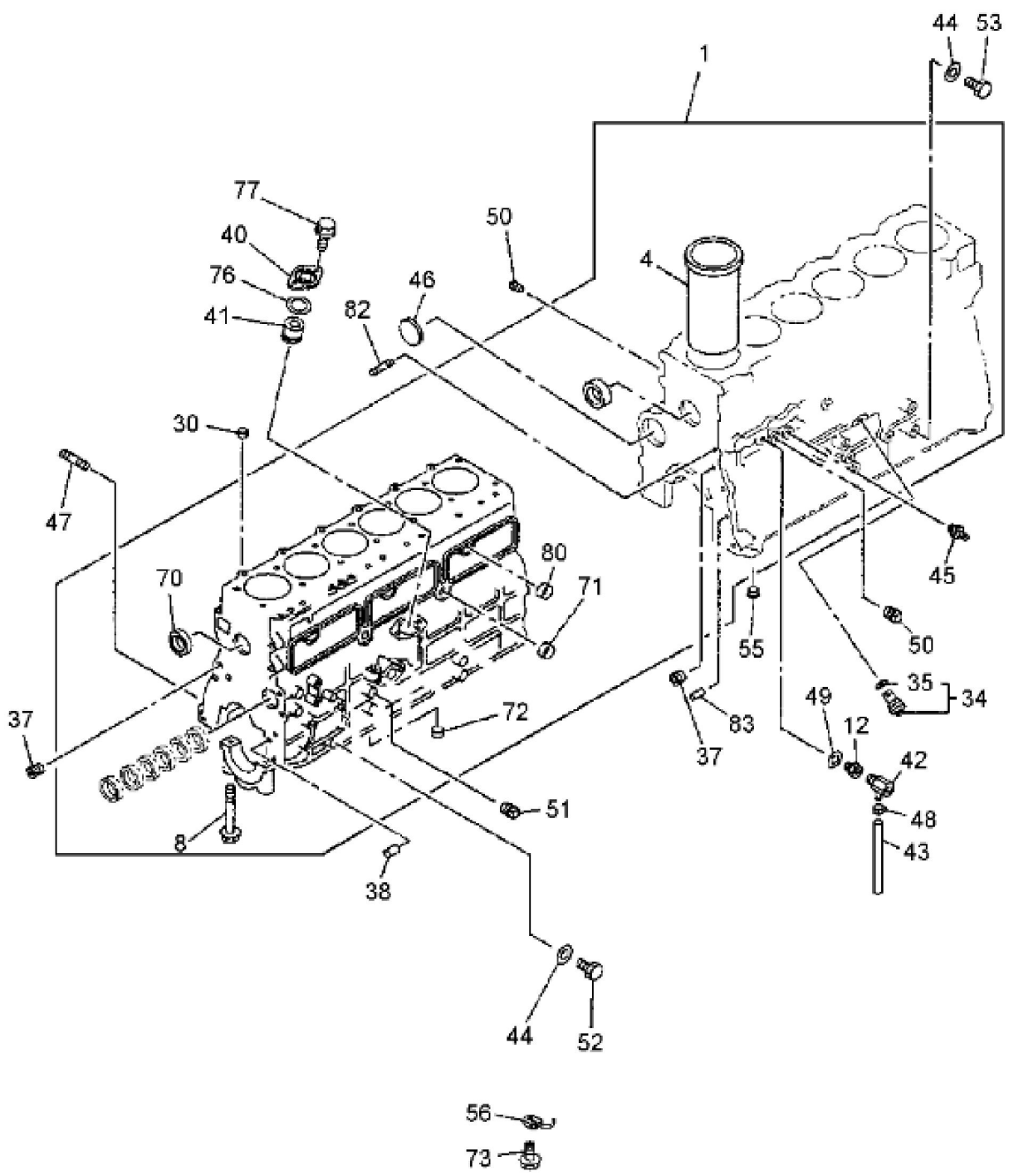
KEY	PART NO.	PART NAME	QTY	REMARKS	
1	1111803601	COVER	1		
2	9111750120	NUT	4		
3	9111791050	WASHER	4		
4	1117510051	FILLER CAP	1		
5	1096390320	PACKING	4		
6	1111730590	GASKET	1		

KEY	PART NO.	PART NAME	QTY	REMARKS
1	1125140050	CAMSHAFT	1	
3	1094001160	NUT	4	
4	1125511650	INTAKE VALVE	6	
5	1125521110	EXHAUST VALVE	6	
6	5095000120	WASHER	4	
8	9098518503	WASHER	1	
9	1125220162	GEAR	1	Z=50
10	9116810150	PLATE	1	
11	0505408250	BOLT	2	M8 X 25, SUB FOR 0500408250
14	9080307130	SHAFT KEY	1	
21	AT264164	BOLT	1	M14 X 28
22	1095803350	SPRING	5	
23	5096230600	GASKET	1	
24	1099853450	WASHER	2	I.D. 10.2MM
25	8971012810	SHAFT	1	SUB FOR 8982190880 AND 8971012810
26	5125350011	BUSHING	1	
27	8941339373	GEAR	1	Z=51
28	9010510550	BOLT	2	M10 X 55
37	9116930351	BEARING	1	Camshaft, SUB FOR 9116930350
38	9116910481	BEARING	5	Camshaft Bearing, SUB FOR 9116910480
51	9091800190	RING	1	
53	1126210940	SHAFT	1	
55	9126260050	PLUG	2	
58	5126280120	BRACKET	1	
65	5125650060	BUSHING	24	
68	1125610991	SPRING	12	SUB FOR 1125610990
70	8941145790	VALVE SEAT	12	O.D. 32MM
71	5125630010	VALVE SEAT	12	O.D. 34MM
72	8971201670	SEAL	12	
73	1090005670	BOLT	8	M8 X 65
75	9096021480	BOLT	1	M8 X 65
76	5095000120	WASHER	9	
78	1126112490	ROCKER ARM	12	
81	9126160420	SCREW	12	
83	14M7151	NUT	12	M8, SUB FOR AT191643 OR 9091115080

KEY	PART NO.	PART NAME	QTY	REMARKS	
84	9126281050	BRACKET	6		
88	1125750360	PUSH ROD	12		
89	5125710033	TAPPET	12	SUB FOR 5125710032	



KEY	PART NO.	PART NAME	QTY	REMARKS
4	8943706711	GASKET	1	Timing Gear Housing To Cylinder Block, SUB FOR 8943706710
5	1096254380	SEAL	1	
7	9081510180	DOWEL PIN	1	
8	1113210790	COVER	1	
9	5113210090	COVER	2	
10	0280506120	BOLT	4	SUB FOR 0280806120
25	5113270090	POINTER	1	
36	0280808450	BOLT	2	SUB FOR AT259928
36	19M7866	SCREW	4	M8 X 20, SUB FOR AT259925
49	111322060X	GASKET	1	Timing Gear Cover To Housing
50	5113110113	CASE	1	
62A	0286808250	BOLT	6	
62B	0280508500	BOLT	3	M8 X 50, SUB FOR 0280808500
65	GASKET	2	8971186980 NLA



Thank you so much for reading.
Please click the “Buy Now!”
button below to download the
complete manual.



After you pay.

You can download the most
perfect and complete manual in
the world immediately.

Our support email:

ebooklibonline@outlook.com