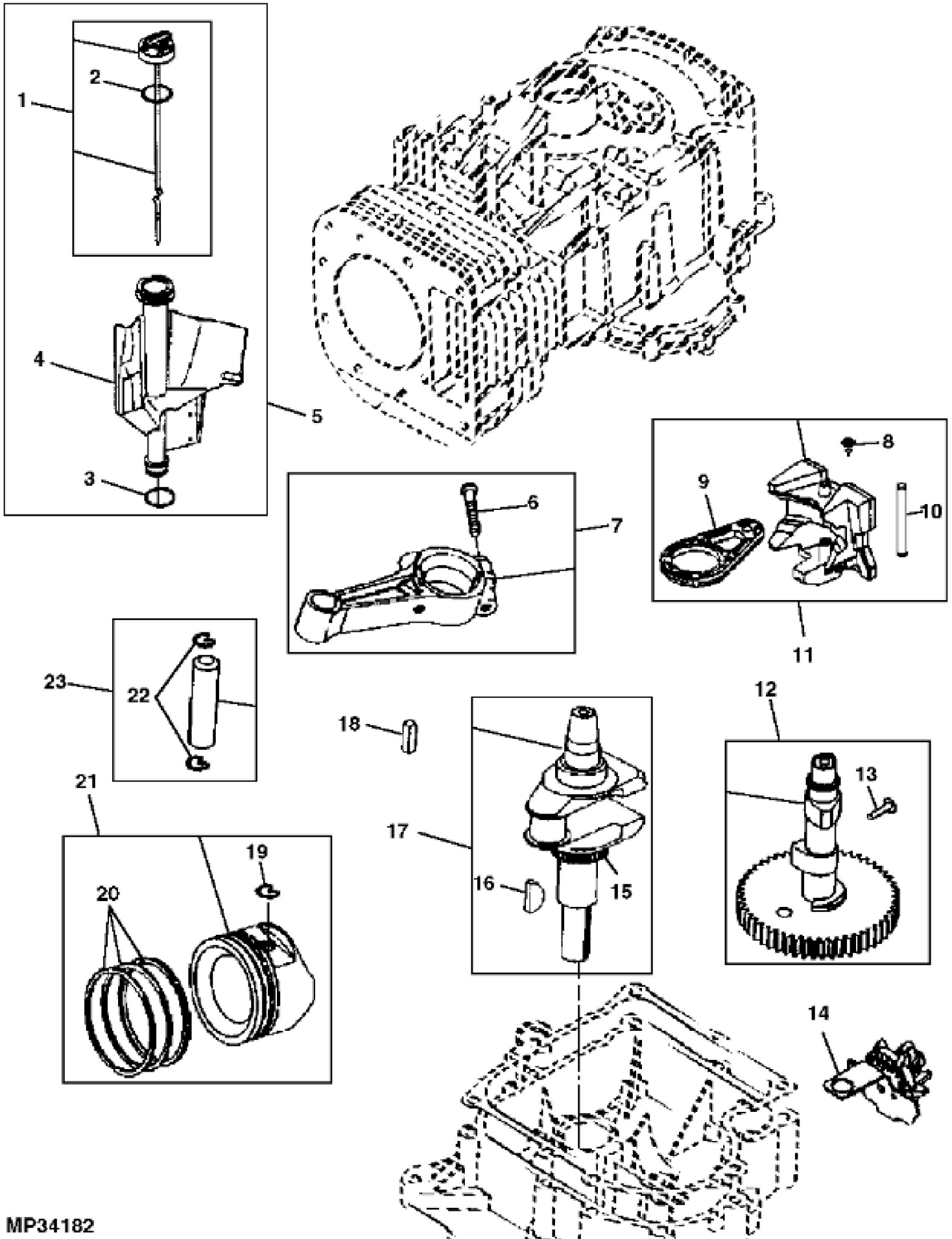


MX284407

KEY	PART NO.	PART NAME	QTY	REMARKS
1	M147493	SCREEN	1	(SUB MIU11503)
2	37H43	SCREW	4	(ENGINE MARKED 284H07-0111E, 285H07-0026-E1)
2	M152566	SCREW	4	(ENGINE MARKED 284H07-0131-E1, 280J07-0120-E1)
3	LG690582	WASHER	1	(ENGINE MARKED 284H07-0111E, 285H07-0026-E1)
4	LG691058	BOLT	2	(ENGINE MARKED 284H07-0111E, 285H07-0026-E1)
4	MIU12152	BOLT	2	(ENGINE MARKED 284H07-0131-E1, 280J07-0120-E1) (SUB FOR LG690372) (USE WITH MIA11630)
5	LG690452	RETAINER	1	(ENGINE MARKED 284H07-0111E, 285H07-0026-E1)
6	M147494	FAN	1	(ENGINE MARKED 284H07-0111E, 285H07-0026-E1)
6	MIU11503	FAN	1	NLA (ENGINE MARKED 284H07-0131-E1, 280J07-0120-E1) (SUB FOR M152561) (SUB MIA11519)
7	AM132343	FLYWHEEL	1	ORDER AUC10649; ALSO ORDER MIU13972
7	AM135134	FLYWHEEL	1	(USE WITH MIA11630)
7	AUC10649	FLYWHEEL	1	
8	LG691265	SNAP RING	1	
9	LG693713	GEAR	1	STARTER
10	M147508	SCREW	2	
11	MIU11682	TUBE	1	BREATHER, (SUB FOR M147499)
12	M147500	COVER	1	NLA, ORDER MIU11631
12	MIU11631	COVER	1	BREATHER PASSAGE, (USE WITH MIA11630)
13	M147564	GASKET	1	
14	M147507	SCREW	2	
15	M147501	VALVE	1	BREATHER
16	AM132344	CYLINDER BLOCK	1	
16	MIA11419	CYLINDER	1	(USE WITH MIA11630)
17	LG399265	BEARING	1	NLA; ORDER MIA11778; Bushing W/Seal
17	MIA11778	SEAL KIT	1	Bushing W/Seal
18	LG391086S	SEAL	1	(MAGNETO SIDE)
19	LG690959	DOWEL PIN	1	
19	LG690959	DOWEL PIN	2	(USE WITH MIA11630)
20	M147497	BUSHING	1	GOVERNOR
21	LG692407	SEAL	1	GOVERNOR
22	M147513	GASKET	1	
23	MIU11958	SEAL	1	PTO SIDE, (SUB FOR LG690947 OR MIU11212)
24	AM132352	RESERVOIR	1	

KEY	PART NO.	PART NAME	QTY	REMARKS
25	AM131611	TUBE	1	OIL DRAIN
26	OIL TUBE	1	
27	T77932	O-RING	1	
28	M144897	CAP	1	
29	GC00331	BOLT	4	NLA; ORDER GX24210; Engine Mounting
29	GX24210	SCREW	4	
30	LG692125	CAP SCREW	12	
31	15H623	DRAIN PLUG	1	3/8", (SUB FOR LG690946)
32	M153303	SCREW	1	
33	MIU11635	PLUG	1	(A)
34	MIA13017	SCREEN KIT	1	(A) SUB FOR MIU11634 AND MIA11525
35	MIU11638	SCREW	2	(A)
36	MIU12139	FAN	1	(A)
37	PM37469	LIQUID GASKET	AR	TUBE
38	MIU13972	KEY	1	USE WITH AUC10649
..	AM133097	GASOLINE ENGINE	1	(MARKED 284H07-0111E) (SUB AM133286) (WHEN USING AM133286 TO SERVICE AM133097, TRANSFER 6 PIN HARNESS, GOVERNOR SPRING, MUFFLER-DEFLECTOR AND GOVERNOR IDLE CONTROLS AND ADJUST RPM TO 2950)
..	AM133286	GASOLINE ENGINE	1	(MARKED 285H07-0026-E1)
..	AM134684	GASOLINE ENGINE	1	(MARKED 284H07-0131-E1) (SUB MIA10357)
..	MIA10357	GASOLINE ENGINE	1	(MARKED 280J07-0120-E1) (SUB MIA11630)
..	MIA11519	FLYWHEEL KIT	1	(INCLUDES PARTS MARKED (A))
..	MIA11630	GASOLINE ENGINE	1	(MARKED 31P707-0149-B1) (SUB MIA11888)



KEY	PART NO.	PART NAME	QTY	REMARKS	
1	AM135145	DIPSTICK	1		
2	LG691031	O-RING	1		
3	LG691032	SEAL	1		
4	M152554	DIPSTICK TUBE	1		
5	AM135144	DIPSTICK TUBE	1	(SUB FOR AM132353)	
6	MIU11051	SCREW	2	(SUB FOR LG692852)	
7	MIA10624	ROD	1	(SUB FOR AM132346)	
7	MIA11424	CONNECTING ROD	1	STD, (USE WITH MIA11630)	
8	MIU11437	PLUG	1		
9	MIU11436	LINK	1	(SUB FOR M152555)	
10	M152556	PIN	1		
11	MIA10989	COUNTERWEIGHT	1	(SUB FOR AM132354)	
12	AM135141	CAMSHAFT	1	(SUB FOR AM132350 OR M150105) (INCLUDES M148242)	
12	MIA11377	CAMSHAFT	1	(USE WITH MIA11630)	
13	LG690564	TAPPET	2		
14	LG691968	OIL SLINGER	1	(GOVERNOR GEAR)	
15	M147512	GEAR	1	TIMING	
16	LG691639	KEY	1		
17	MIA11844	CRANKSHAFT	1	(SUB FOR AM132351)	
18	LG222698S	SHAFT KEY	1	FLYWHEEL	
19	M152553	LOCK	1		
20	M147510	PISTON RING KIT	2	(NLA) STD, (SUB MIA11501)	
20	M147511	PISTON RING KIT	1	.50 MM (.020") OS	
20	AM135127	RING KIT	1	NLA; .020 OS	
20	AM135126	PISTON RING KIT	1	(ENGINE MARKED 280J07-0120-E1); STD	
20	MIU12189	RING KIT	1	NLA; ORDER MIU14357; STD	
20	MIU14357	RING KIT	1		
20	MIA10691	PISTON RING KIT	1	STD, (USE WITH MIA11421)	
20	MIU11639	PISTON RING KIT	1	(.020") OS, (USE WITH MIA11430)	
21	MIA11501	PISTON REPLACEMENT KIT	1	STD, (SUB FOR AM132348) (INCLUDES MIU12189)	
21	AM132349	PISTON REPLACEMENT KIT	1	.50 MM (.020") OS, (NLA)	
21	AM135125	PISTON	1	NLA; 0.02 OS	
21	AM135124	PISTON REPLACEMENT KIT	1	(ENGINE MARKED 280J07-0120-E1); STD	
21	MIA11421	PISTON	1	STD, (USE WITH MIA11630)	
21	MIA11430	PISTON	1	.020" OS, (USE WITH MIA11630)	

KEY	PART NO.	PART NAME	QTY	REMARKS	
22	M152553	LOCK	2	(SUB FOR M147509)	
23	AM132347	PISTON PIN	1		
23	MIA11423	PISTON PIN	1	(USE WITH MIA11630)	
..	M148242	SHAFT	1	(NLA) (ENGINE MARKED 280J07-0120-E1) (SUB MIA11172)	

Thank you so much for reading.
Please click the “Buy Now!”
button below to download the
complete manual.



After you pay.

You can download the most
perfect and complete manual in
the world immediately.

Our support email:

ebooklibonline@outlook.com