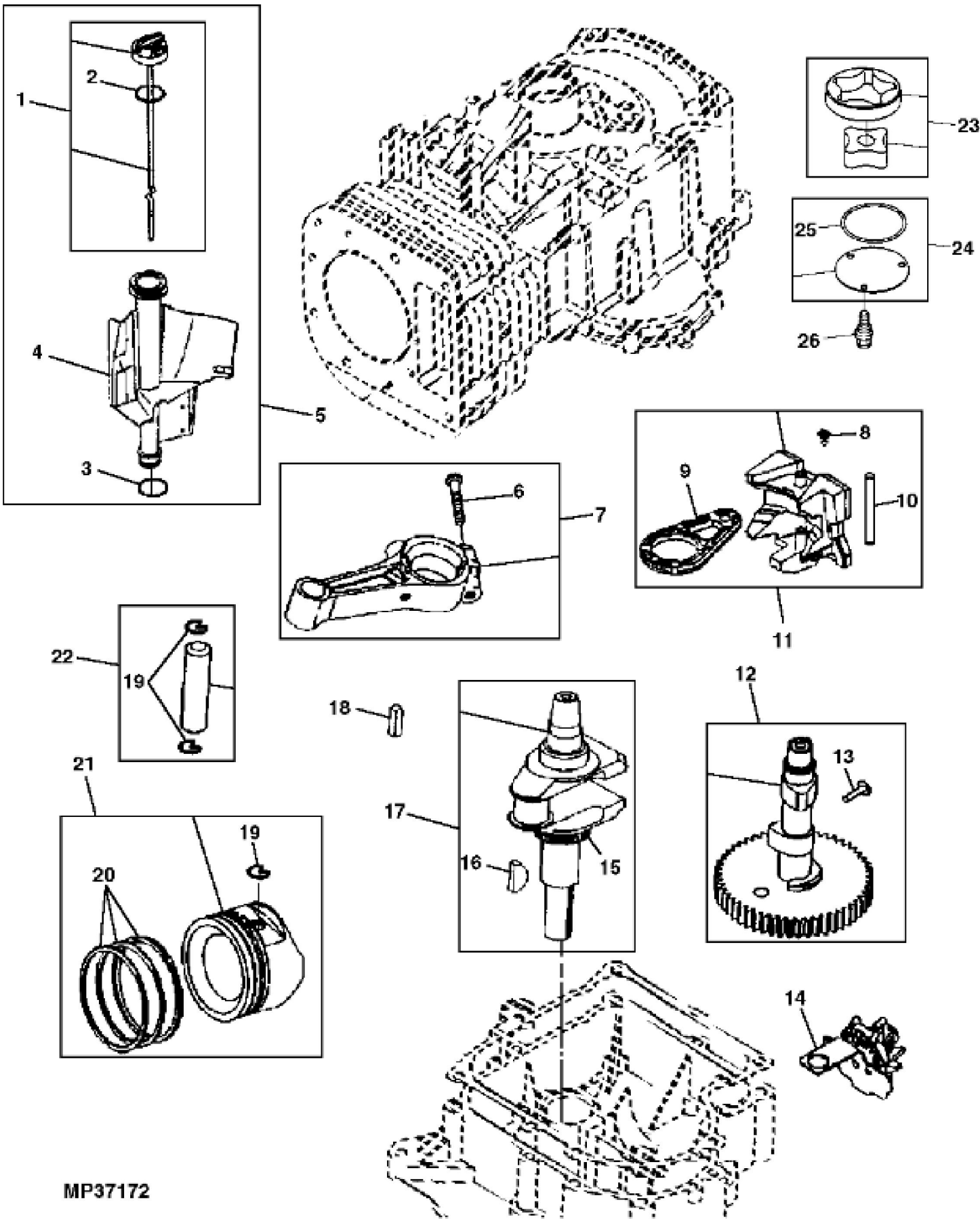


KEY	PART NO.	PART NAME	QTY	REMARKS
1	M147493	SCREEN	1	(SUB MIU11503)
2	37H43	SCREW	4	(ENGINE MARKED 31F707-0114-E1, 31F707-0112-E3)
2	M152566	SCREW	4	(ENGINE MARKED 31F707-0130-E1, 31P877-0110-E1)
3	LG690582	WASHER	1	(ENGINE MARKED 31F707-0114-E1, 31F707-0112-E3)
4	LG691058	BOLT	2	(ENGINE MARKED 31F707-0114-E1, 31F707-0112-E3)
4	MIU12152	BOLT	2	(ENGINE MARKED 31F707-0130-E1, 31P877-0110-E1), (SUB FOR LG690372) (USE WITH MIA11631)
5	LG690452	RETAINER	1	(ENGINE MARKED 31F707-0114-E1, 31F707-0112-E3)
6	M147494	FAN	1	(ENGINE MARKED 31F707-0114-E1, 31F707-0112-E3)
6	MIU11503	FAN	1	NLA (ENGINE MARKED 31F707-0130-E1, 31P877-0110-E1), (SUB FOR M152561) (SUB MIA11519)
7	AM132343	FLYWHEEL	1	ORDER AUC10649; ALSO ORDER MIU13972(ENGINE MARKED 31F707-0114-E1, 31F707-0112-E3, 31F707-0130-E1)
7	AM135134	FLYWHEEL	1	(ENGINE MARKED 31P877-0110-E1) (USE WITH MIA11631)
7	AUC10649	FLYWHEEL	1	
8	LG691265	SNAP RING	1	
9	LG693713	PINION	1	STARTER
10	M147508	SCREW	2	
11	MIU11682	TUBE	1	BREATHER, (SUB FOR M147499)
12	M147500	COVER	1	NLA, ORDERMIU11631
12	MIU11631	COVER	1	BREATHER PASSAGE, (USE WITH MIA11631)
13	M147564	GASKET	1	
14	M147507	SCREW	2	
15	M147501	BREATHER	1	BREATHER
16	MIA11419	CYLINDER BLOCK	1	(ENGINE MARKED 31F707-0114-E1, 31F707-0112-E3, 31F707-0130-E1) (SUB FOR AM132374 OR MIA11101)
16	AM134602	CYLINDER BLOCK	1	(ENGINE MARKED 31P877-0110-E1), (ORDER MIA10487)
17	LG399265	BEARING	1	ORDER MIA11778; Bushing W/Seal
17	MIA11778	SEAL KIT	1	Bushing W/Seal
18	LG391086S	SEAL	1	(MAGNETO SIDE)
19	LG690959	DOWEL PIN	1	
20	M147497	BUSHING	1	GOVERNOR
21	LG692407	SEAL	1	GOVERNOR
22	M147513	GASKET	1	
23	MIU11958	SEAL	1	PTO SIDE, (SUB FOR LG690947 OR MIU11212)

KEY	PART NO.	PART NAME	QTY	REMARKS
24	AM132352	RESERVOIR	1	(ENGINE MARKED 31F707-0114-E1, 31F707-0112-E3, 31F707-0130-E1)
24	AM135143	RESERVOIR	1	NLA; ORDER MIA12717; INCLUDES MIU12709, M147513, MIU11958 AND 15H638; SUB FOR MIA11429
24	MIA12717	RESERVOIR	1	
24	15H638	PIPE PLUG	1	1/8", (NOT SHOWN) (ENGINE MARKED 31P877-0110-E1)
24	MIA10696	BALL	1	(NLA) (NOT SHOWN) (ENGINE MARKED 31P877-0110-E1)
25	AM131611	TUBE	1	OIL DRAIN
26	.....	OIL TUBE	1	
27	T77932	O-RING	1	
28	M144897	CAP	1	
29	GC00331	BOLT	4	NLA; ORDER GX24210; Engine Mounting
29	GX24210	SCREW	4	
30	LG692125	CAP SCREW	12	
31	15H623	PIPE PLUG	1	3/8", (SUB FOR LG690946)
32	MIU11635	PLUG	1	(A)
33	MIA13017	SCREEN KIT	1	(A) SUB FOR MIU11634 AND MIA11525
34	MIU11638	SCREW	2	(A)
35	MIU12139	FAN	1	(A)
36	PM37469	LIQUID GASKET	AR	TUBE
37	M153303	SCREW	1	
38	MIU13972	KEY	1	USE WITH AUC10649
..	AM133767	GASOLINE ENGINE	1	(ENGINE MARKED 31F707-0114-E1) (SUB MIA10487)
..	AM133098	GASOLINE ENGINE	1	(ENGINE MARKED 31F707-0112-E3) (SUB MIA10487)
..	AM134685	GASOLINE ENGINE	1	(ENGINE MARKED 31F707-0130-E1) (SUB MIA10487)
..	MIA10487	GASOLINE ENGINE	1	(ENGINE MARKED 31P877-0110-E1) (SUB MIA11631)
..	MIA11519	FLYWHEEL KIT	1	(INCLUDES PARTS MARKED (A))
..	MIA11631	GASOLINE ENGINE	1	(MARKED 31P677-0120-B1) (SUB MIA11889)

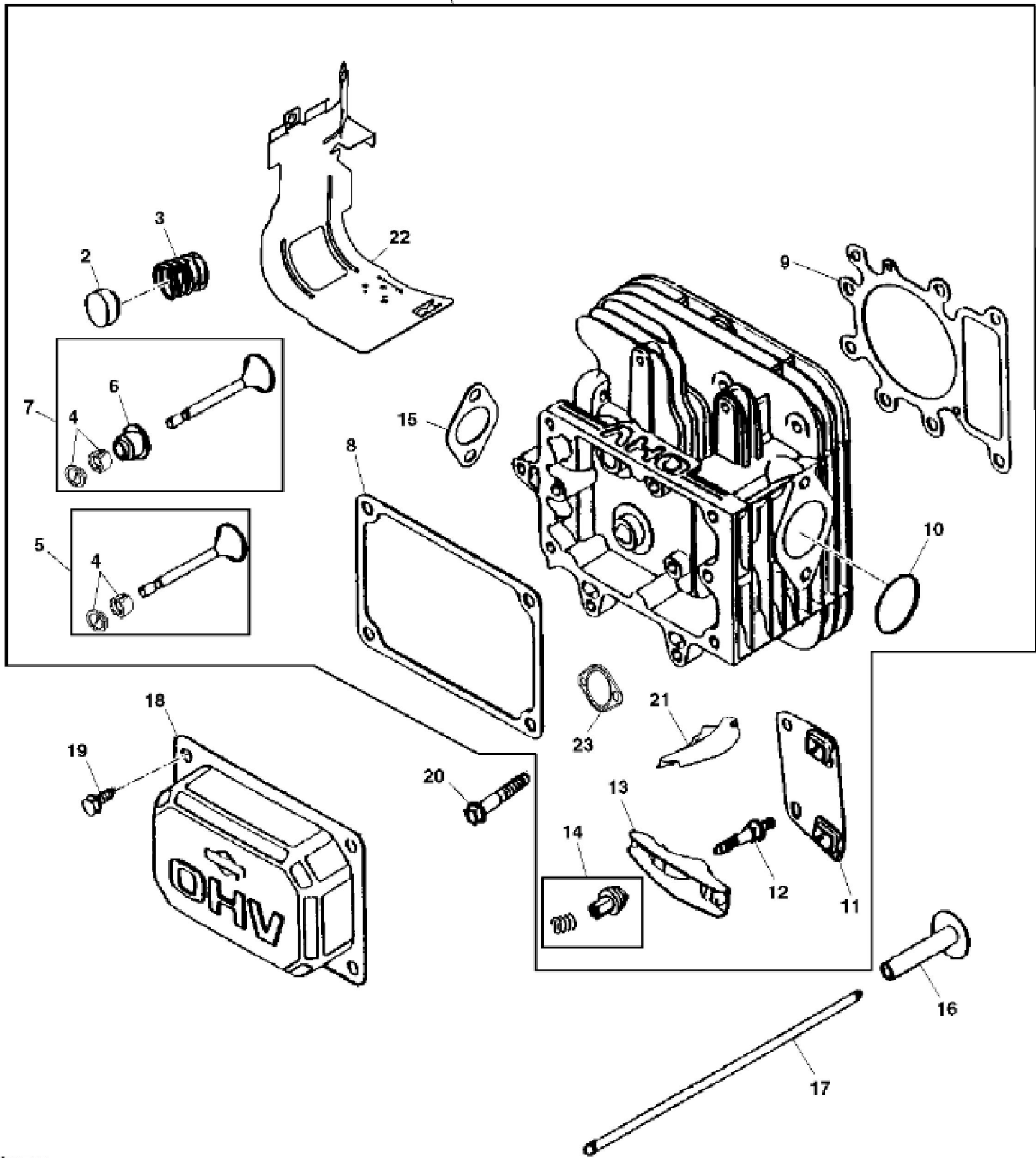


MP37172

KEY	PART NO.	PART NAME	QTY	REMARKS
1	AM135145	DIPSTICK	1	
2	LG691031	O-RING	1	
3	LG691032	SEAL	1	
4	M152554	DIPSTICK TUBE	1	
5	AM135144	DIPSTICK TUBE	1	(SUB FOR AM132353)
6	MIU11051	SCREW	2	(SUB FOR LG692852)
7	MIA10624	CONNECTING ROD	1	(ENGINE MARKED 31F707-0114-E1, 31F707-0112-E3, 31F707-0130-E1) (SUB FOR AM132346)
7	MIA11126	CONNECTING ROD	1	(ENGINE MARKED 31P877-0110-E1) (SUB FOR MIA10693) (USE WITH MIA11631)
7	MIA10694	CONNECTING ROD	1	(.020") US, USE WITH MIA10487 AND MIA11631
8	MIU11437	PLUG	1	
9	MIU11436	LINK	1	(SUB FOR M152555)
10	M152556	PIN	1	
11	MIA10989	COUNTERWEIGHT	1	(SUB FOR AM132354)
12	AM135141	CAMSHAFT	1	(ENGINE MARKED 31F707-0114-E1, 31F707-0112-E3, 31F707-0130-E1) (SUB FOR LG693450 OR M150105)
12	MIA11377	CAMSHAFT	1	(ENGINE MARKED 31P877-0110-E1) (SUB FOR MIA10695) (USE WITH MIA11631)
13	LG690564	TAPPET	2	
14	LG691968	OIL SLINGER	1	
15	M147512	GEAR	1	TIMING
16	LG691639	KEY	1	
17	MIA11844	CRANKSHAFT	1	(ENGINE MARKED 31F707-0114-E1, 31F707-0112-E3, 31F707-0130-E1) (SUB FOR AM132351)
17	MIA10982	CRANKSHAFT	1	(SUB FOR AM135142) (USE WITH MIA10487 AND MIA11631)
18	LG222698S	SHAFT KEY	1	FLYWHEEL
19	M152553	LOCK	2	(SUB FOR M147509)
20	MIA10691	PISTON RING KIT	1	(STD) (ENGINE MARKED 31F707-0114-E1, 31F707-0112-E3, 31F707-0130-E1) SUB FOR M150897 AND SUB FOR M147570 ; USE WITH AM134715
20	MIU11639	PISTON RING KIT	1	.50 MM (.020") OS, (ENGINE MARKED 31P877-0110-E1) (SUB FOR MIA10692 OR M147571) (USE WITH MIA11430)
21	MIA10981	PISTON	1	(SUB FOR AM132375 OR AM134715 OR MIA10844) (SUB MIA10690)

KEY	PART NO.	PART NAME	QTY	REMARKS
21	MIA11430	PISTON	1	.50 MM (.020") OS, (SUB FOR AM132376 OR AM134716 OR MIA10918) (USE WITH MIA11631)
21	MIA10690	PISTON	1	(ENGINE MARKED 31P877-0110-E1) (SUB MIA11421)
21	MIA11421	PISTON	1	STD, (USE WITH MIA11631)
22	AM132347	PISTON PIN	1	
22	MIA11423	PISTON PIN	1	STD, (USE WITH MIA11631)
23	LG499054	OIL PUMP	1	(ENGINE MARKED 31P877-0110-E1) (SUB MIA11172)
24	LG499613	COVER	1	(ENGINE MARKED 31P877-0110-E1)
25	LG690589	SEAL	1	(ENGINE MARKED 31P877-0110-E1)
26	MIU11119	SCREW	3	(ENGINE MARKED 31P877-0110-E1) (USE WITH MIA11631)
..	AM125424	OIL FILTER	1	

1



Thank you so much for reading.  
Please click the “Buy Now!”  
button below to download the  
complete manual.



After you pay.

You can download the most  
perfect and complete manual in  
the world immediately.

Our support email:

[ebooklibonline@outlook.com](mailto:ebooklibonline@outlook.com)