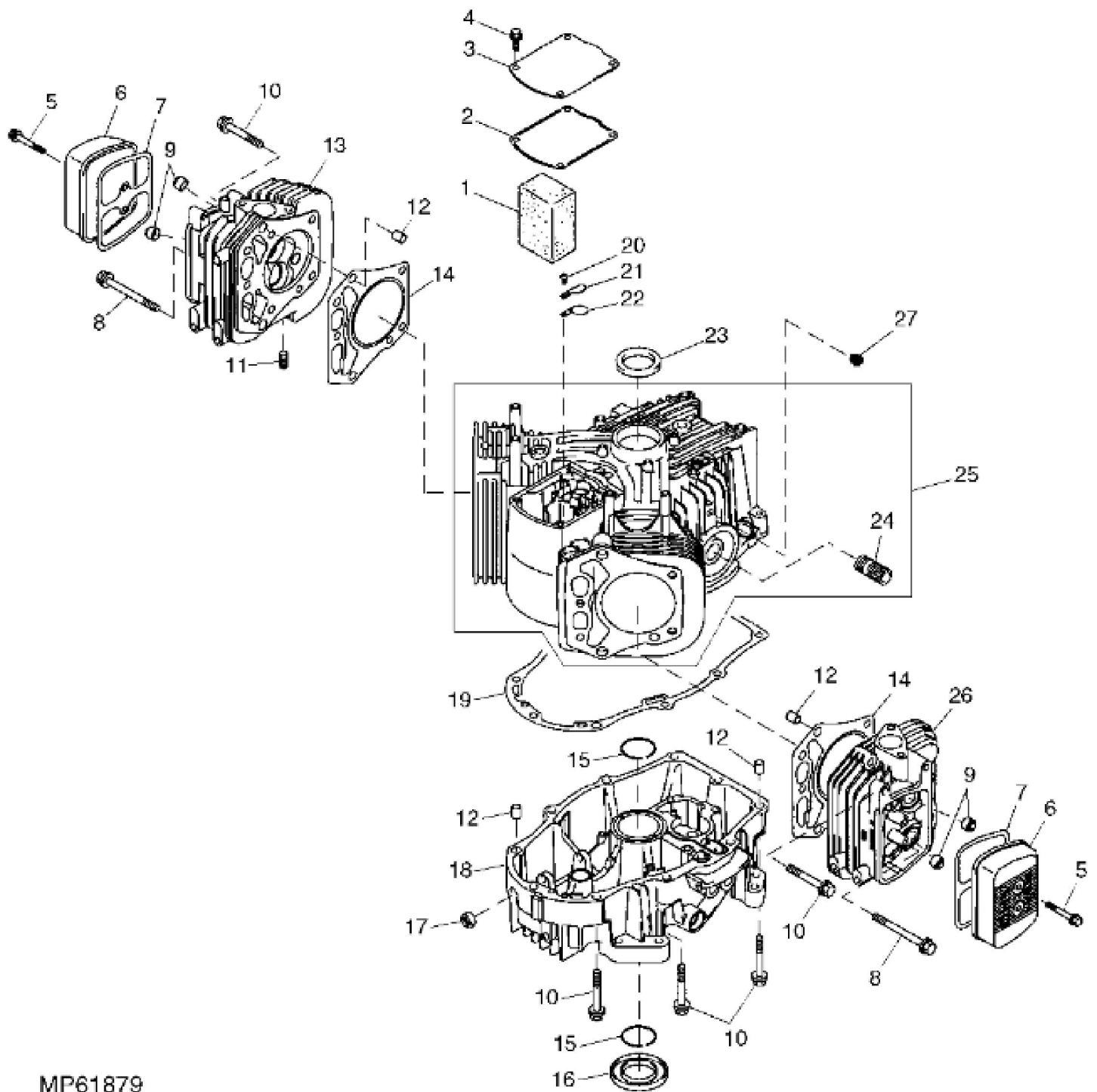


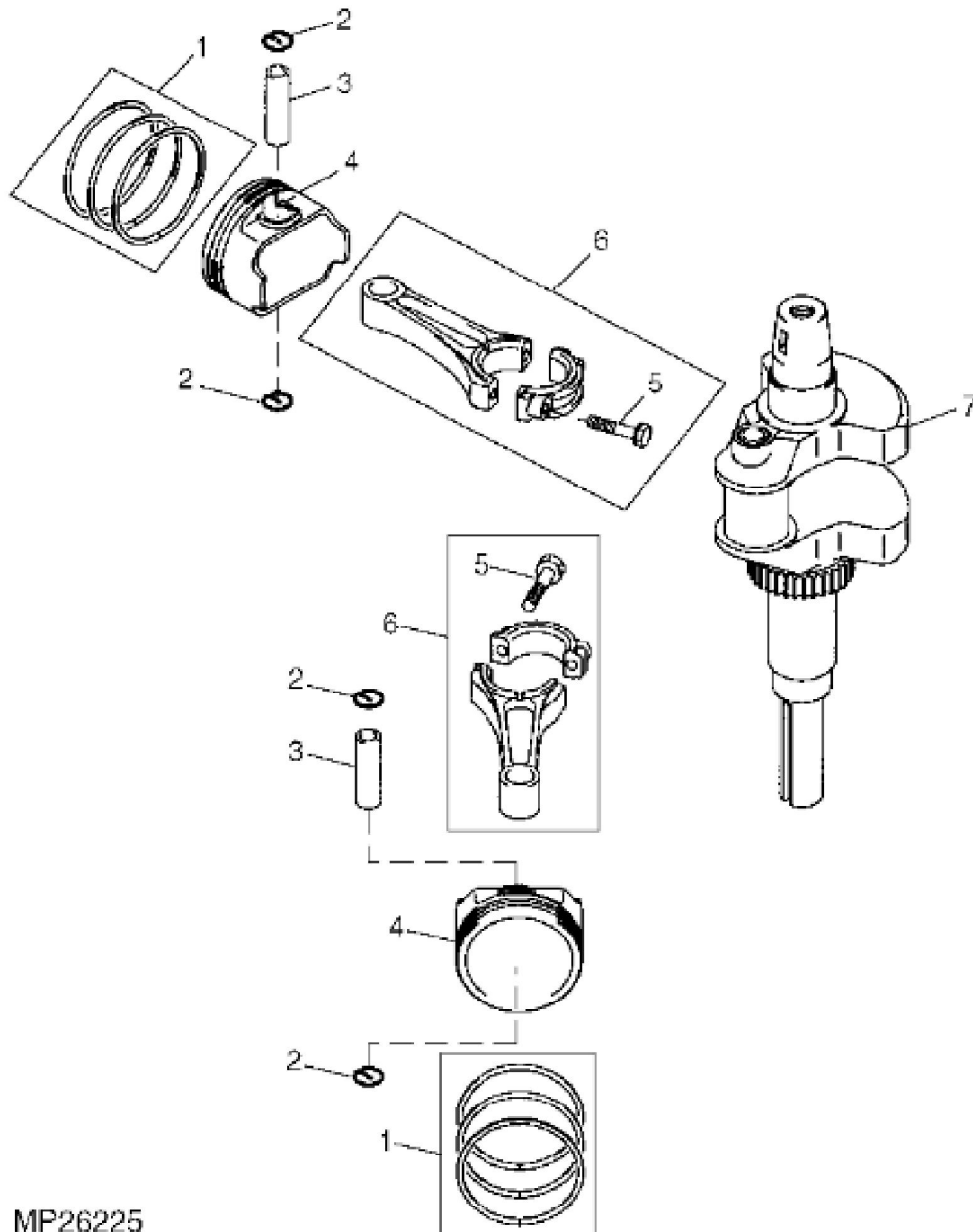
KEY	PART NO.	PART NAME	QTY	Serial No.	REMARKS
1	MIA10380	GASOLINE ENGINE	1		MARKED FH601V-AS32; ORDER MIA10990
1	MIA10507	GASOLINE ENGINE	1		MARKED FH601V-BS32; ORDER MIA10990
2	19M7897	SCREW	4		M8 X 35
3	14M7166	LOCK NUT	4		M8
4	TCA16240	DRAIN VALVE	1	____-030218	(SUB FOR TCA12370)(INCLUDES O-RING)
4	TCA17360	DRAIN VALVE	1	030219-____	(INCLUDES M88478)
5	12M7032	LOCK WASHER	1		8.400 mm
6	MIA10990	SHORT BLOCK ASSEMBLY	1		(Not Illustrated) SUB FOR MIA10406 OR MIA10991



MP61879

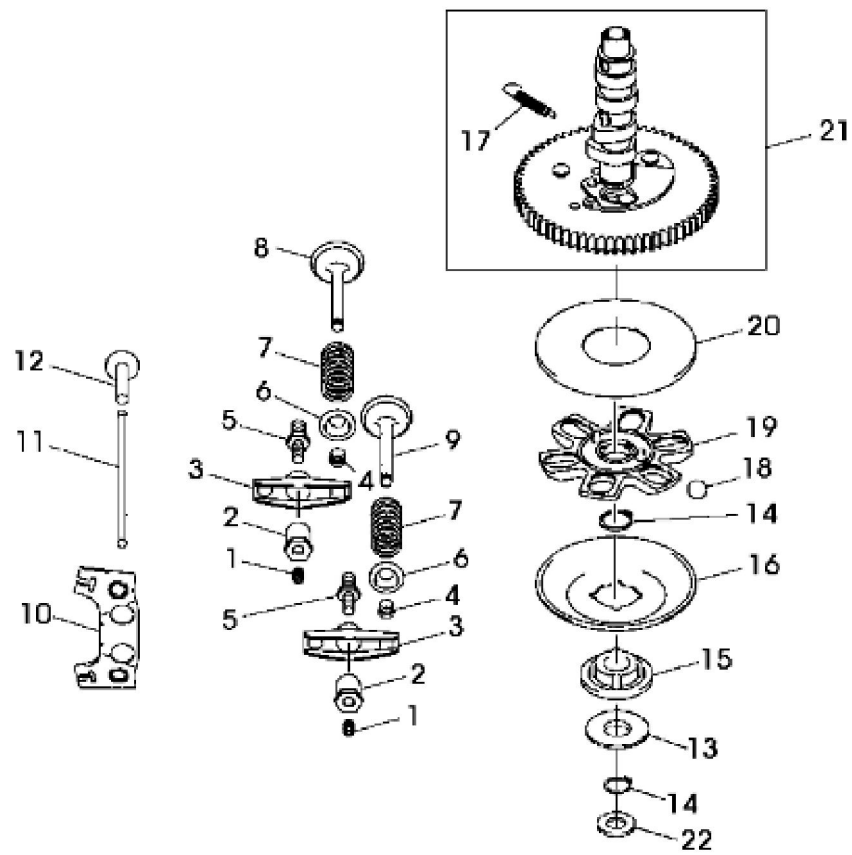
KEY	PART NO.	PART NAME	QTY	REMARKS
1	M141350	FILTER ELEMENT	1	ORDER MIA11393
2	M140222	GASKET	1	USE WITH MIA10380, MIA10507 AND MIA10990
2	MIU11731	GASKET	1	(A), USE WITH MIA11393
3	M140224	COVER	1	USE WITH MIA10380, MIA10507 AND MIA10990
3	MIU11732	COVER	1	(A), USE WITH MIA11393
4	19M7774	SCREW	4	M6 X 12, USE WITH MIA10380, MIA10507 AND MIA10990
4	19M7775	SCREW	4	M6 X 16, (A), USE WITH MIA11393
5	19M8477	CAP SCREW	4	M6 X 40
6	M140218	CASE	2	
7	M140221	GASKET	2	
8	M138394	BOLT	2	NLA; ORDER MIU11322
8	MIU11322	BOLT	2	
9	M138389	SEAL	4	
10	MIU11326	BOLT	18	NLA; ORDER 19M8319; SUB FOR M138393
10	19M8319	SCREW	1	M8 X 50
11	M138395	STUD	4	NLA; ORDER MIU11736
11	MIU11736	BOLT	4	NLA; ORDER MIU12726
11	MIU12726	STUD	4	
12	M138388	PIN	6	
13	MIA10402	CYLINDER HEAD	1	CYLINDER NO. 1
14	M147908	ENGINE CYLINDER HEAD GASKET	2	
15	M140231	SNAP RING	2	
16	M149282	SEAL	1	
17	M138392	SEAL	1	NLA; ORDER M151774
17	M151774	SEAL	1	
18	M150623	COVER	1	(FH601V-AS32)
18	MIU11292	COVER	1	(FH601V-BS32)
19	M140220	GASKET	1	
20	21M7244	SCREW	1	M4 X 8
21	M140223	PLATE	1	
22	M140229	VALVE	1	
23	M150948	SEAL	1	
24	M127431	ADAPTER FITTING	1	
25	AM133930	CRANKCASE	1	
26	AM135296	CYLINDER HEAD	1	CYLINDER NO. 2

KEY	PART NO.	PART NAME	QTY	REMARKS	
27	M147270	PLUG	1	NLA; ORDER MIU14001	
27	MIU14001	PLUG	1		
28	MIA10990	SHORT BLOCK ASSEMBLY	1	(Not Illustrated) SUB FOR MIA10406	
29	MIA11393	COVER KIT	1	(Not Illustrated) INCLUDES PART MARKED (A)	



MP26225

KEY	PART NO.	PART NAME	QTY	REMARKS	
1	AM128738	PISTON RING KIT	2	STD	
1	AM132069	PISTON RING KIT	1	0.50 MM (0.020") OS	
2	M138398	SNAP RING	4	(SUB FOR M140233)	
3	M138397	PISTON PIN	2		
4	M143319	PISTON	2	STD	
4	M146875	PISTON	1	0.50 MM (0.020") OS	
5	M146763	BOLT	4		
6	MIA10804	CONNECTING ROD	2	(SUB FOR AM132025)	
7	AM133965	CRANKSHAFT	1		



PU00581

Thank you so much for reading.
Please click the “Buy Now!”
button below to download the
complete manual.



After you pay.

You can download the most
perfect and complete manual in
the world immediately.

Our support email:

ebooklibonline@outlook.com