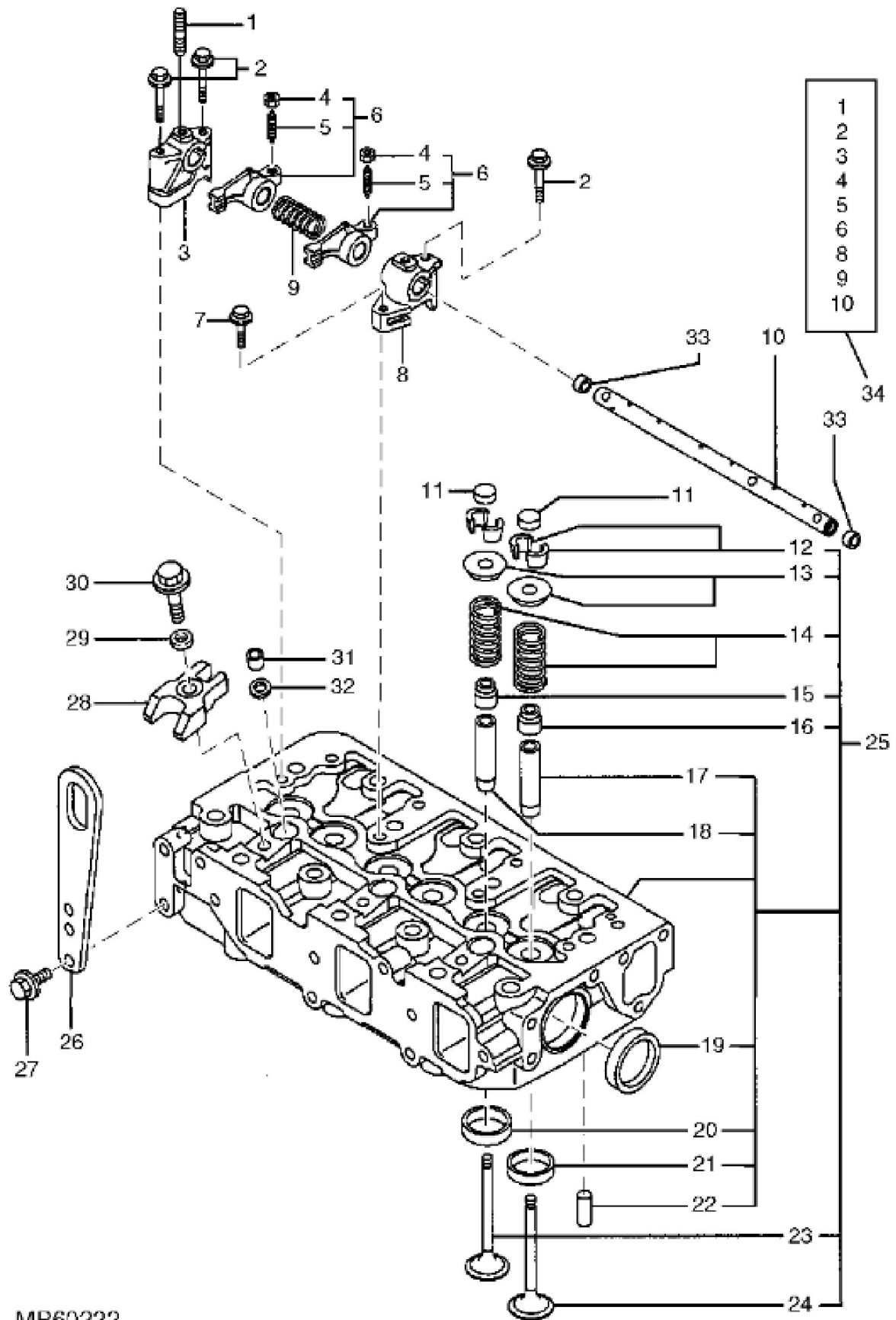


MP60221

HEAD COVER AND GASKETS

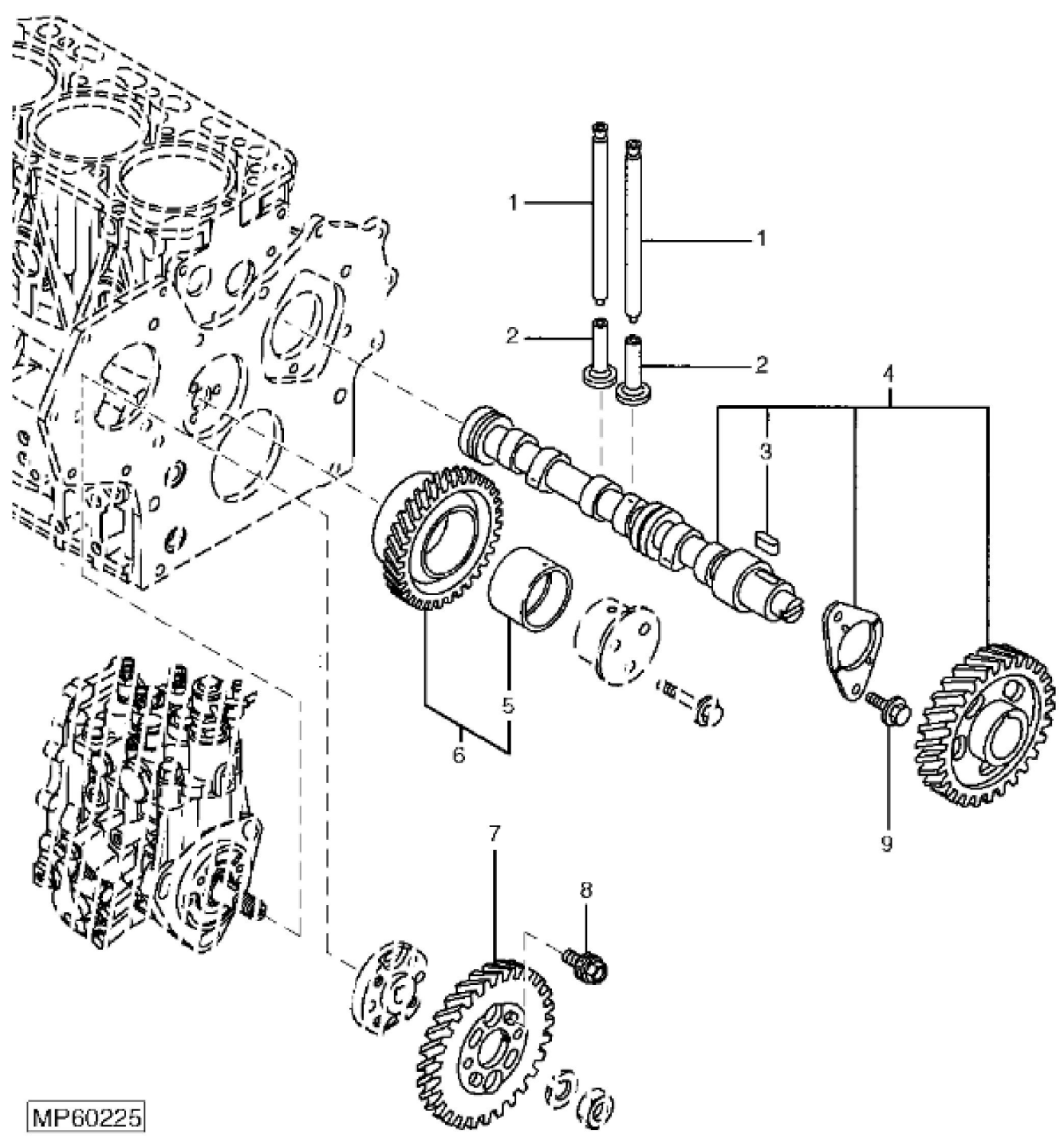
KEY	PART NO.	PART NAME	QTY	REMARKS
1	M807374	SCREW	4	
2	M811453	COVER	1	
3	CH15411	O-RING	1	
4	CH10348	NUT	3	
5	CH10568	PACKING	3	
6	M64850	SEALANT	AR	
7	M811085	PLATE	1	
8	M807374	SCREW	4	
9	M801032	DEFLECTOR	1	
10	M811429	GASKET	1	
11	M805711	PACKING	1	
12	M805710	CAP	1	
13	M801037	HOSE	1	
14	AM882105	COVER	1	



MP60222

HEAD AND ROCKER ARMS

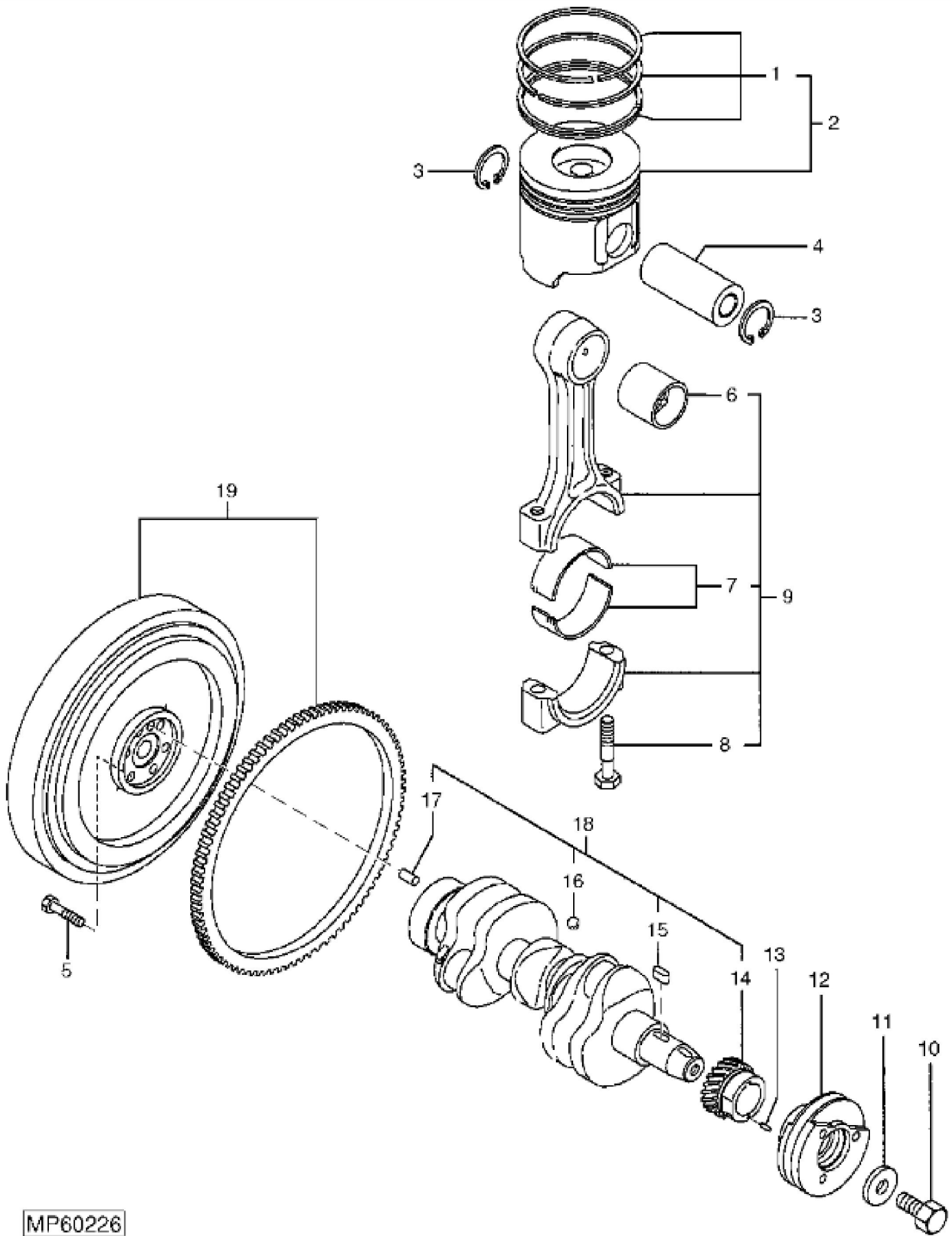
KEY	PART NO.	PART NAME	QTY	REMARKS
1	M801024	STUD	3	
2	19M7800	SCREW	6	M8 X 50
3	M811050	SUPPORT	2	
4	M801028	NUT	6	
5	M801027	SCREW	6	
6	AM881820	ROCKER ARM	6	
7	19M7867	SCREW	2	M8 X 25
8	M811051	SUPPORT	2	
9	M801025	SPRING	3	
10	M811426	ROCKER ARM SHAFT	1	
11	M801224	CAP	6	
12	AM878862	RETAINER KIT	6	Valve Guide
13	M801223	RETAINER	6	
14	M801222	SPRING	6	
15	T110650	SEAL	3	Exhaust Valve
16	CH10450	SEAL	3	Intake Valve
17	M801227	GUIDE	3	Intake Valve
18	M801228	GUIDE	3	Exhaust Valve
19	CH16751	PLUG	3	
20	T110653	VALVE SEAT	3	Exhaust Valve
21	MIU803175	VALVE SEAT	3	SUB FOR M811498; Intake Valve
22	M801217	PLUG	3	
23	T110649	EXHAUST VALVE	3	
24	MIU800446	INTAKE VALVE	3	SUB FOR M811086 OR M811797; Intake
25	AM882106	CYLINDER HEAD	1	
26	AT211695	HANGER	1	
27	CH19780	BOLT	2	
28	M811088	RETAINER	3	Nozzle
29	M811080	WASHER	3	
30	19M7897	SCREW	3	M8 X 35
31	M811052	SHIELD	3	
32	M801017	VALVE SEAT	3	
33	M800002	PLUG	2	
34	AM882086	ROCKER ARM SHAFT	1	



MP60225

John Deere > Turf And Utility > MOWER, ROTARY > 3245C - MOWER, ROTARY > 3245C Independent Rotary Deck Mower (Worldwide Edition) > 21 ENGINE 3TNV84T TCA14029 > ST716629 - CAMSHAFT AND DRIVE GEARS

KEY	PART NO.	PART NAME	QTY	REMARKS
1	M801238	PUSH ROD	6	
2	M801046	CAM FOLLOWER	6	
3	M801045	SHAFT KEY	1	
4	AM876430	CAMSHAFT	1	
5	MIU800595	GEAR	1	(SUB FOR M811150)
6	MIA880571	IDLER GEAR	1	IDLER (SUB FOR AM881829)
7	M811057	GEAR	1	INJECTOR PUMP
8	RG60871	BOLT	4	(NO LONGER AVAILABLE)
9	CH19780	BOLT	2	



MP60226

Thank you so much for reading.
Please click the “Buy Now!”
button below to download the
complete manual.



After you pay.

You can download the most
perfect and complete manual in
the world immediately.

Our support email:

ebooklibonline@outlook.com