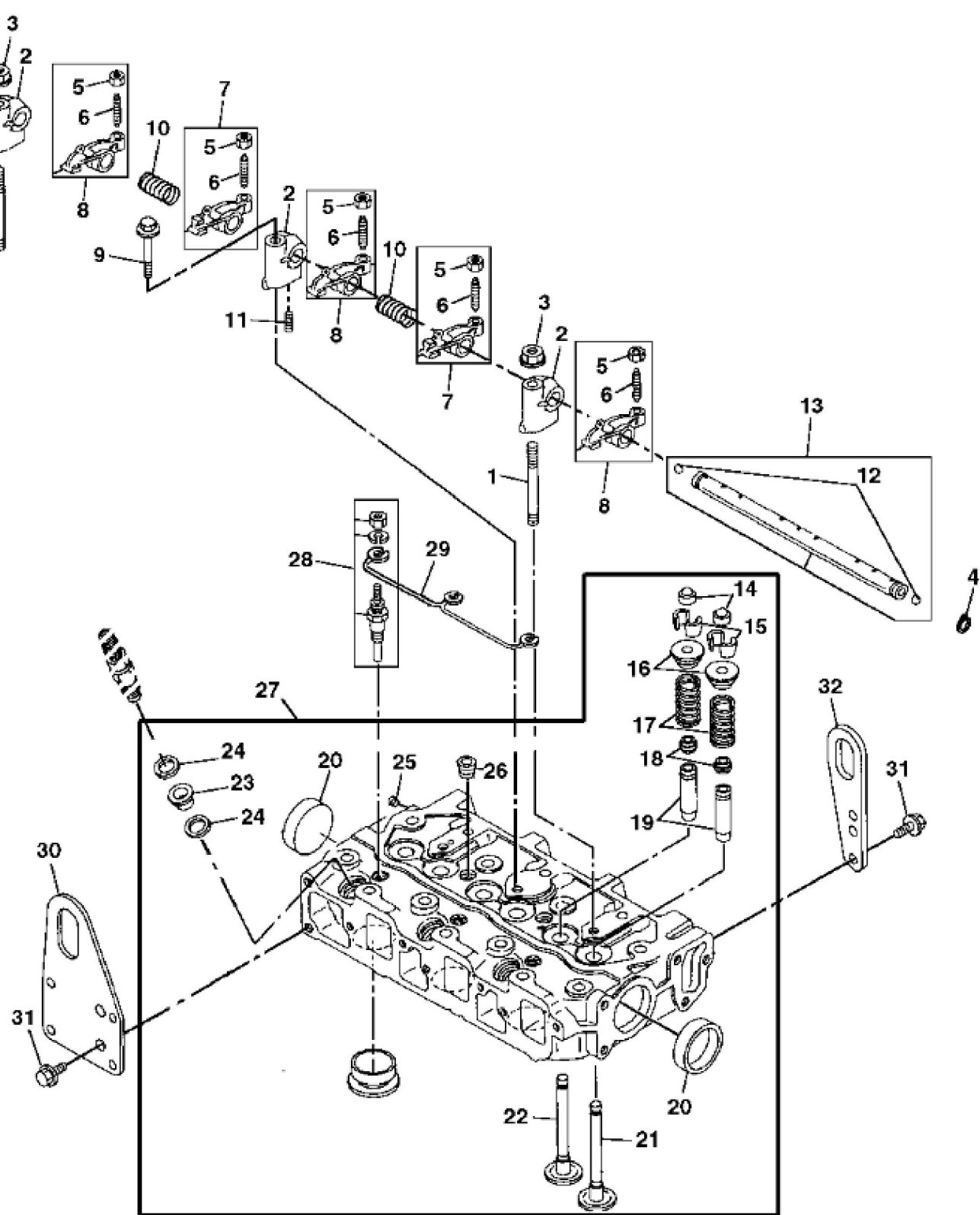


John Deere > Turf And Utility > UTILITY VEHICLE > HPX - UTILITY VEHICLE > 4X2 HPX and 4X4 HPX (Diesel) Gator Utility Vehicle > 20 ENGINE, 3TNE68C-EJUV AM131103 > ST559339 - CYLINDER BLOCK AND MAIN BEARINGS

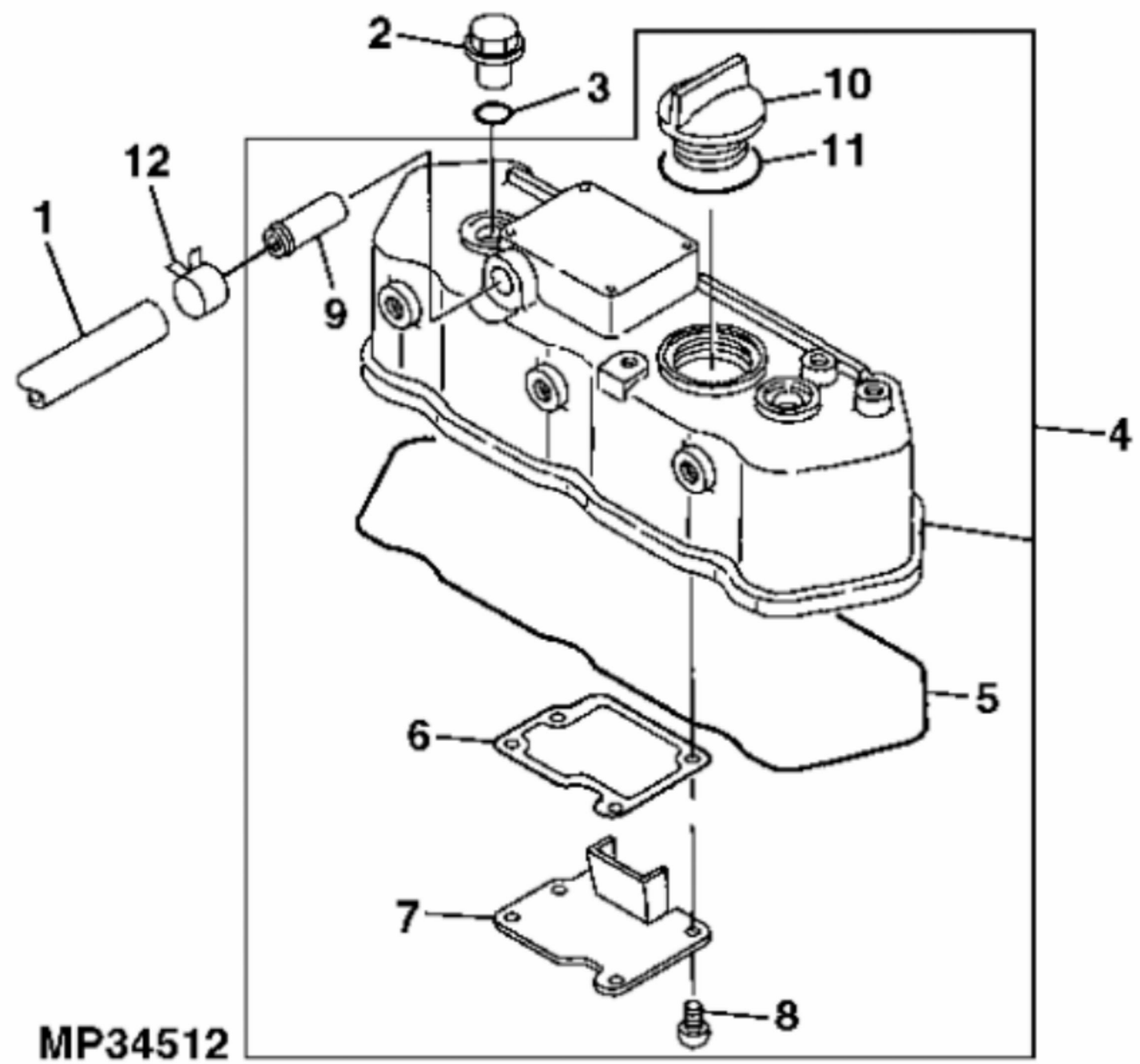
KEY	PART NO.	PART NAME	QTY	REMARKS
1	M808915	BOLT	14	
2	M807312	ENGINE CYLINDER HEAD GASKET	1	
3	AM878699	CYLINDER BLOCK	1	
4	CH18079	SPRING PIN	2	
5	CH17101	PLUG	4	
6	M808914	BUSHING	1	CAMSHAFT
7	19M7774	SCREW	3	M6 X 12
8	M89140	SHAFT	1	IDLE GEAR
9	M800002	PLUG	2	
10	M800006	DOWEL PIN	2	
11	CH15478	PLUG	1	
12	CH10314	PLUG	2	
13	M802255	PIN	2	
14	M802254	PIN	2	
15	30M7023	PLUG	2	
16	M809592	PIPE PLUG	1	
17	AM875060	BEARING KIT	2	THRUST
18	AM875059	BEARING KIT	4	MAIN, STD
18	AM875026	BEARING KIT	4	0.25 MM (.010") US, MAIN
19	.....	BEARING CAP	1	
20	.....	BEARING CAP	3	
21	M800012	BOLT	8	
22	AM100800	DRAIN VALVE	1	
..	AM131103	DIESEL ENGINE	1	(MARKED 3TNE68C-EJUV) (SUB AM881159)
..	MIA882703	SHORT BLOCK ASSEMBLY	1	SUB FOR AM881159



MP34513

John Deere > Turf And Utility > UTILITY VEHICLE > HPX - UTILITY VEHICLE > 4X2 HPX and 4X4 HPX (Diesel) Gator Utility Vehicle > 20 ENGINE, 3TNE68C-EJUV AM131103 > ST559340 - CYLINDER HEAD, VALVES AND ROCKER ARMS

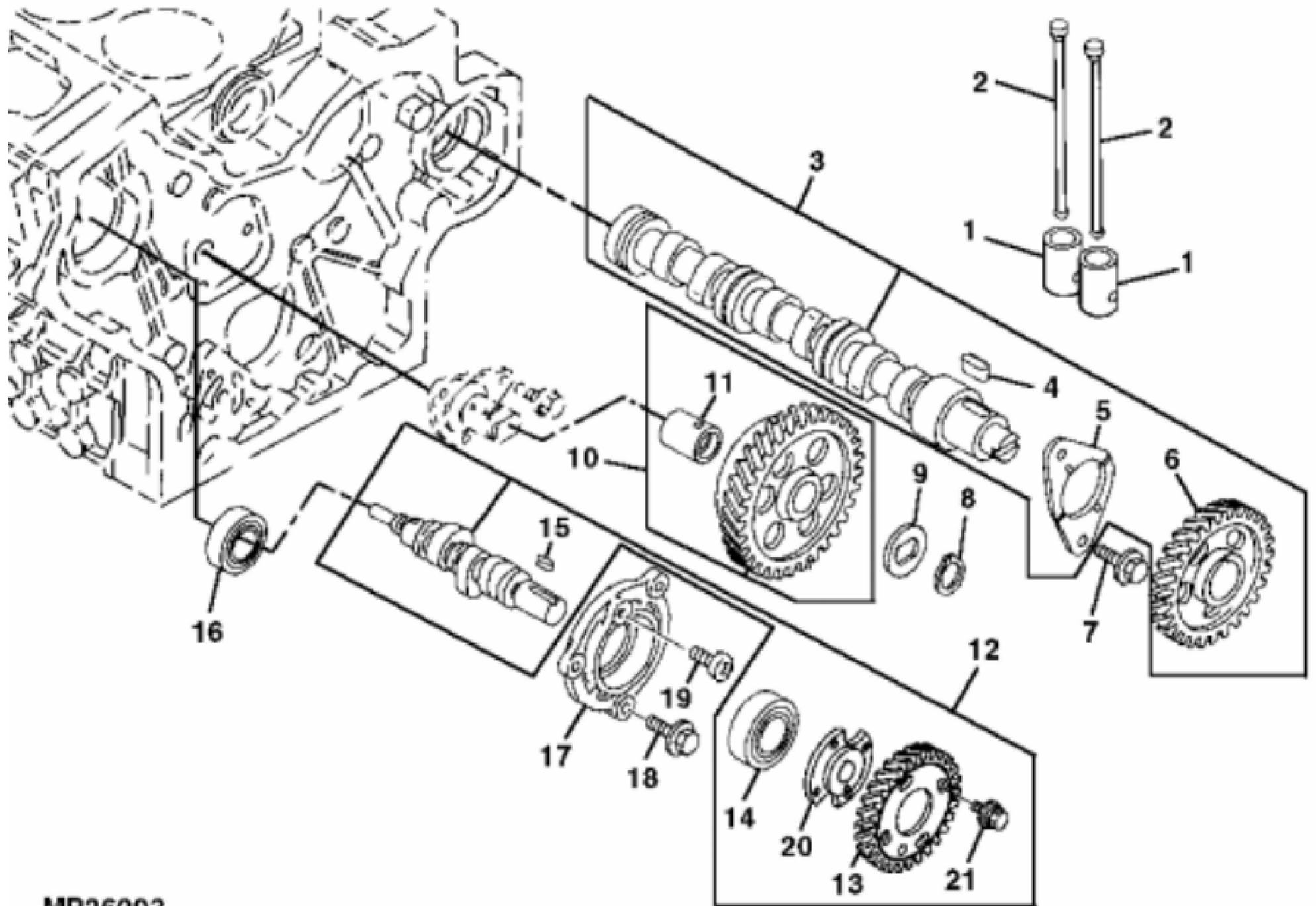
KEY	PART NO.	PART NAME	QTY	REMARKS
1	M87836	STUD	2	
2	M800024	SUPPORT	3	ROCKER ARM
3	14M7298	FLANGE NUT	2	M8
4	CH17950	RING	2	
5	14M7194	NUT	1	M6
6	M87841	SCREW	1	
7	AM875029	ROCKER ARM	3	EXHAUST
8	AM875028	ROCKER ARM	3	INTAKE
9	CH19101	BOLT	1	
10	M800025	SPRING	2	
11	M800069	SELF-LOCKING SCREW	1	
12	R63075	BALL	2	
13	AM875002	ROCKER ARM SHAFT	1	
14	M800023	CAP	6	
15	AM878864	RETAINER	6	(2/PKG)
16	M800020	HOLDER	6	
17	M800019	SPRING	6	VALVE
18	M800022	SEAL	6	NLA; ORDER MIU801996; VALVE STEM
18	MIU801996	SEAL	6	
19	M800067	GUIDE	6	VALVE
20	CH17438	PLUG	2	
21	M800017	INTAKE VALVE	3	
22	M800018	EXHAUST VALVE	3	
23	M89134	PACKING	3	
24	M89135	GASKET	6	NOZZLE
25	M87831	PLUG	1	
26	M806938	PLUG	2	
27	AM878678	CYLINDER HEAD	1	
28	M87919	GLOW PLUG	3	
29	M87920	ELEC. CONNECTOR TERMINAL	1	GLOW PLUG
30	M811608	BRACKET	1	LIFT EYE
31	CH19780	BOLT	4	
32	M811037	VALVE LIFTER	1	LIFT EYE



**MP34512**

John Deere > Turf And Utility >UTILITY VEHICLE >HPX - UTILITY VEHICLE >4X2 HPX and 4X4 HPX (Diesel) Gator Utility Vehicle >20 ENGINE, 3TNE68C-EJUV AM131103 >ST559341 - COVER ASSEMBLY, CYLINDER HEAD

KEY	PART NO.	PART NAME	QTY	REMARKS
1	AM882215	PIPE	1	500MM, CUT TO LENGTH, (SUB FOR M89133)
2	CH10348	NUT	2	
3	CH10568	PACKING	2	
4	AM882586	COVER KIT	1	(SUB FOR AM875027)
5	M809218	GASKET	1	(SUB FOR M807038 AND M802059); Bonnet
6	M805818	GASKET	1	Baffle
7	M800014	DEFLECTOR	1	
8	M807374	SCREW	4	
9	M807038	TUBE	1	
10	M805710	CAP	1	
11	M805711	PACKING	1	
12	M808318	CLAMP	1	
13	CH10061	RIVET	4	(Not Illustrated)



MP26003

Thank you so much for reading.  
Please click the “Buy Now!”  
button below to download the  
complete manual.



After you pay.

You can download the most  
perfect and complete manual in  
the world immediately.

Our support email:

[ebooklibonline@outlook.com](mailto:ebooklibonline@outlook.com)