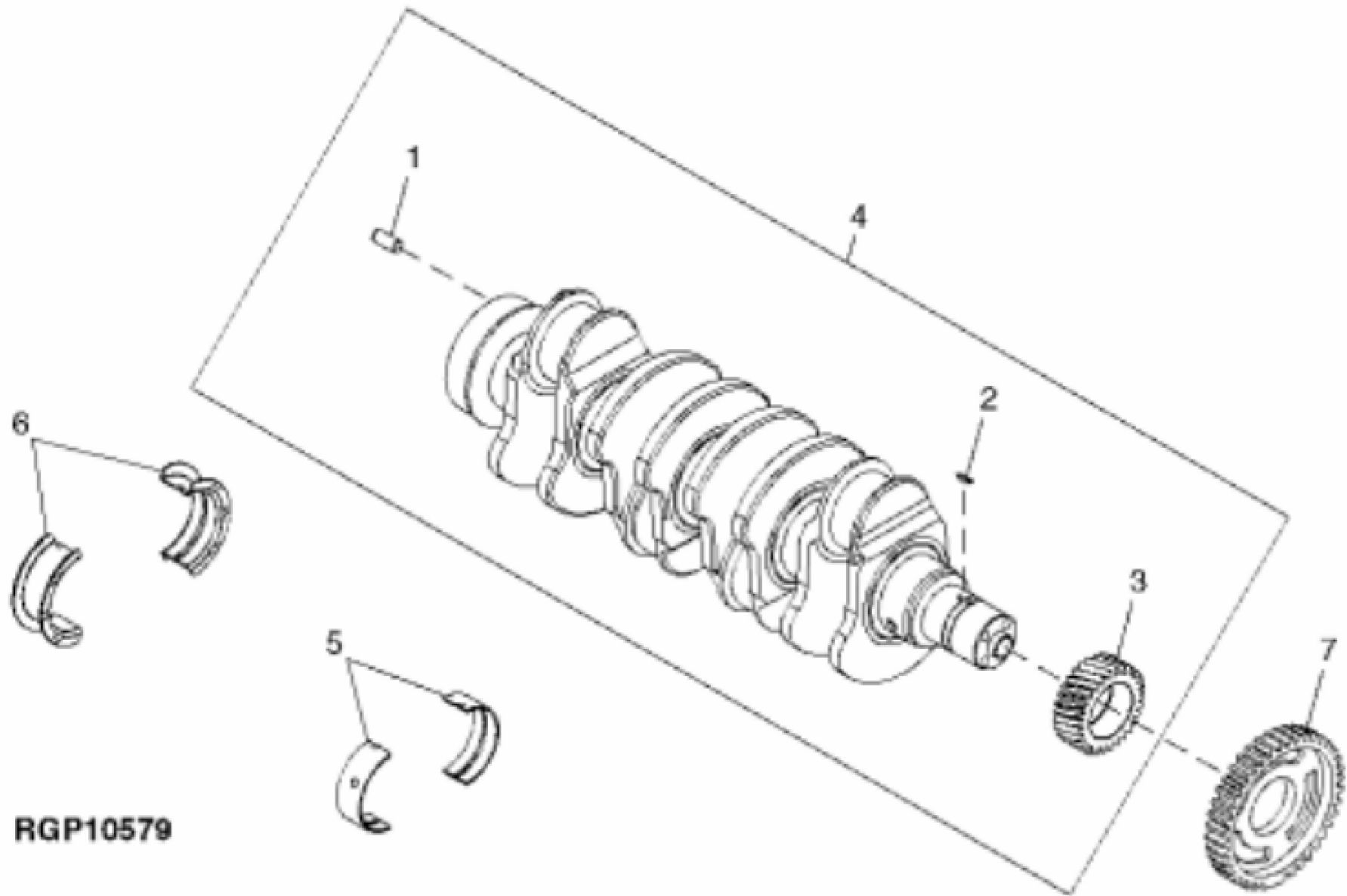
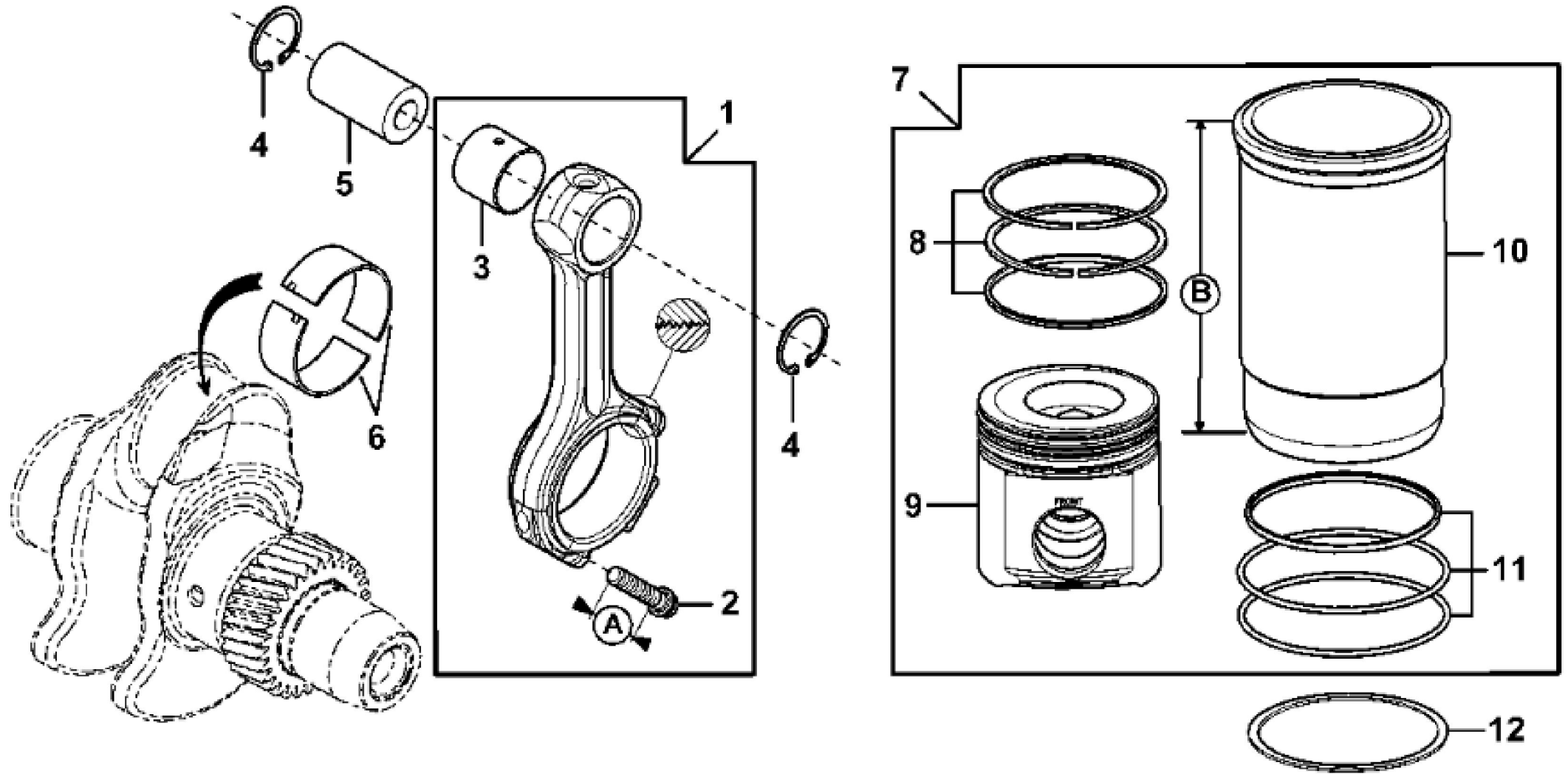


KEY	PART NO.	PART NAME	QTY	REMARKS
1	RE507595	CAMSHAFT	1	MARKED R504534
1	SE501815	CAMSHAFT REMAN		REMAN FOR RE507595
2	R133303	SHAFT KEY	1	
3	AT13740	DRAIN VALVE	1	SUB FOR RE56403
4	RE71255	PIPE PLUG	5	SUB FOR RE42713
5	R132518	PLATE	1	
6	19M8999	SCREW	2	M8 X 25
7	R116466	PLUG	1	
8	R115299	BUSHING	6	
9	RE505501	BLEED VALVE	1	
10	COMPRESSION SPRING	1	ORDER RE505501
11	R121043	VALVE	1	
12	R111137	SPRING	1	
13	B153R	DOWEL PIN	2	
14	R97185	O-RING	1	
15	15H695	PIPE PLUG	1	3/8"
16	R119874	BUSHING	1	
17	R114241	BEARING CAP	4	
18	R528387	CAP SCREW	10	
19	R114240	BEARING CAP	1	
20	RE508185	FITTING	2	
21	U13639	O-RING	1	
22	T18891	PLUG	2	
23	R131182	ORIFICE	4	
24	A120R	DOWEL PIN	4	
25	15H584	PIPE PLUG	1	1/2", SUB FOR 15H697
26	CYLINDER BLOCK	1	MARKED R534172; ORDER DZ10382



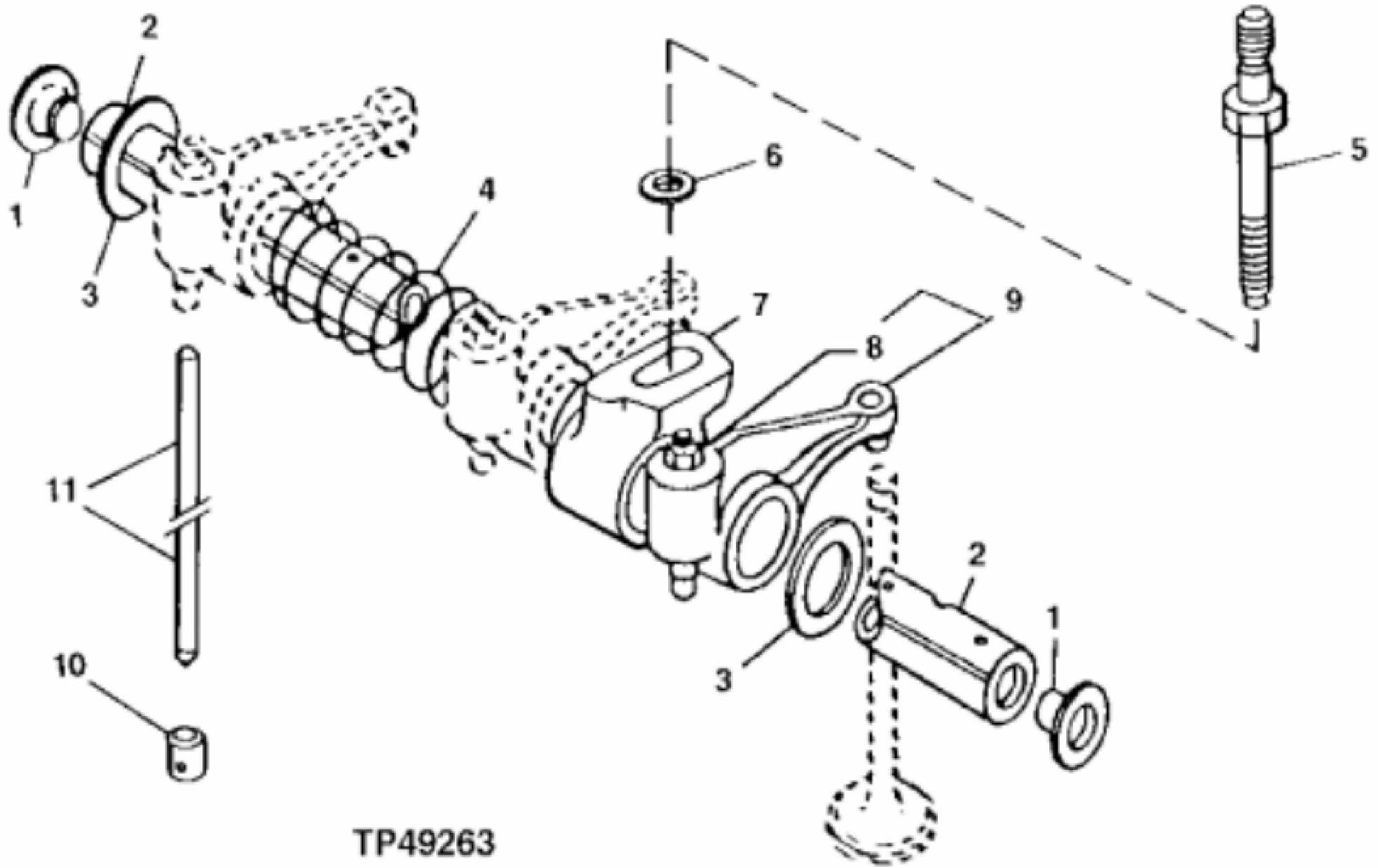
RGP10579

KEY	PART NO.	PART NAME	QTY	REMARKS
1	R48685	DOWEL PIN	1	
2	R505609	SHAFT KEY	1	
3	R120631	GEAR	1	Z = 30
4	RE504638	CRANKSHAFT	1	(MARKED R113596)
5	RE65165	BEARING KIT	4	(CONSISTS OFR123561 AND R123562) STD
5	RE65911	BEARING	AR	0.254 MM (.010 INCH) US, (CONSISTS OFR130576 AND R130577)
6	RE65168	BEARING KIT	1	(CONSISTS OF R123563 AND R123564)STD
6	RE65912	THRUST BEARING	1	0.254 MM (.010 INCH) US, (CONSISTS OF R130574 AND R130575)
7	R501489	WHEEL	1	



CDP45376

KEY	PART NO.	PART NAME	QTY	REMARKS
1	RE500002	CONNECTING ROD	4	MARKED R500000
1	SE501096	CONNECTING ROD REMAN	4	REMAN FOR RE500002
2	R501124	SCREW	2	A = 61 mm
3	R123960	BUSHING	1	
4	M41029	SNAP RING	8	
5	R123178	PISTON PIN	4	OD = 35 mm; LGTH = 72 mm
6	RE65908	BEARING	4	STD, MARKED (2) R113698
6	RE65909	BEARING	AR	(Grinding Guidelines : See CTM104) 0.254 mm; US, MARKED (2) R130578
7	RE507920	PISTON-LINER KIT	4	
8	RE507852	PISTON RING KIT	1	PACKG (3)
9	PISTON	1	NSEP; ORDER RE507920 ,MARKED RE515372
10	CYLINDER LINER	1	B = 218 mm, NSEP; ORDER RE507920
11	AR65507	O-RING KIT	1	PACKG 3
12	CD15466	SHIM	AR	TK = 0.05 mm
12	R65833	SHIM	AR	TK = 0.10 mm



TP49263

Thank you so much for reading.
Please click the “Buy Now!”
button below to download the
complete manual.



After you pay.

You can download the most
perfect and complete manual in
the world immediately.

Our support email:

ebooklibonline@outlook.com