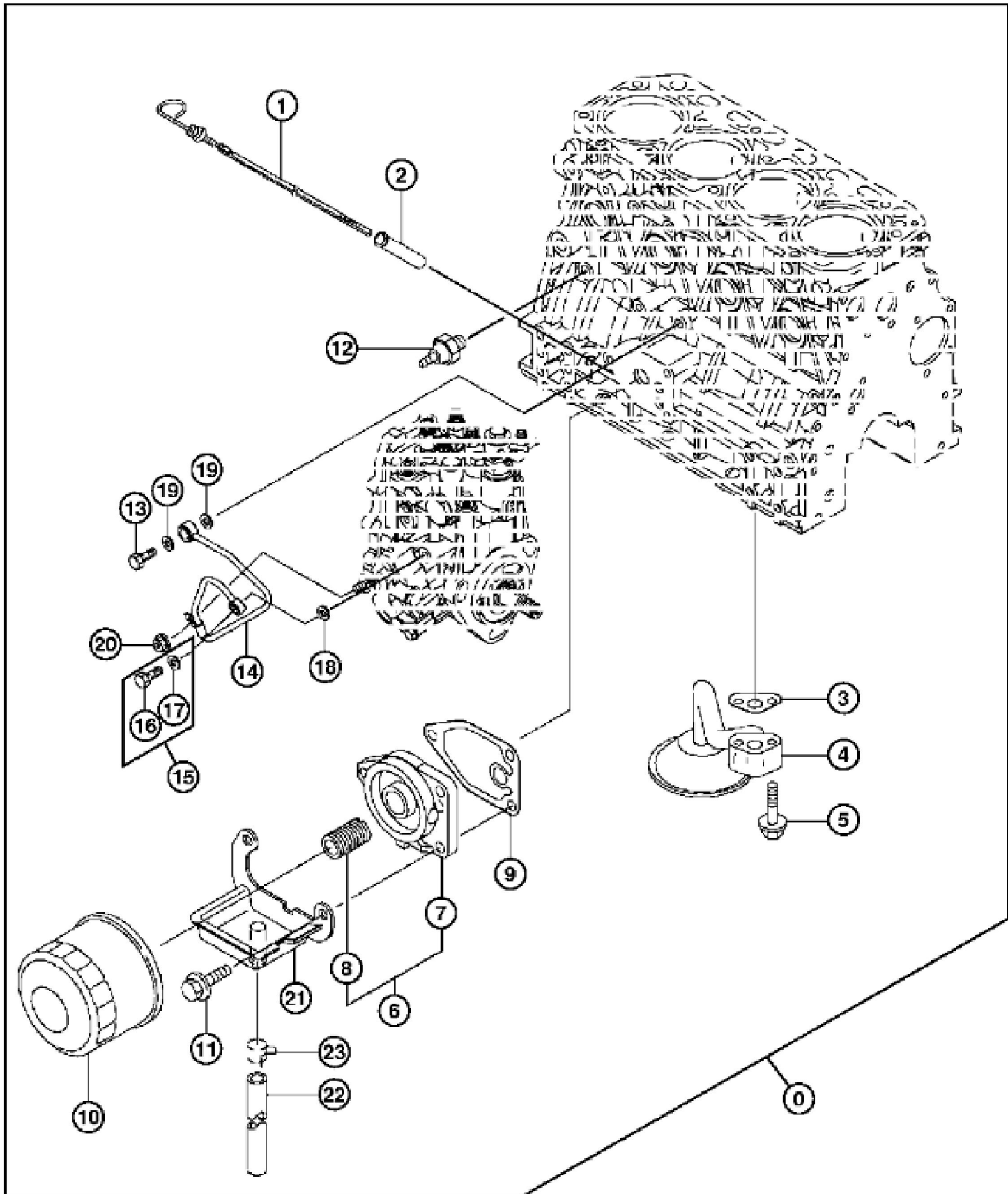


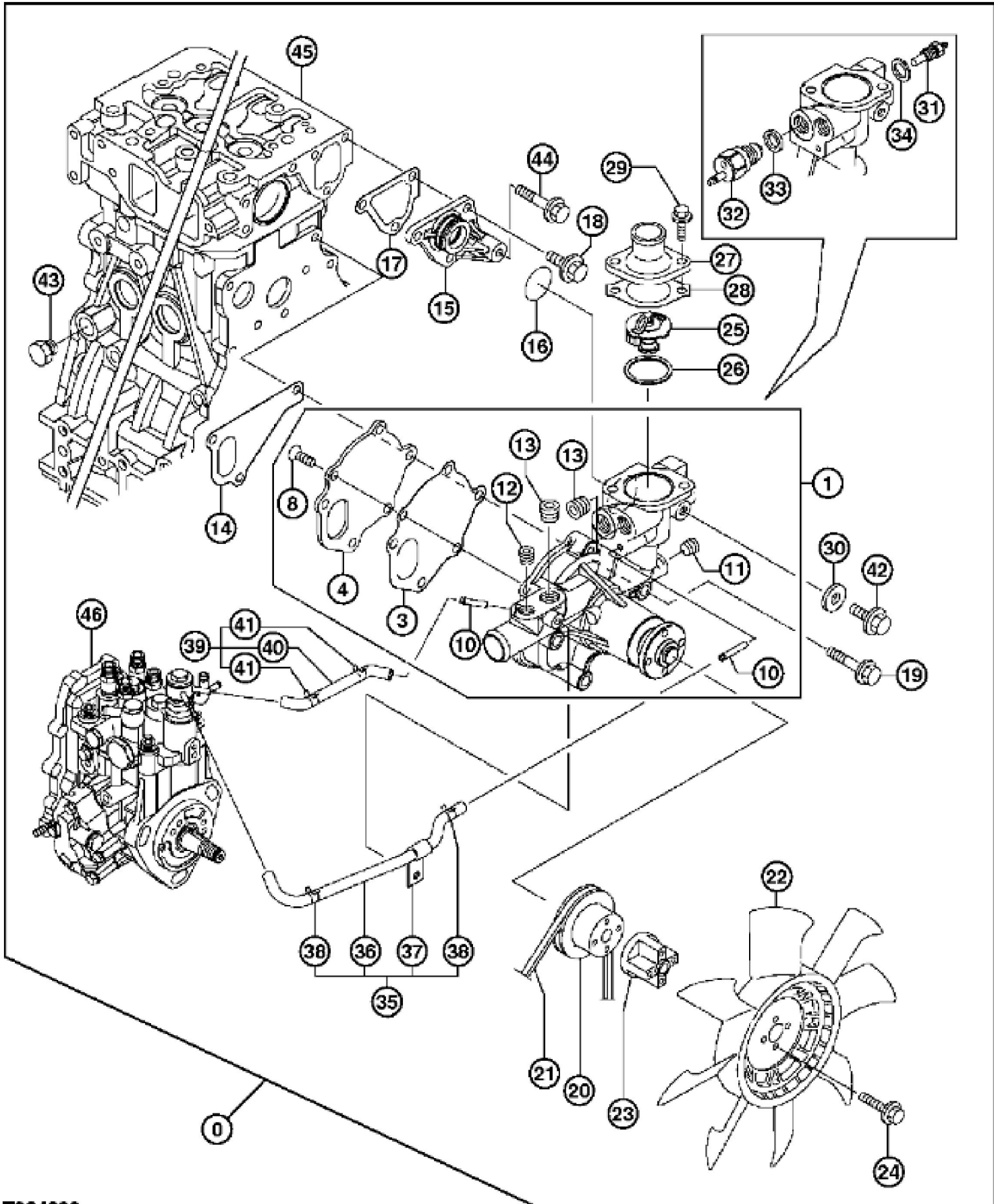
KEY	PART NO.	PART NAME	QTY	REMARKS
0	DIESEL ENGINE	1	(4638565 NLA, SUB COMPONENTS), (SUB FOR AT318276 (ADDITIONAL COMPONENTS LISTED ON SEPARATE PAGES))
1	M801046	CAM FOLLOWER	8	
2	M801238	PUSH ROD	8	
3	AM875386	CAMSHAFT	1	
4	M801237	THRUST BEARING	1	
7	M801044	GEAR	1	
8	M801045	SHAFT KEY	1	
9	M811055	SHAFT	1	
10	AM881829	GEAR	1	
13	M811150	BUSHING	1	
14	M89128	BOLT	3	
15	M811057	GEAR	1	
16	RG60871	BOLT	4	
17	CH19780	BOLT	2	
18	FLANGE	1	
19	12M7068	LOCK WASHER	1	14 mm
20	CH17448	NUT	1	
21	CYLINDER BLOCK	1	(SEE SEPARATE PAGE FOR DETAIL)
22	FLANGE	1	(SEE SEPARATE PAGE FOR DETAIL)
23	FUEL INJECTION PUMP	1	(SEE SEPARATE PAGE FOR DETAIL)
24	AM881832	SHORT BLOCK ASSEMBLY	1	(ADDITIONAL COMPONENTS LISTED ON SEPARATE PAGES)

KEY	PART NO.	PART NAME	QTY	REMARKS
0	DIESEL ENGINE	1	(4638565 NLA, SUB COMPONENTS), (SUB FOR AT318276 (ADDITIONAL COMPONENTS LISTED ON SEPARATE PAGES))
1	CRANKSHAFT	1	(12960121001 NLA)
2	M802255	PIN	1	
5	GEAR	1	(M811053 NLA)
6	M801045	SHAFT KEY	1	
8	CH15575	PIN	1	
9	M811533	PULLEY	1	
10	M801055	WASHER	1	
11	CH16798	BOLT	1	
12	CH19291	BOLT	6	
13	AM881806	FLYWHEEL	1	
16	RING GEAR	1	(11986521600 NLA)
17	AM881814	PISTON	4	
17	AM881811	PISTON	4	(.25 - OS) (ORDER SEPARATELY)
19	AM881812	PISTON RING KIT	4	
19	AM881810	PISTON RING KIT	4	(.25 - OS) (ORDER SEPARATELY)
23	M806456	PISTON PIN	4	
24	M806457	CLIP	8	
25	AM875391	CONNECTING ROD	4	
29	M801256	BEARING	4	
30	CH15483	BOLT	8	
31	AM875392	BEARING	4	
31	MIA880568	BEARING	4	(.25 - US) (ORDER SEPARATELY), (SUB FOR AM875395)
32	AM881832	SHORT BLOCK ASSEMBLY	1	(ADDITIONAL COMPONENTS LISTED ON SEPARATE PAGES)



T204085

KEY	PART NO.	PART NAME	QTY	REMARKS
0	DIESEL ENGINE	1), Furnish Components Not Illustrated Complete Engine Assembly, (4638565 NLA, SUB FOR AT318276
1	MIU800148	DIPSTICK	1	(SUB FOR AT318126 OR MIU800026)
2	CH15495	GUIDE	1	
3	M811792	GASKET	1	
4	RG60279	OIL LINE	1	
5	CH19090	BOLT	2	(SUB FOR M87884)
6	AM881827	BRACKET	1	
7	M811062	BRACKET	1	
8	T110711	STUD	1	
9	M805830	GASKET	1	
10	MIU800651	OIL FILTER	1	122 mm Long, (SUB FOR 4641043)
10	MIU800650	OIL FILTER	1	Use for 102 mm Long Applications
11	19M7866	SCREW	3	M8 X 20, (SUB FOR CH19139)
12	M809526	SWITCH	1	
13	CH10361	BOLT	1	
14	AM881826	PIPE	1	
15	AM881809	BOLT	1	
16	CH16843	HOLLOW SCREW	1	
17	M803523	WASHER	1	
18	M803523	WASHER	1	
19	M806437	WASHER	2	
20	14M7303	FLANGE NUT	1	M6
21	AT318127	PLATE	1	
22	HOSE	1	23065120230 NLA
23	CLAMP	1	23080014000 NLA



T204099

Thank you so much for reading.
Please click the “Buy Now!”
button below to download the
complete manual.



After you pay.

You can download the most
perfect and complete manual in
the world immediately.

Our support email:

ebooklibonline@outlook.com