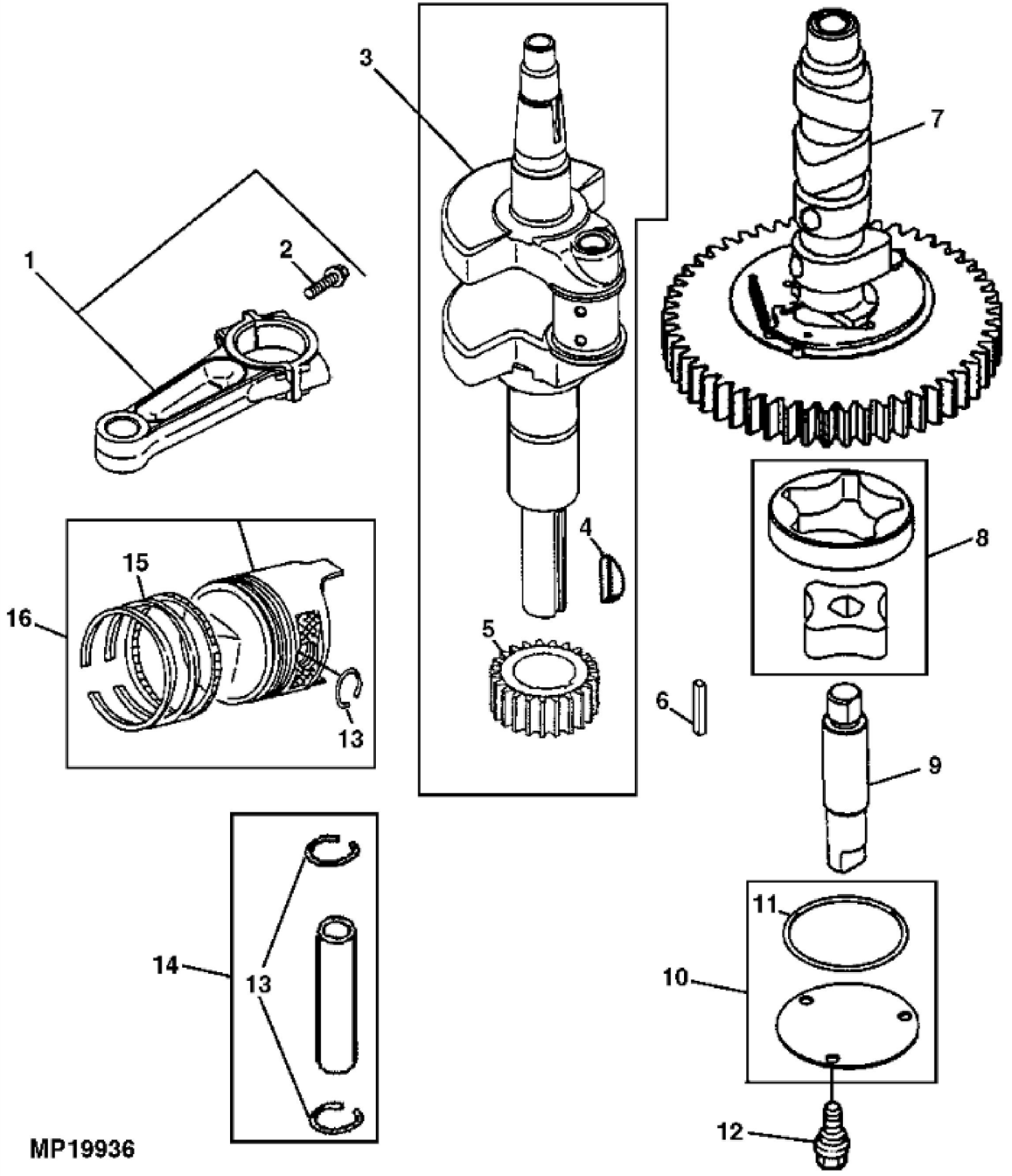


PU01597

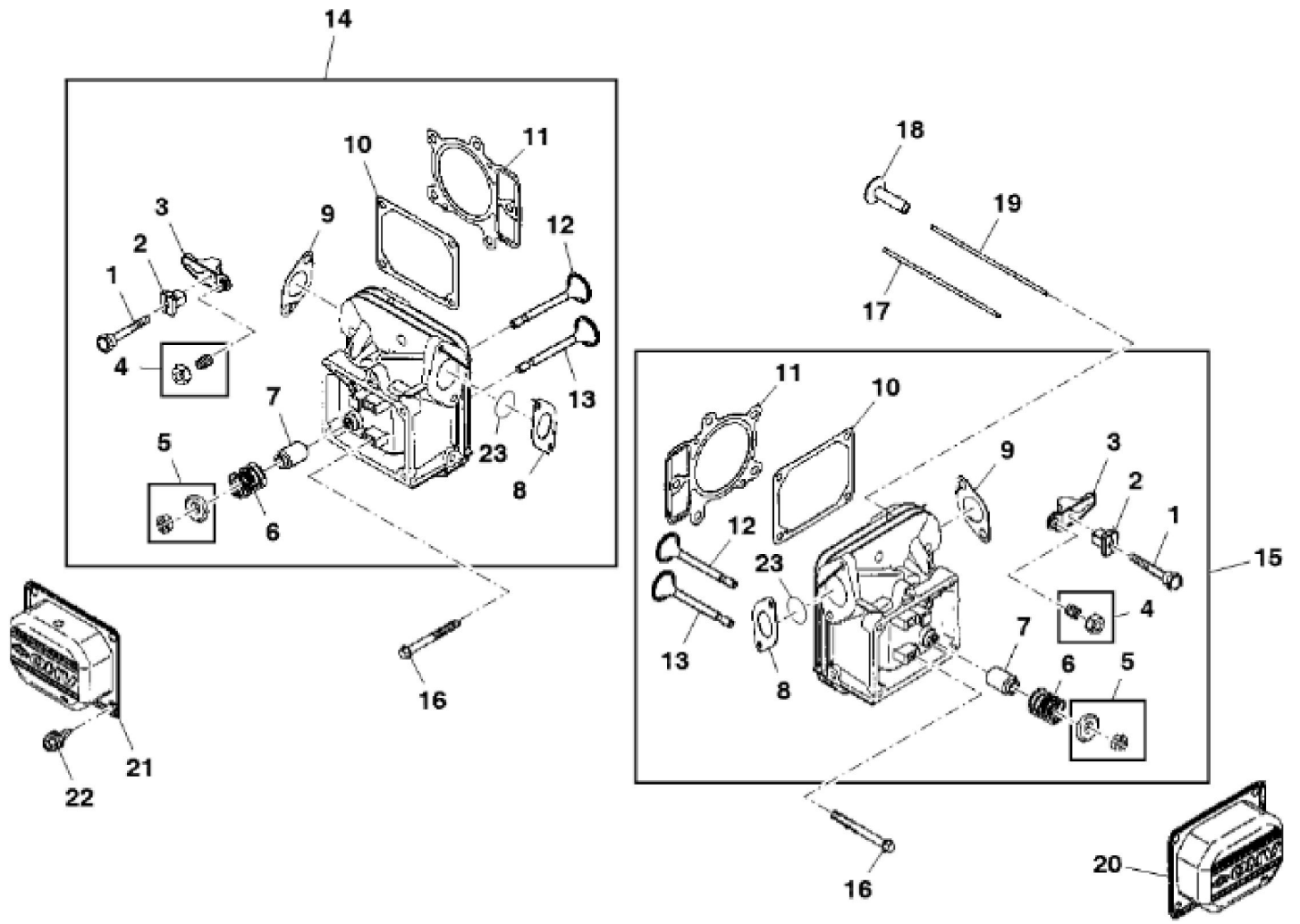
KEY	PART NO.	PART NAME	QTY	REMARKS
1	UC11104	DIPSTICK	1	SUB FOR LG499602
2	LG691031	O-RING	1	
3	LG691036	DIPSTICK	1	
4	LG691032	SEAL	1	
5	LG691037	OIL TUBE	1	
6	LG691108	SCREW	1	8 X 1/2, USE WITH AM134710)
6	37H74	SCREW	1	USE WITH AM133843)
6	M153266	SCREW	1	
7	LG391086S	SEAL	1	
8	MIA11778	SEAL KIT	1	(SUB FOR LG499585)
9	LG690959	DOWEL PIN	1	
10	AM134026	CYLINDER BLOCK	1	
10	MIA11033	CYLINDER	1	NLA; ORDER MIA12510; (USE WITH MIA10361)
10	MIA13076	CYLINDER	1	SUB FOR MIA12510
11	MIU14436	GASKET	1	SUB FOR M150226 AND MIU13979
12	LG690770	SCREEN	1	
12	MIU12140	SCREEN	1	(USE WITH MIA11584)
13	LG690946	DRAIN PLUG	1	NLA; ORDER 15H623 (USE WITH MIA11584)
13	15H623	PIPE PLUG	1	3/8", (SUB FOR LG691680)
13	LG691680	DRAIN PLUG	1	
14	LG690954	THREADED NIPPLE	1	
15	15H638	PIPE PLUG	1	1/8"
16	MIU11958	SEAL	1	(SUB FOR LG690947 OR MIU11212)
17	M142284	SEAL	1	NLA; ORDER MIU11284; Governor Shaft
17	MIU11284	SEAL	1	USE WITH MIA11584
18	M142281	BUSHING	1	GOVERNOR CRANK
19	AM134054	RESERVOIR	1	NLA, (SUB MIA11584)
19	MIA11584	RESERVOIR	1	(ALSO INCLUDES MIU12143, MIA11464 AND (3) MIU12142)
20	GY20577	OIL FILTER	1	(NLA) KIT, (W/PACKAGING)
20	AM125424	OIL FILTER	1	
21	LG690957	RETAINER	1	
22	MIU11502	BREATHER	1	(SUB FOR LG690956)
23	LG691108	SCREW	3	8 X 1/2
24	LG690942	STRUCTURAL TUBE	1	ORDER MIU11280
24	MIU11280	BREATHER	1	

KEY	PART NO.	PART NAME	QTY	REMARKS
25	LG690937	GASKET	1	
26	MIA10872	BREATHER	1	(SUB FOR LG499601)
27	M142896	SCREW	10	
28	LG691045	CRANK	1	GOVERNOR
29	M142282	BUSHING	2	
30	M142286	RETAINER	1	
31	M142280	WASHER	1	
32	GC00331	SCREW	4	ORDER GX24210; ENGINE MOUNTING
32	GX24210	SCREW	4	
33	AM131611	DRAIN PLUG	1	OIL DRAIN
34	TUBE	1	
35	T77932	O-RING	1	
36	M144897	CAP	1	
..	AM134710	GASOLINE ENGINE	1	(MARKED 406577-0139-E1) (SUB AM133843)
..	AM133843	GASOLINE ENGINE	1	(MARKED 406777-0139-E1) (SUB MIA10361)
..	AM135086	LABEL KIT	1	
..	MIA10361	GASOLINE ENGINE	1	(MARKED 441577-0113-E1)



MP19936

KEY	PART NO.	PART NAME	QTY	REMARKS
1	MIA11459	CONNECTING ROD	2	(SUB FOR LG499583 OR AM135101)
2	LG690976	SCREW	2	
3	AM135083	CRANKSHAFT	1	(ENGINE MARKED 406577-0139-E1) (SUB MIA11457)
3	MIA10376	CRANKSHAFT	1	(ENGINE MARKED 406777-0139-E1) (SUB FOR LG691046)
3	MIA11457	CRANKSHAFT	1	(INCLUDES LG690980) (USE WITH MIA10361)
4	26H67	SHAFT KEY	1	1/8" X 3/8", (SUB FOR 26H4)
5	LG690980	GEAR	1	TIMING
6	LG222698S	SHAFT KEY	1	FLYWHEEL
7	M151221	SHAFT	1	CAM
8	MIA11172	OIL PUMP	1	(SUB FOR LG499054)
8	MIU12143	OIL PUMP	1	(USE WITH MIA11584)
9	LG691042	SHAFT	1	NLA; ORDER MIA11172
9	MIA11172	OIL PUMP	1	
10	LG499613	COVER	1	
10	MIA11464	COVER	1	(USE WITH MIA11584)
11	LG690589	SEAL	1	
11	MIU12153	SEAL	1	(USE WITH MIA11584)
12	M151228	SCREW	3	
12	MIU12142	SCREW	3	(USE WITH MIU12143)
13	LG690975	LOCK	2	
14	LG690229	PISTON PIN	2	
15	LG499604	PISTON RING KIT	1	STD
15	LG499606	PISTON RING KIT	1	.50 MM (.020") OS, (SUB MIA11102)
15	MIU12013	PISTON RING KIT	1	STD, (USE WITH MIA11346) (SUB FOR MIU12180)
15	MIU11282	PISTON RING KIT	1	SUB FOR MIU11453; STD
16	LG499588	PISTON REPLACEMENT KIT	2	STD; NLA; ORDER MIA11346
16	LG499590	PISTON REPLACEMENT KIT	2	.50 MM (.020") OS, NLA; ORDER MIA11102
16	MIA10996	PISTON	2	(USE WITH MIA10361)
16	MIA11346	PISTON	2	
..	MIA11102	PISTON REPLACEMENT KIT	2	.50 MM (.020") OS, (INCLUDES PISTON, RINGS AND LOCK)



Thank you so much for reading.
Please click the “Buy Now!”
button below to download the
complete manual.



After you pay.

You can download the most
perfect and complete manual in
the world immediately.

Our support email:

ebooklibonline@outlook.com