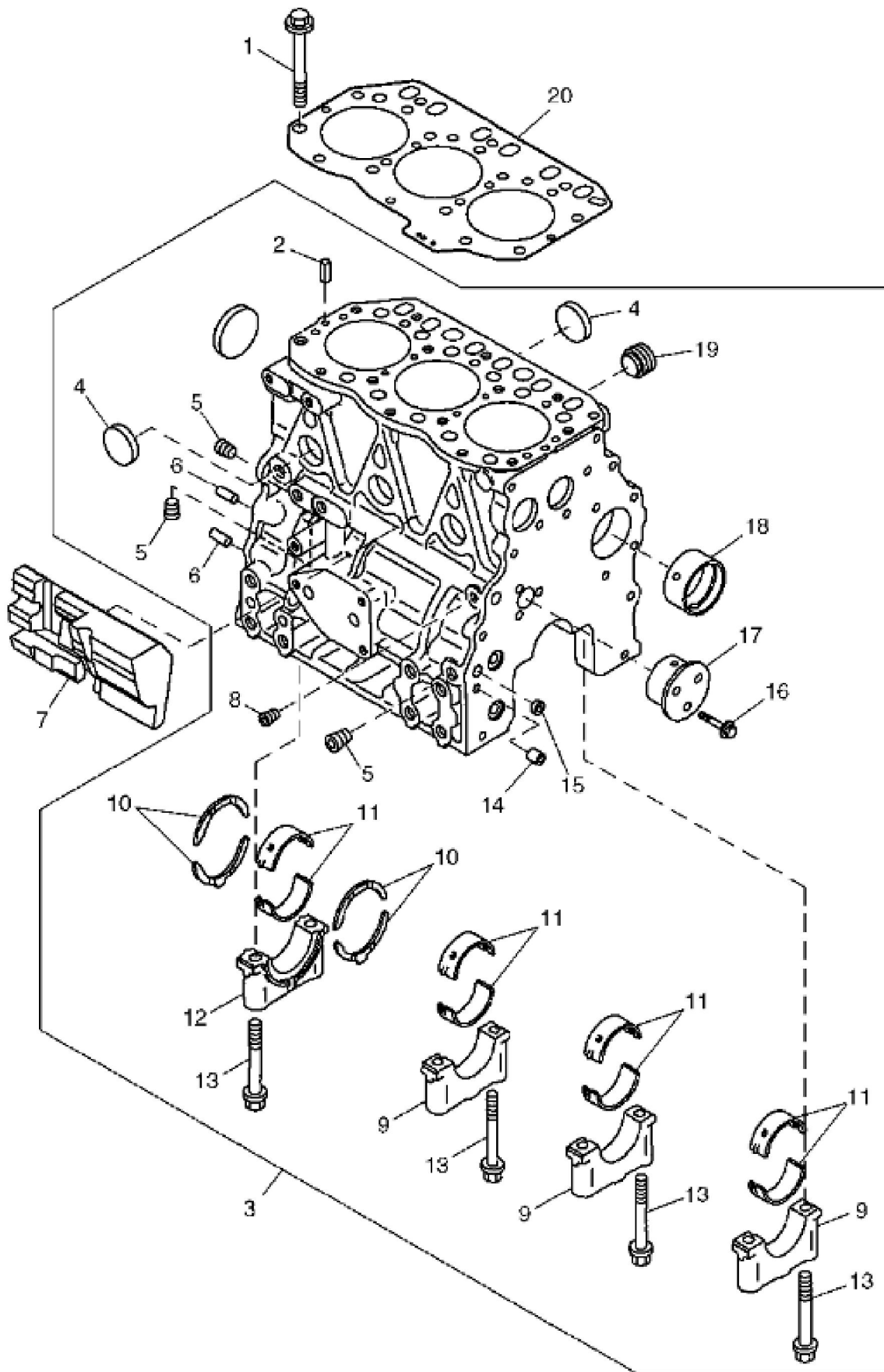


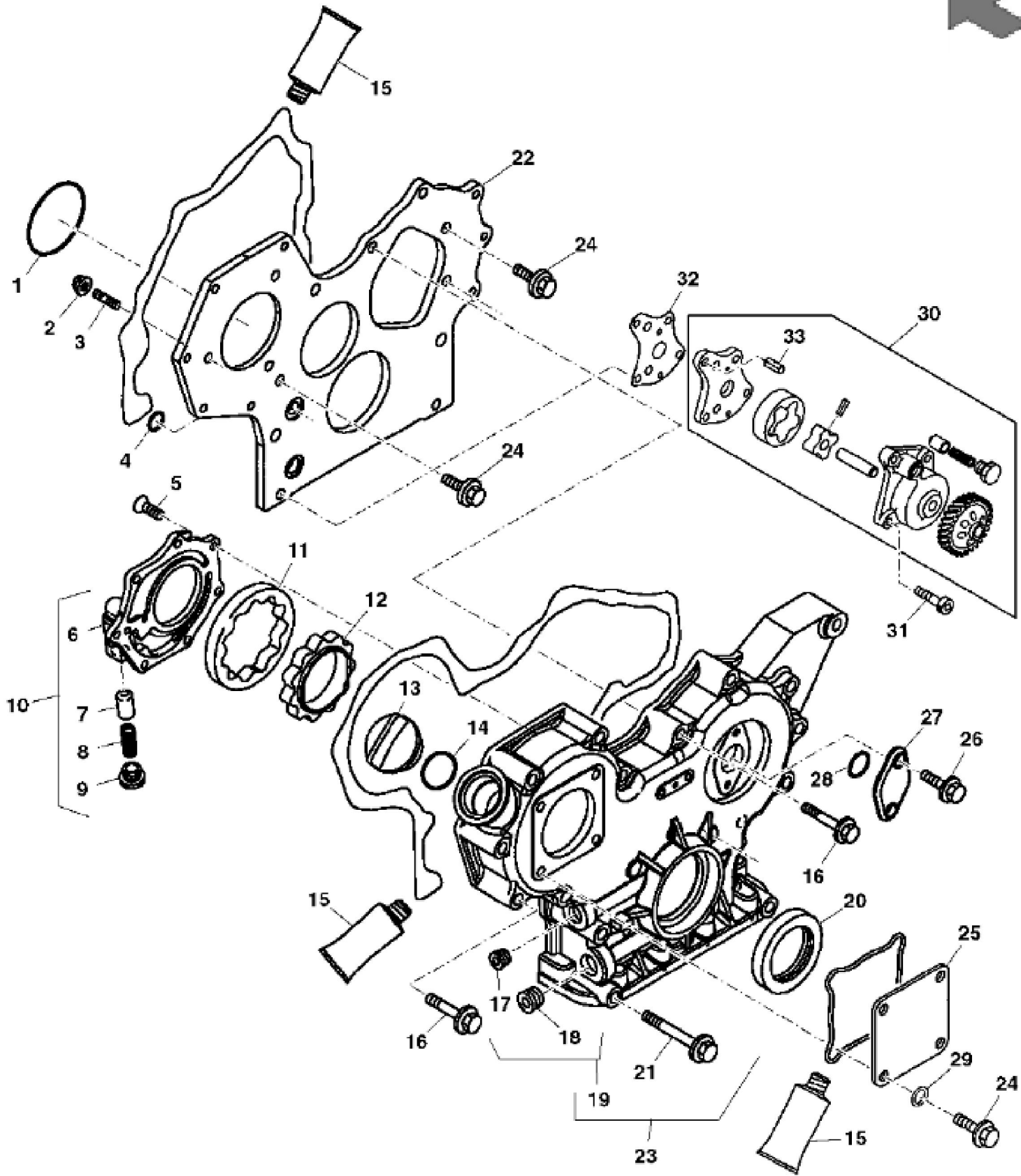
MP35330

KEY	PART NO.	PART NAME	QTY	Serial No.	REMARKS
1	14M7401	LOCK NUT	6		M12
2	DMA210529	ISOLATOR	4		
3	24H1734	WASHER	4		17/32" X 1-3/4" X 0.105"
4	19M7817	SCREW	4		M12 X 70
5	19M7866	SCREW	3		M8 X 20
6	19M7786	SCREW	2		M10 X 30
7	19M7814	SCREW	2		M12 X 50
8	DMU211104	BRACKET	1		FRONT MOUNT
9	AM133453	DIESEL ENGINE	1	____-030100	(3TNV82A-KJMZ);NLA SUB AM882051
9	MIA10863	DIESEL ENGINE	1	____-070000	(3TNV82A-BKJMZ)
9	MIA12553	DIESEL ENGINE	1	070001-080000	(3TNV82A-BKJMZ)
9	MIA12426	DIESEL ENGINE	1	080001-____	(3TNV82A-BKJMZT) NLA; ORDER MIA882680
9	MIA882680	SHORT BLOCK ASSEMBLY	1		3TNV82A-BKJMZ; SUB FOR MIA880853
9	AM882051	SHORT BLOCK ASSEMBLY	1		NLA; ORDER MIA882679
10	TCA18808	BRACKET	2		REAR MOUNT (SUB FOR DMU211134)
11	TCU33294	SELF-LOCKING SCREW	8		SUB FOR DMU211511



BLOCK AND MAIN BEARINGS

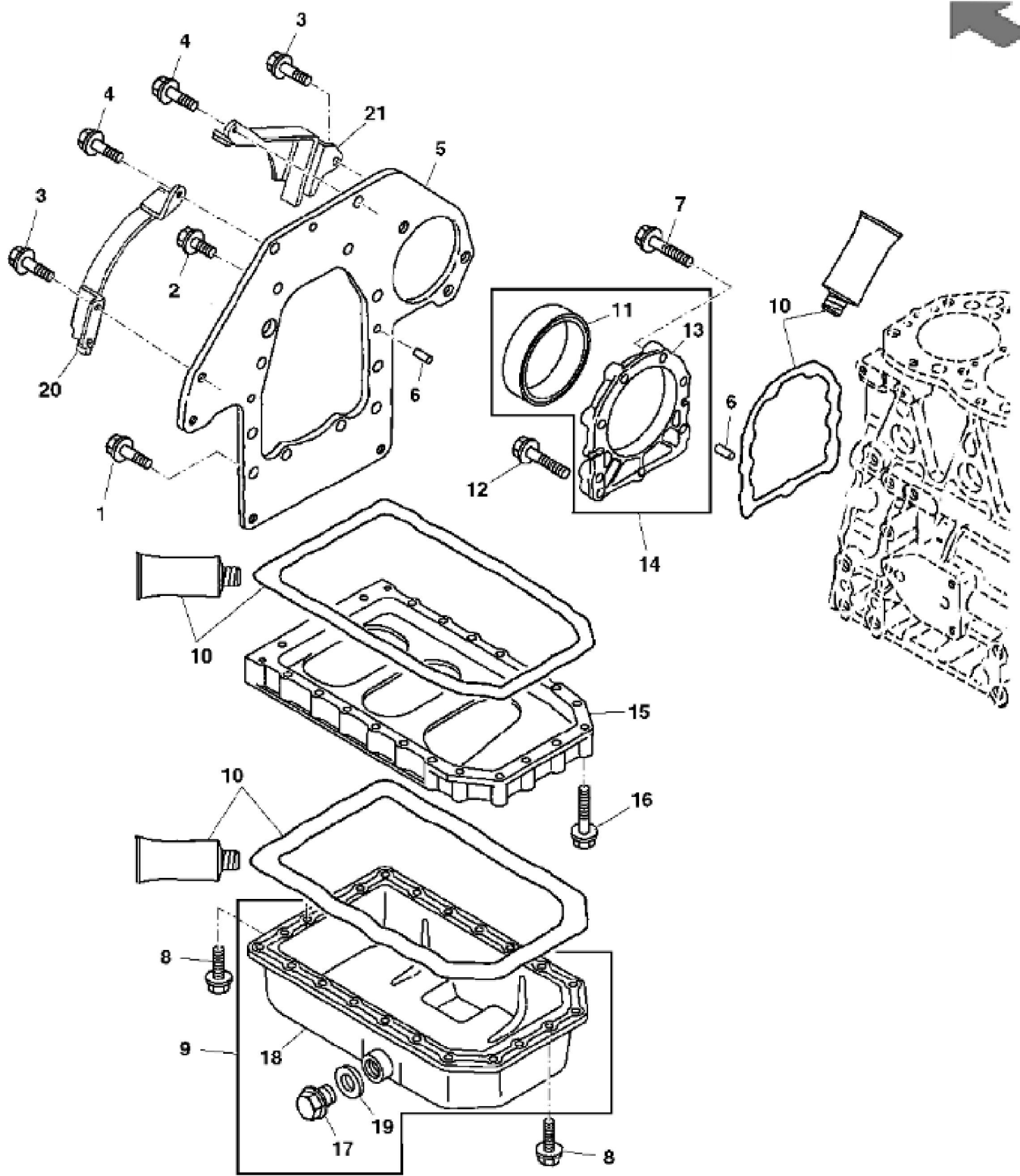
KEY	PART NO.	PART NAME	QTY	Serial No.	REMARKS
1	M800970	BOLT	14		
2	CH18079	SPRING PIN	2		
3	AM881997	CYLINDER BLOCK	1	____-030100	
3	MIA880848	CYLINDER BLOCK	1	030101-____	
4	30M7023	PLUG	6		
5	CH10335	PLUG	3		
6	M802255	PIN	4		
7	M811352	SPACER	1		
8	CH10314	PLUG	1		
9	BEARING CAP	3		(ORDER AM881997)
10	MIA880553	BEARING	2		STD (SUB FOR AM875301)
10	MIA880557	BEARING	2		0.25MM (0.010") US, MAIN (SUB FOR AM875594)
11	MIA880559	BEARING KIT	4		STD (SUB FOR AM882053)
11	MIA880549	BEARING	4		0.25MM (0.010") US, MAIN (SUB FOR AM875302)
12	BEARING CAP	1	____-030100	(ORDER AM881997)
12	BEARING CAP	1	030101-____	(ORDER MIA880848)
13	M87879	BOLT	8		
14	M800974	PIPE	2		
15	M87801	PLUG	2		
16	19M8317	SCREW	3		M8 X 40
17	M811055	SHAFT	1	____-030100	IDLER GEAR
17	MIU800797	SHAFT	1	030101-____	
18	MIU800573	BUSHING	1		CAMSHAFT (SUB FOR M800977)
19	15H562	PIPE PLUG	1		1"
20	M810048	ENGINE CYLINDER HEAD GASKET	1		



John Deere > Turf And Utility >TRACTOR, LAWN AND GARDEN >Z997 - TRACTOR, LAWN AND GARDEN >997 Mid-Mount ZTrak (Worldwide Edition) >20 ENGINE DMM210413 >ST501504 - GEAR CASE AND OIL PUMP

KEY	PART NO.	PART NAME	QTY	Serial No.	REMARKS
1	CH16940	O-RING	1		
2	14M7298	FLANGE NUT	3		M8
3	MIU800440	STUD	3		
4	M810185	O-RING	4		
5	M811061	SCREW	7	____-030100	
6	COVER	1	____-030100	(ORDER AM881828)
7	PRESSURE RELIEF VALVE	1	____-030100	(ORDER AM881828)
8	RG60607	SPRING	1	____-030100	
9	PLUG	1	____-030100	LOW PRESSURE (ORDER AM881828)
10	AM881828	COVER	1	____-030100	LUBE OIL PUMP
11	M811060	ROTOR	1	____-030100	OUTER
12	M811059	ROTOR	1	____-030100	INNER
13	M805710	CAP	1		OIL FILL
14	M805711	PACKING	1		
15	M64850	SEALANT	AR		
16	19M7979	SCREW	12		M8 X 55
17	M806938	PLUG	1	____-030100	
18	LVU800081	PLUG	1		
19	GEAR CASE	1	____-030100	(ORDER AM881791)
20	M811078	SEAL	1		
21	CH19136	BOLT	3		
22	M811042	FLANGE	1	____-030100	GEAR CASE
22	MIU800874	FLANGE	1	030101-____	
23	AM881791	GEAR CASE	1	____-030100	
23	MIA880879	GEAR CASE	1	030101-____	
24	19M7865	SCREW	7		M8 X 16
25	CH18096	COVER	1		
26	19M7774	SCREW	2		M6 X 12
27	MIU800476	COVER	1		(SUB FOR M87874)
28	CH13526	PACKING	1	____-030100	
28	CH17653	PACKING	1	030101-____	
29	M803523	WASHER	5	030101-____	
30	AM878778	PUMP	1	030101-____	
31	M800676	BOLT	4	030101-____	

KEY	PART NO.	PART NAME	QTY	Serial No.	REMARKS	
32	M801005	GASKET	1	030101-____		
33	CH10539	SPRING PIN	1	030101-____		



PU01758

Thank you so much for reading.
Please click the “Buy Now!”
button below to download the
complete manual.



After you pay.

You can download the most
perfect and complete manual in
the world immediately.

Our support email:

ebooklibonline@outlook.com