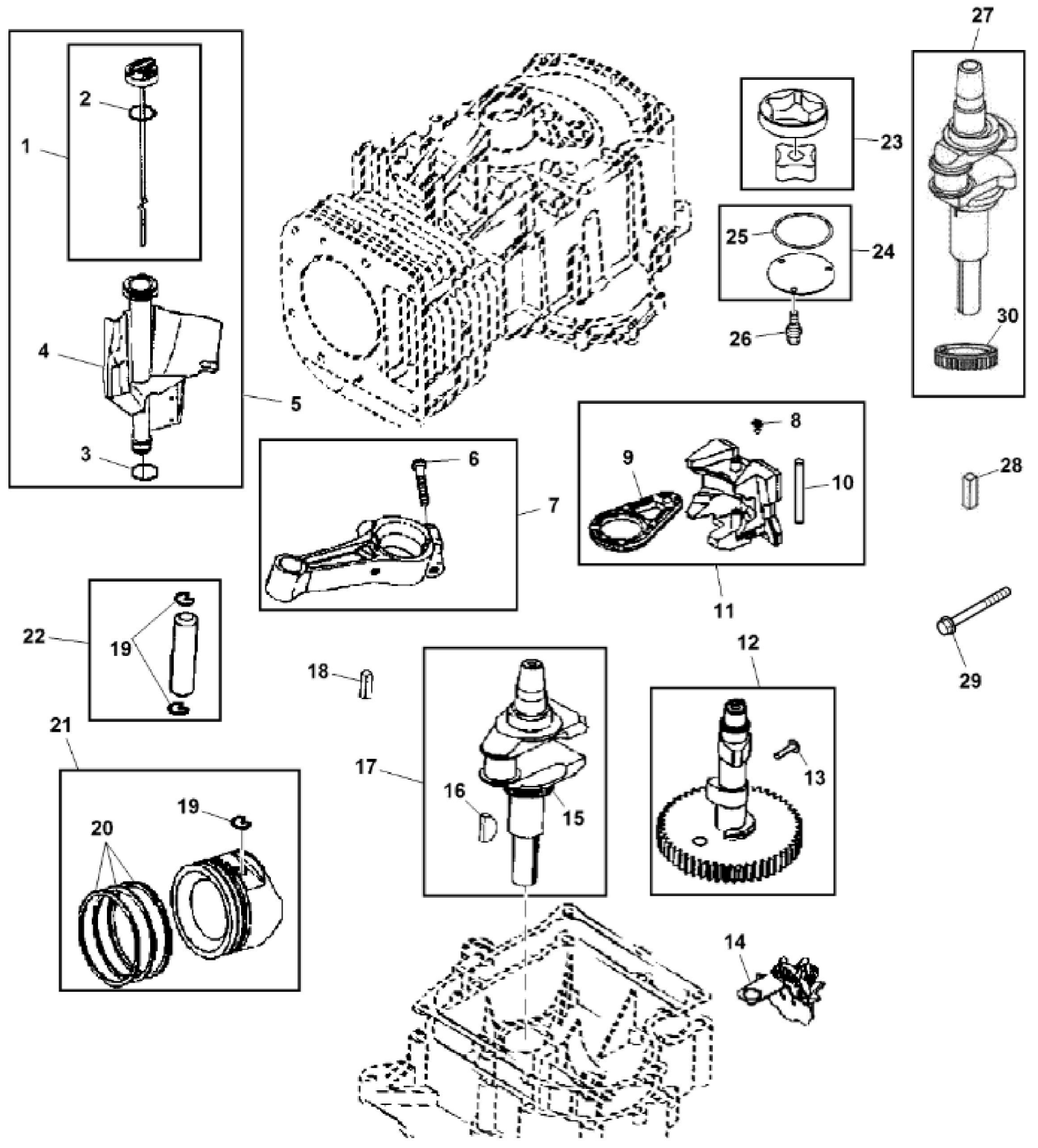


KEY	PART NO.	PART NAME	QTY	REMARKS
1	M147493	SCREEN	1	(SUB MIU11503)
2	M152566	SCREW	4	
3	MIU12152	SCREW	2	(SUB FOR LG690372)
4	MIU11503	FAN	1	NLA, (SUB FOR M152561) (SUB MIA11519)
5	LG690946	DRAIN PLUG	1	NLA; ORDER 15H623
5	15H623	PIPE PLUG	1	3/8"
6	M153303	SCREW	1	
7	AM135134	FLYWHEEL	1	
8	LG691265	SNAP RING	1	
9	LG693713	PINION	1	STARTER
10	M147508	SCREW	2	
11	MIU11682	TUBE	1	BREATHER, (SUB FOR M147499)
12	M147500	COVER	1	NLA, ORDER MIU11631
12	MIU11631	COVER	1	BREATHER PASSAGE, (USE WITH MIA11631)
13	M147564	GASKET	1	
14	M147507	SCREW	1	
15	M147501	BREATHER	1	REED
16	MIA11419	CYLINDER BLOCK	1	(SUB FOR AM132374 OR MIA11101)
17	LG399265	BEARING	1	NLA; ORDER MIA11778; Bushing W/Seal
17	MIA11778	SEAL KIT	1	Bushing W/Seal
18	LG391086S	SEAL	1	(MAGNETO SIDE)
19	LG690959	DOWEL PIN	2	
20	M147497	BUSHING	1	GOVERNOR
21	LG692407	SEAL	1	GOVERNOR
22	.....	OIL TUBE	1	
23	T77932	O-RING	1	
24	M144897	CAP	1	
25	AM131611	TUBE	1	OIL DRAIN
26	AM135143	RESERVOIR	1	NLA; ORDER MIA12717; SUB FOR MIA11429
26	MIA12717	RESERVOIR	1	
27	MIA10696	BALL	1	(NLA)
28	MIU12709	SCREEN	1	(SUB FOR LG690770)
29	M147513	GASKET	1	
30	MIU11958	SEAL	1	PTO SIDE, (SUB FOR LG690947 OR MIU11212)
31	15H638	PIPE PLUG	1	1/8"

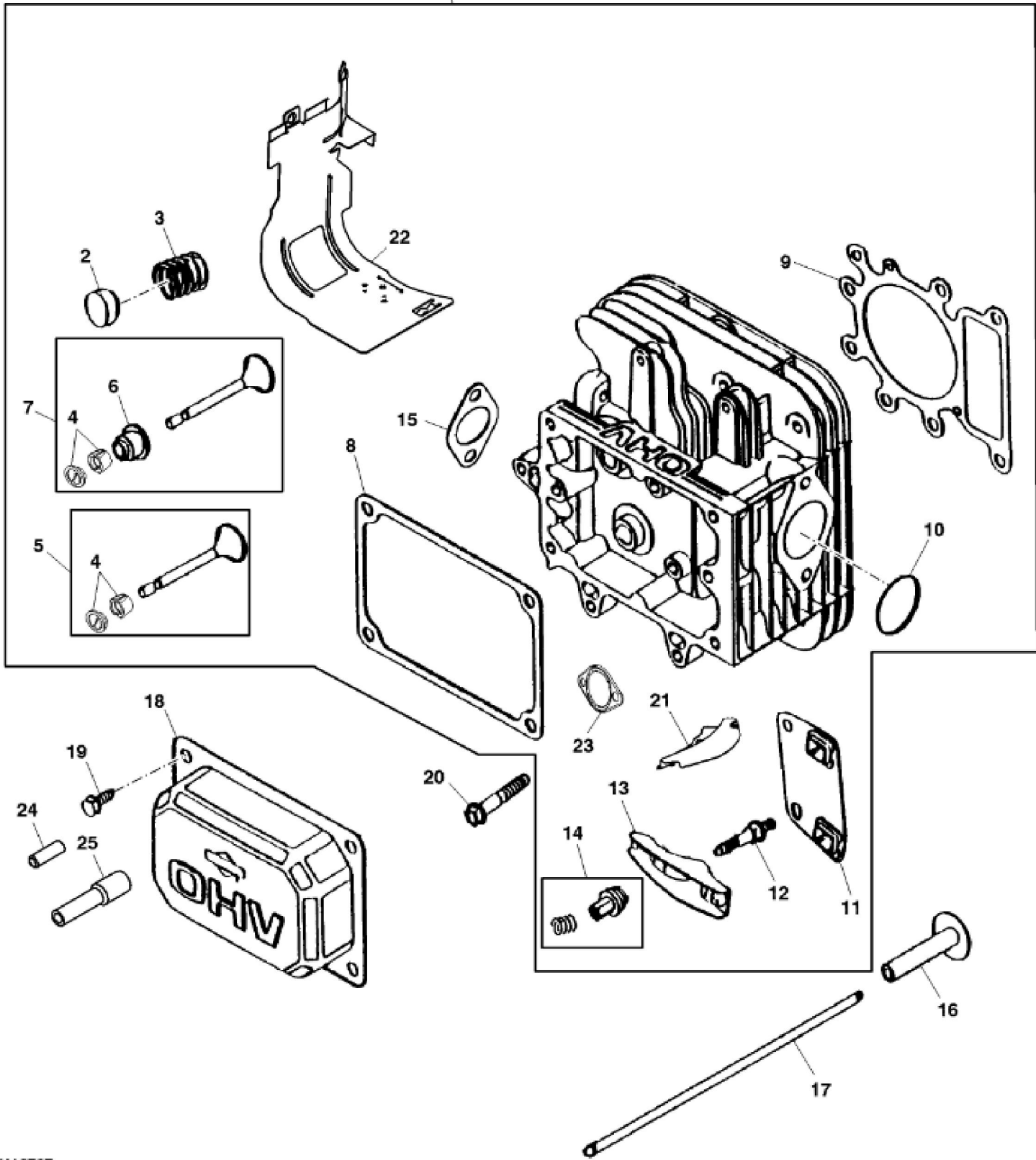
KEY	PART NO.	PART NAME	QTY	REMARKS
32	AM125424	OIL FILTER	1	
33	LG692125	CAP SCREW	10	
34	GC00331	BOLT	4	NLA; ORDER GX24210; Engine Mounting
34	GX24210	SCREW	4	
35	MIU11635	PLUG	1	(A)
36	MIA13017	SCREEN KIT	1	SUB FOR MIU11634 AND MIA11525
37	MIU11638	SCREW	2	(A)
38	MIU12139	FAN	1	(A)
39	PM37469	LIQUID GASKET	1	TUBE
40	MIU14227	SHIELD	1	USE WITH MIA12858; Cylinder
41	LG691693	BOLT	2	USE WITH MIA12858
42	LG691691	WASHER	2	USE WITH MIA12858
..	AM134749	GASOLINE ENGINE	1	MARKED 31P777-0367-E1; ORDER MIA12858
..	MIA12858	GASOLINE ENGINE	1	MARKED 31R977-0034-G1



KEY	PART NO.	PART NAME	QTY	REMARKS
1	AM135145	DIPSTICK	1	
2	LG691031	O-RING	1	
3	LG691032	SEAL	1	
4	M152554	DIPSTICK TUBE	1	
5	AM135144	DIPSTICK TUBE	1	
6	MIU11051	SCREW	2	
7	AM135136	CONNECTING ROD	1	
7	MIA11126	CONNECTING ROD	1	(USE WITH MIA10487 AND MIA11631)
7	MIA10694	CONNECTING ROD	1	.050MM(.020") OS
8	MIU11437	PLUG	1	
9	MIU11436	LINK	2	(SUB FOR M152555)
10	M152556	PIN	2	
11	MIA10989	COUNTERWEIGHT	1	(SUB FOR AM132354)
12	AM135141	CAMSHAFT	1	(ENGINE MARKED 31P777-0367-E1)
12	M148242	SHAFT	1	OIL PUMP, (SUB MIA11172)
12	MIA11377	CAMSHAFT	1	(USE WITH MIA10487 AND MIA11631)
13	LG690564	TAPPET	2	
14	LG691968	OIL SLINGER	1	
15	M147512	GEAR	1	TIMING
16	LG691639	SHAFT KEY	1	
17	MIA10982	CRANKSHAFT	1	MARKED 31P877-0110-E1; SUB FOR AM135142
17	MIA12499	CRANKSHAFT	1	MARKED 31R977-0034-G1
18	LG222698S	SHAFT KEY	1	FLYWHEEL
19	M152553	LOCK	2	
20	MIA10691	PISTON RING KIT	1	SUB FOR M150897 AND M147570; USE WITH AM134715;STD
20	MIA11430	PISTON RING KIT	1	.50 MM (.020") OS, SUB FOR AM135140
20	MIA10691	PISTON RING KIT	1	(STD) (USE WITH MIA11421)
20	MIU11639	PISTON RING KIT	1	(.020") OS, (USE WITH MIA11430)
21	MIA11421	PISTON	1	(SUB FOR AM135137 OR MIA10981 OR MIA10690)
21	AM135138	PISTON	1	.50 MM (.020") OS, ORDER MIA11430
21	MIA11430	PISTON	1	(.020") OS, (USE WITH MIA11631)
22	AM132347	PISTON PIN	1	
22	MIA11423	PISTON PIN	1	STD, (USE WITH MIA11631)
23	MIA11172	OIL PUMP	1	(SUB FOR LG499054)

KEY	PART NO.	PART NAME	QTY	REMARKS	
24	LG499613	COVER	1		
25	LG690589	SEAL	1		
26	LG691033	SCREW	3	ORDER MIU11119; Pump Cover	
26	MIU11119	SCREW	3	USE WITH MIA10487 AND MIA11631	
27	MIA12499	CRANKSHAFT	1	USE WITH MIA12858	
28	MIU13972	KEY	1	USE WITH MIA12858	
29	MIU14366	SCREW	8	USE WITH MIA12858	
30	M147512	GEAR	1	USE WITH MIA12858	

1



Thank you so much for reading.  
Please click the “Buy Now!”  
button below to download the  
complete manual.



After you pay.

You can download the most  
perfect and complete manual in  
the world immediately.

Our support email:

[ebooklibonline@outlook.com](mailto:ebooklibonline@outlook.com)