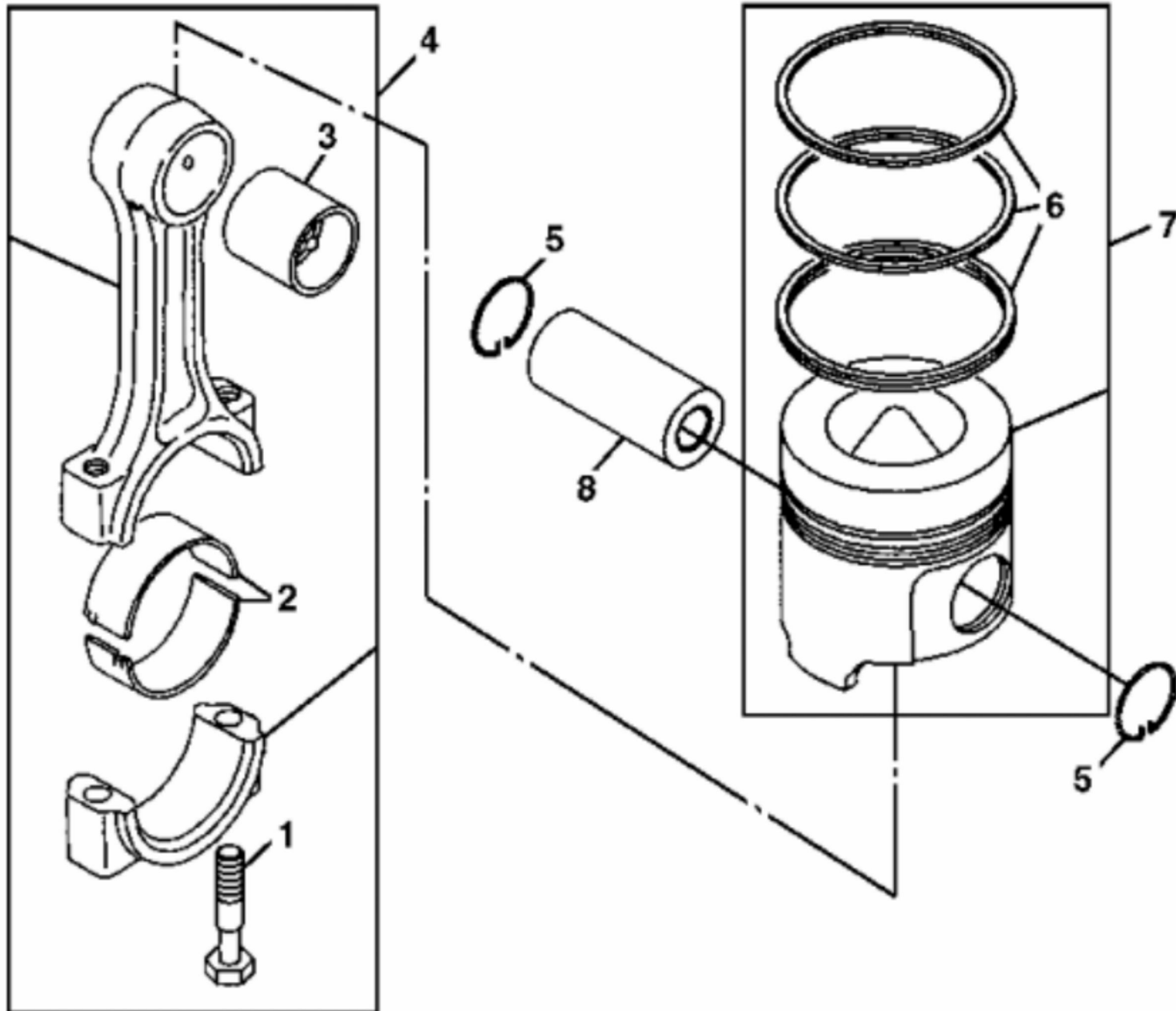


John Deere > Turf And Utility >TRACTOR, COMPACT UTILITY >3TNV82A - TRACTOR, COMPACT UTILITY >2520 Compact Utility Tractor >20 ENGINE (MARKED 3TNV82A-MJK, -MJKE) >ST149942 - CYLINDER BLOCK

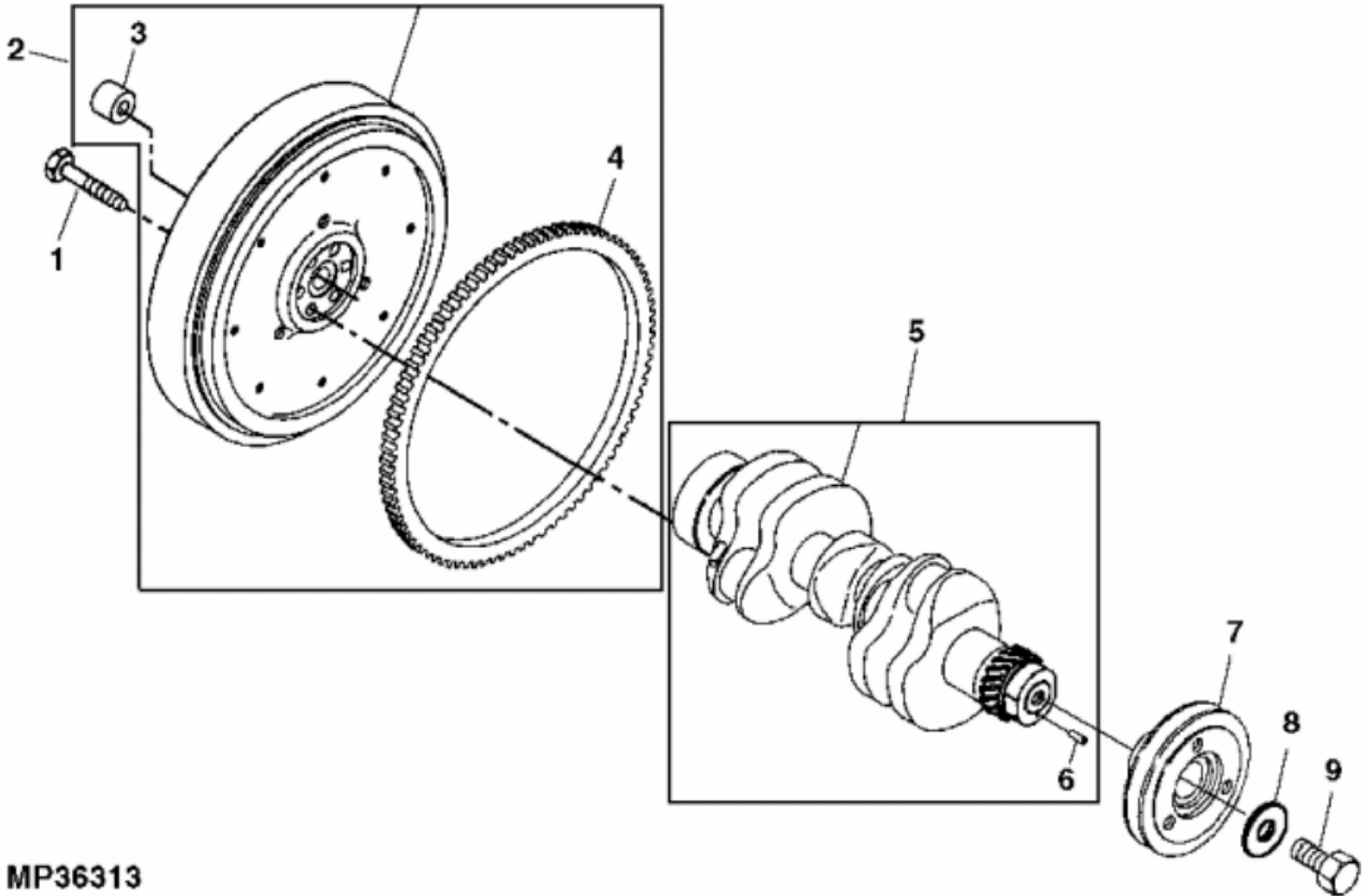
KEY	PART NO.	PART NAME	QTY	REMARKS
1	M800970	BOLT	14	
2	M810048	ENGINE CYLINDER HEAD GASKET	1	
3	AM881997	CYLINDER BLOCK	1	
4	CH10335	PLUG	3	
5	CH10314	PLUG	1	
6	M802255	PIN	4	
7	M806840	PLUG	1	
8	CH18079	SPRING PIN	2	
9	30M7023	PLUG	6	
10	15H562	PIPE PLUG	1	1"
11	M800977	BUSHING	1	CAMSHAFT
12	M811055	SHAFT	1	IDLER
13	19M8317	BOLT	3	
14	M87801	PLUG	2	
15	M800974	PIPE	2	
16	AM875301	BEARING KIT	2	THRUST, STD
16	AM875594	BEARING KIT	2	.25MM (.010") , US, THRUST
17	MIA880559	BEARING	4	MAIN, STD (SUB FOR AM882053)
17	AM875302	BEARING KIT	4	.25MM (.010") , US, MAIN
18	BEARING CAP	3	
19	M87879	BOLT	8	
20	BEARING CAP	1	
21	M811352	SPACER	1	
..	ENGINE	1	(MARKED 3TNV82A-MJK)
..	ENGINE	1	(MARKED 3TNV82A-MJKE) (EUROPEAN)
..	AM882051	SHORT BLOCK ASSEMBLY	1	



MP18666

CONNECTING ROD AND PISTON

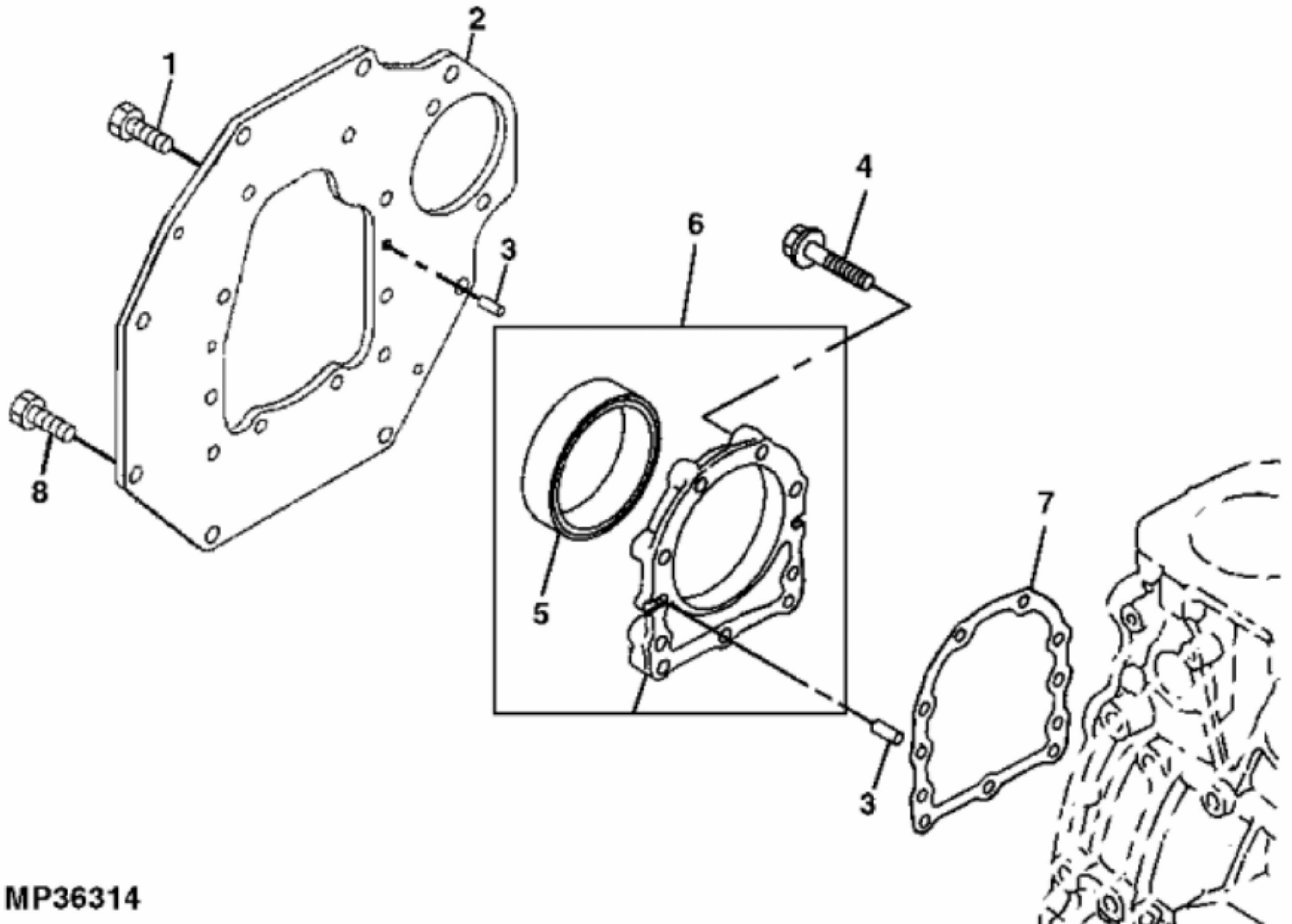
KEY	PART NO.	PART NAME	QTY	REMARKS
1	M801068	BOLT	2	
2	MIA880562	BEARING	1	STD (SUB FOR AM875321)
2	MIA880567	BEARING	1	.25 MM (.010") , US (SUB FOR AM875324)
3	M801075	BEARING	1	
4	AM875320	CONNECTING ROD	3	
5	RG60161	SNAP RING	6	
6	AM881986	PISTON RING KIT	1	STD
6	AM881988	PISTON RING KIT	1	.25 MM (.010") , OS
7	AM881985	PISTON REPLACEMENT KIT	3	STD
7	AM881987	PISTON REPLACEMENT KIT	3	.25 MM (.010") , OS
8	M806430	PISTON PIN	3	



MP36313

CRANKSHAFT AND FLYWHEEL

KEY	PART NO.	PART NAME	QTY	REMARKS	
1	CH19291	BOLT	6		
2	MIA880120	FLYWHEEL	1		
3	M807344	BEARING	1		
4	RING GEAR	1		
5	AM882531	CRANKSHAFT	1		
6	CH15575	PIN	1		
7	M811533	PULLEY	1	CRANKSHAFT	
8	M801055	WASHER	1		
9	CH16798	BOLT	1		



MP36314

Thank you so much for reading.
Please click the “Buy Now!”
button below to download the
complete manual.



After you pay.

You can download the most
perfect and complete manual in
the world immediately.

Our support email:

ebooklibonline@outlook.com