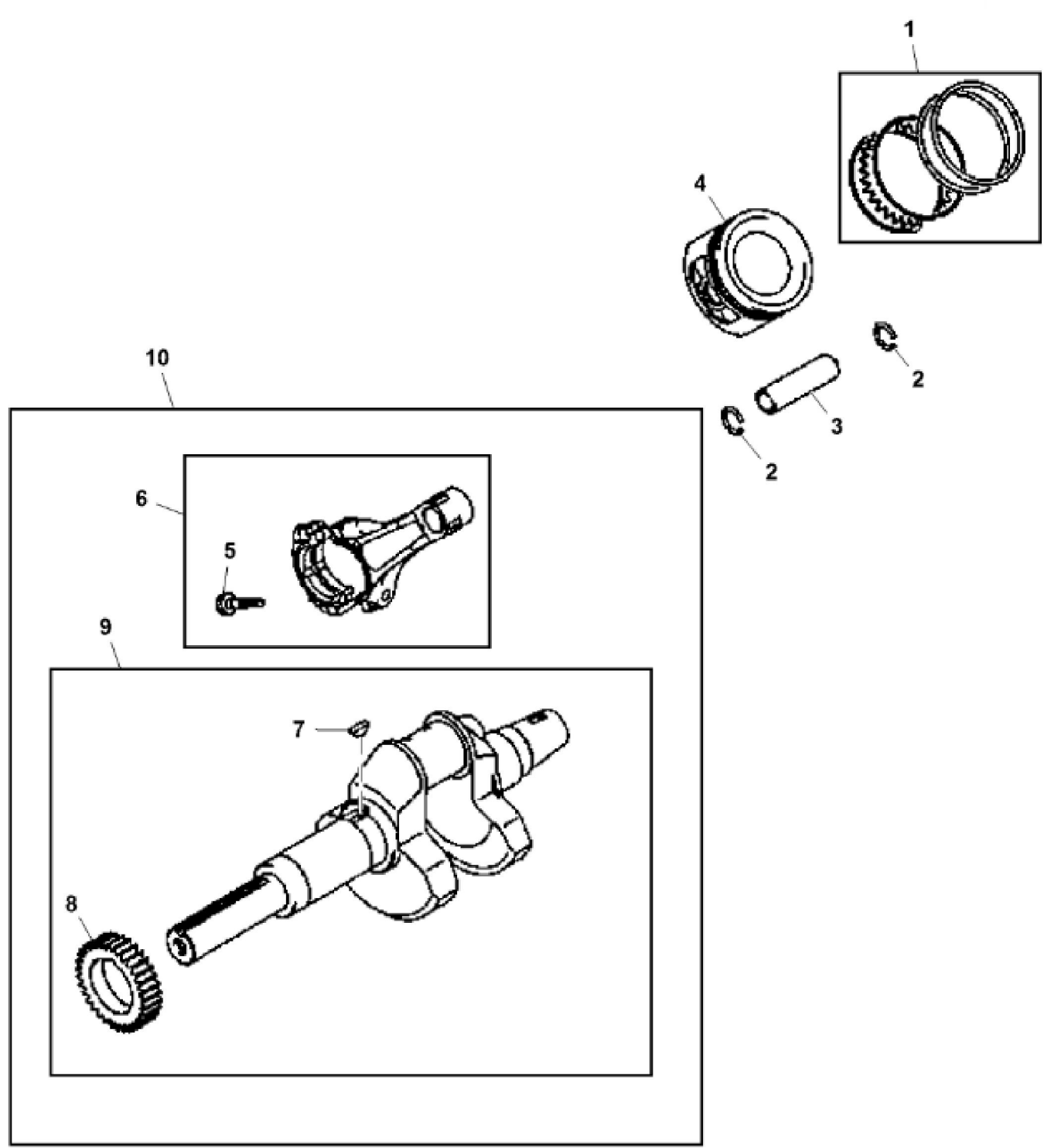


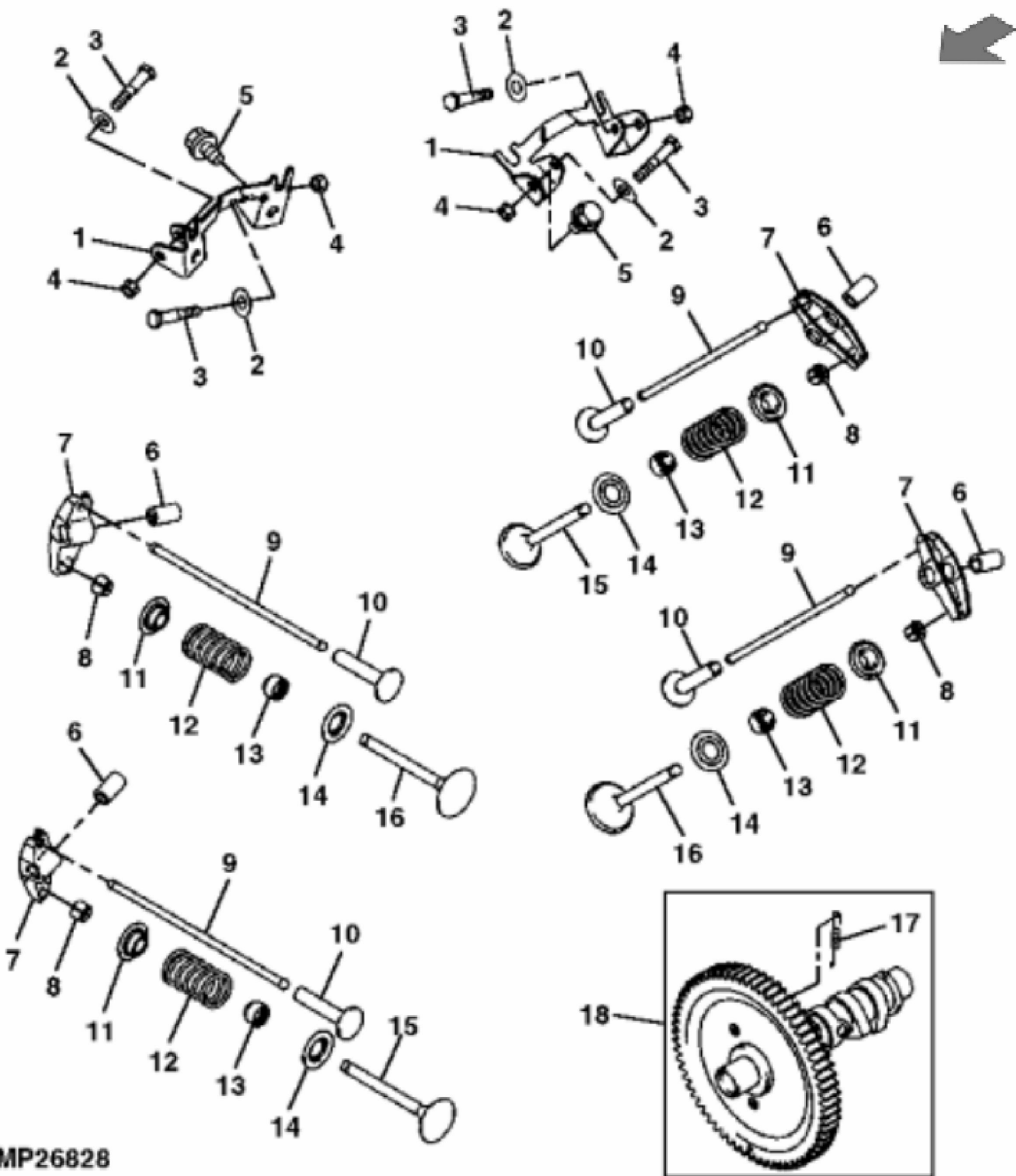
KEY	PART NO.	PART NAME	QTY	REMARKS
1	M147295	VALVE COVER	1	RH
2	19M7796	SCREW	8	M6 X 30
3	MIU11493	BOLT	8	SUB FOR M147306
4	M147297	GASKET	2	
5	MIU11492	BOLT	4	SUB FOR M147305
6	M68144	STUD	4	NLA; MARKED FD671D-DS02, ES02; ORDER MIU11949
6	MIU11949	STUD	4	MARKED FD671D-FS02, GS02; USE WITH MIA11674 or MIA12031
7	AM132281	CYLINDER HEAD	1	NLA; ORDER MIU14324
7	MIU14324	CYLINDER HEAD	1	RH
8	M147293	ENGINE CYLINDER HEAD GASKET	2	
9	MIU14325	CYLINDER HEAD	1	SUB FOR AM132282
10	M147294	VALVE COVER	1	LH
11	M77734	CLAMP	2	
12	M147307	TUBE	1	
13	19M7868	SCREW	4	M8 X 30
14	M147299	COVER	1	
15	M95848	SCREW	2	
16	M147298	PLATE	2	
17	M147300	VALVE	2	Breather
18	M147296	GASKET	1	
19	M147302	SEAL	1	
20	MIU12134	BEARING	1	SUB FOR M147304
21	M127431	ADAPTER FITTING	1	USE WITH AM132283
22	MIA12868	CRANKCASE	1	SUB FOR AM132283
23	M70227	PIN	6	
24	M76104	O-RING	3	
25	MIU10833	SEAL	1	
26	19M8318	SCREW	6	M8 X 45
27	M139490	BOLT	4	MARKED FD671D-DS02, ES02
27	MIU11385	BOLT	4	USE WITH MIA11674 orMIA12031; MARKED FD671D-FS02, GS02
28	MIA12867	CRANKCASE	1	SUB FOR M147763
29	M147303	SEAL	1	

KEY	PART NO.	PART NAME	QTY	REMARKS
30	24M7095	WASHER	12	8.400 X 15 X 1.600 mm, Head Bolt
31	MIU14326	BEARING	1	USE WITH MIA12867
32	MIA10766	GASOLINE ENGINE	1	(Not Illustrated) SUB AM132305; MARKED FD671D-DS02
32	MIA11056	GASOLINE ENGINE	1	(Not Illustrated) SUB AM132305; MARKED FD671D-ES02
32	MIA11195	GASOLINE ENGINE	1	(Not Illustrated) SUB MIA11837; MARKED FD671D-FS02
32	MIA11837	GASOLINE ENGINE	1	(Not Illustrated) SUB MIA11674; MARKED FD671D-GS02
32	MIA11674	GASOLINE ENGINE	1	(Not Illustrated) NLA; ORDER MIA12031; MARKED FD671D-EPA/3 CARB3, 50 State
32	MIA12031	GASOLINE ENGINE	1	(Not Illustrated) ORDER MIA12549; MARKED FD671D-JS02
32	MIA13100	GASOLINE ENGINE	1	MARKED FD671D-PS02-R; SUB FOR MIA12549
32	MIA12916	SHORT BLOCK ASSEMBLY	1	(Not Illustrated) SUB FOR MIA11875 OR AM132305
33	M73989	BOLT	1	(Not Illustrated) NLA; ORDER MIU12006;
33	MIU12006	BOLT	1	(Not Illustrated)



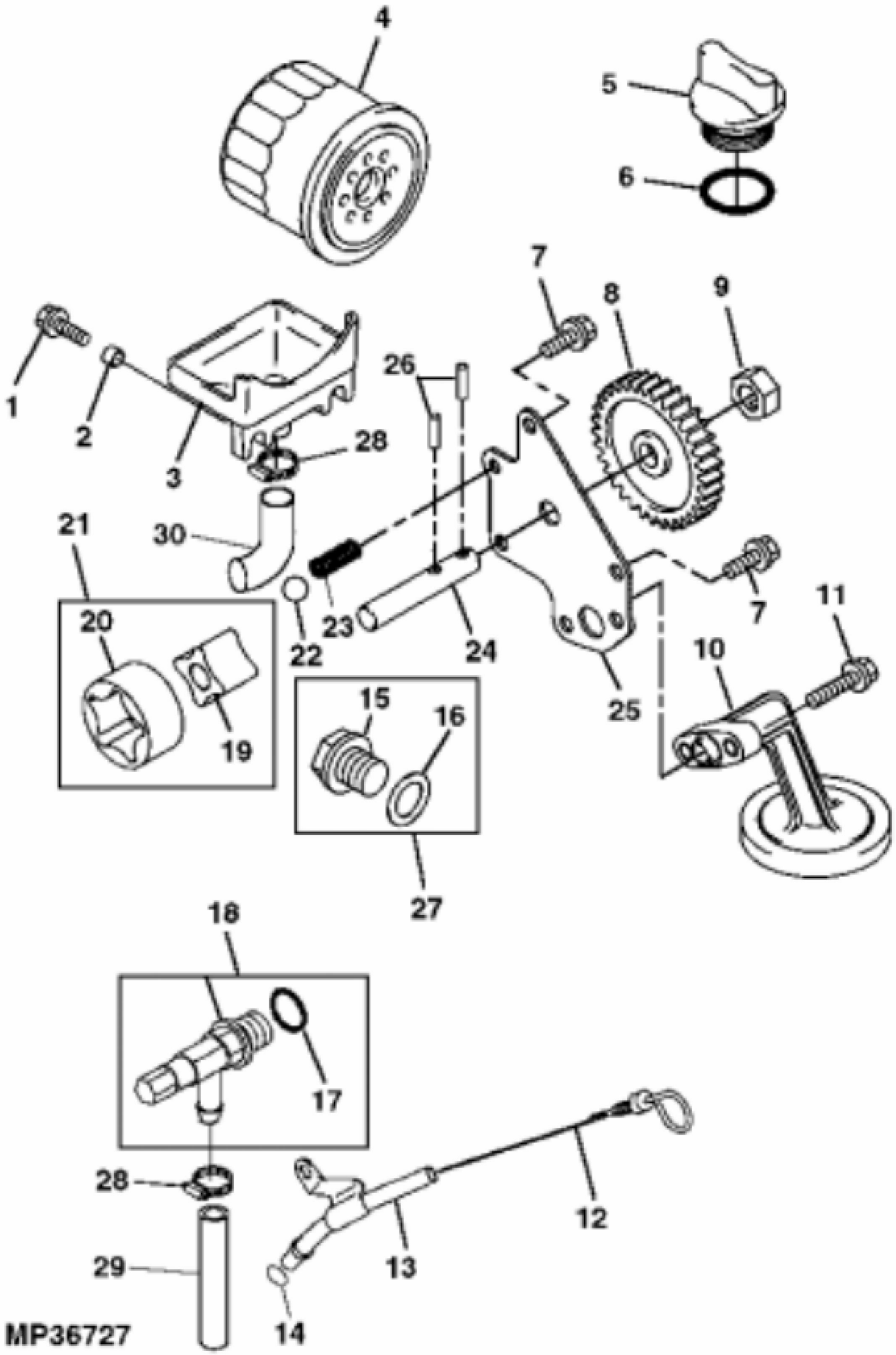
John Deere > Turf And Utility >TRACTOR, LAWN AND GARDEN >X700 - TRACTOR, LAWN AND GARDEN >X700 Select Series Ultimate Tractor >20 ENGINE MIA12549 >ST539134 - CRANKSHAFT AND PISTON ASSEMBLY

KEY	PART NO.	PART NAME	QTY	REMARKS
1	AM102610	PISTON RING KIT	2	STD
1	AM102612	PISTON RING KIT	AR	0.50 MM (0.020"), OS
2	M70220	WIRE	4	
3	M70219	PISTON PIN	2	
4	M147308	PISTON	2	NLA; ORDER MIU14204
4	MIU14204	PISTON	2	STD
4	MIU11013	PISTON	AR	0.50 MM (0.020"), OS
5	M147310	BOLT	4	
6	AM132284	CONNECTING ROD	2	ORDER MIA11872
6	MIA11872	CONNECTING ROD	2	
7	M77843	SHAFT KEY	1	
8	M147309	SPUR GEAR	1	USE WITH MIA10555 AND MIA11873
8	MIU14329	SPUR GEAR	1	USE WITH MIA12869
9	MIA10555	CRANKSHAFT	1	ORDER MIA13072
9	MIA11873	CRANKSHAFT	1	ORDER MIA12869
9	MIA12869	CRANKSHAFT	1	
10	MIA11874	CRANKSHAFT	1	ORDER MIA13072; Assembly
10	MIA13072	CRANKSHAFT	1	



MP26828

KEY	PART NO.	PART NAME	QTY	REMARKS
1	M147311	BRACKET	2	
2	M147320	WASHER	4	
3	M147317	BOLT	4	
4	14M7272	NUT	4	M6
5	M147319	BOLT	4	
6	M147318	BUSHING	4	
7	MIU14434	ROCKER ARM	4	SUB FOR M147314
8	AM132412	RETAINER	4	(INCLUDES TWO HALVES)
9	M147315	PUSH ROD	4	
10	M70213	TAPPET	4	
11	M72322	RETAINER	4	
12	M70206	SPRING	4	
13	M70034	SEAL	4	
14	M70033	SEAT	4	
15	M147313	EXHAUST VALVE	2	
16	M147312	INTAKE VALVE	2	
17	M147316	SPRING	1	
18	MIA12870	CAMSHAFT	1	SUB FOR AM132286



MP36727

Thank you so much for reading.
Please click the “Buy Now!”
button below to download the
complete manual.



After you pay.

You can download the most
perfect and complete manual in
the world immediately.

Our support email:

ebooklibonline@outlook.com