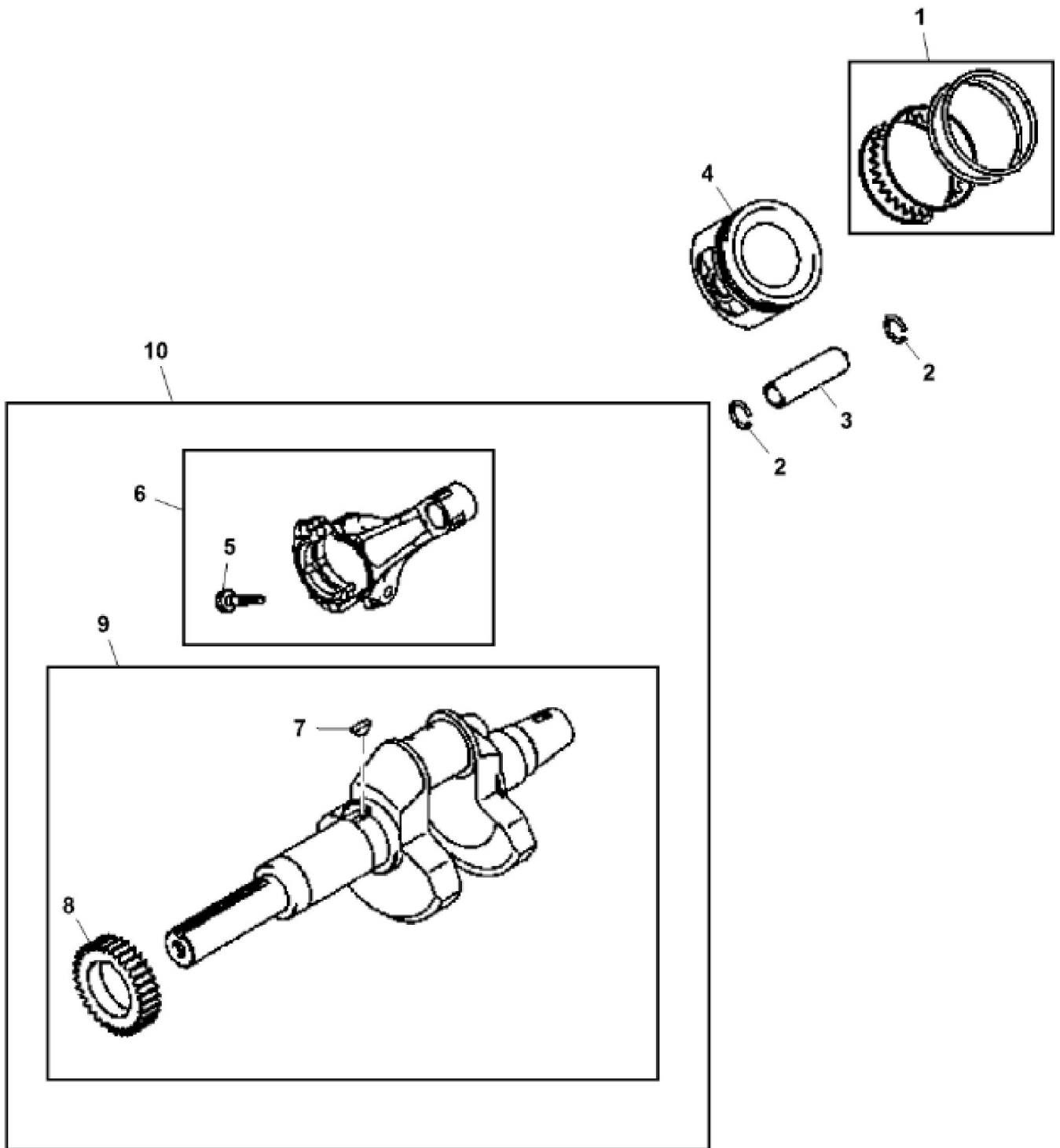


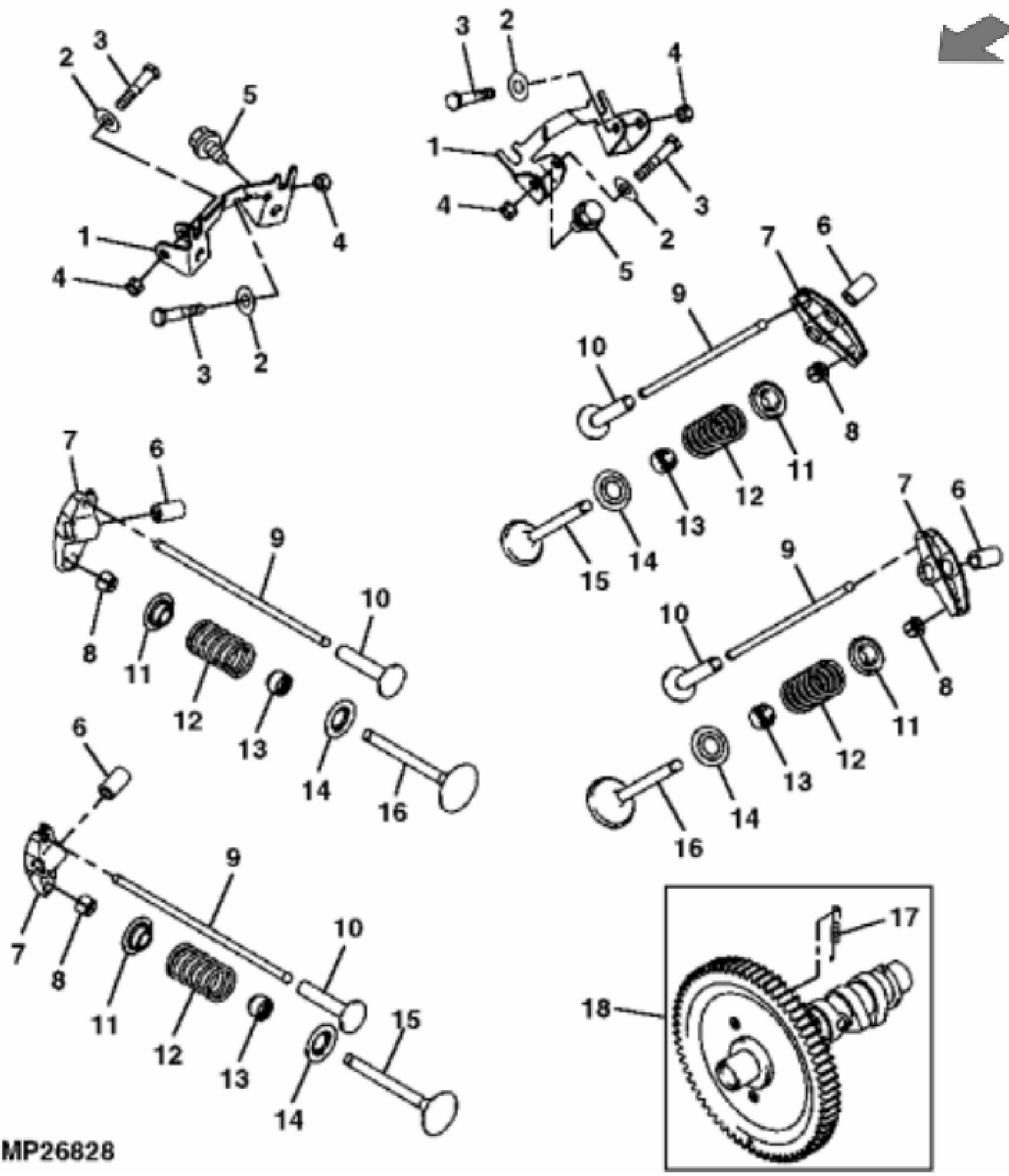
KEY	PART NO.	PART NAME	QTY	REMARKS
1	M147295	VALVE COVER	1	RH
2	19M7874	CAP SCREW	8	M6 X 30
3	MIU11493	BOLT	8	SUB FOR M147306
4	M147297	GASKET	2	
5	MIU11492	BOLT	4	SUB FOR M147305
6	M68144	STUD	4	NLA; ORDER MIU11949
7	AM132281	CYLINDER HEAD	1	NLA; ORDER MIU14324
7	MIU14324	CYLINDER HEAD	1	RH
8	M147293	ENGINE CYLINDER HEAD GASKET	2	
9	MIU14325	CYLINDER HEAD	1	SUB FOR AM132282
10	M147294	VALVE COVER	1	LH
11	M77734	CLAMP	2	
12	M147307	TUBE	1	
13	19M7868	SCREW	4	M8 X 30
14	M147299	COVER	1	
15	M95848	SCREW	2	
16	M147298	PLATE	2	
17	M147300	VALVE	2	
18	M147296	GASKET	1	
19	M147302	SEAL	1	
20	MIU12134	BEARING	1	SUB FOR M147304
21	M127431	ADAPTER FITTING	1	USE WITH AM132283
22	MIA12868	CRANKCASE	1	SUB FOR AM132283
23	M70227	PIN	6	
24	M76104	O-RING	3	
25	MIU10833	SEAL	1	
26	19M8318	SCREW	6	M8 X 45
27	M139490	BOLT	4	
28	MIA12867	CRANKCASE	1	SUB FOR M147763
29	M147303	SEAL	1	
30	24M7095	WASHER	12	8.400 X 15 X 1.600 mm
31	MIU14326	BEARING	1	USE WITH MIA12867
32	MIA10763	GASOLINE ENGINE	1	(Not Illustrated) MARKED FD750D-CS12; SUB MIA11196
32	MIA11196	GASOLINE ENGINE	1	(Not Illustrated) MARKED FD750D-DS12; SUB MIA11453

KEY	PART NO.	PART NAME	QTY	REMARKS
32	MIA11453	GASOLINE ENGINE	1	(Not Illustrated) MARKED FD750D-ES12; SUB MIA11838
32	MIA11838	GASOLINE ENGINE	1	(Not Illustrated) SUB MIA11675; MARKED FD750D-FS12
32	MIA11675	GASOLINE ENGINE	1	(Not Illustrated) NLA; ORDER MIA12032; MARKED FD750D-GS12; EPA3/CARB3, 50 State
32	MIA12032	GASOLINE ENGINE	1	(Not Illustrated) NLA; ORDER MIA12550; MARKED FD750D-HS12
32	MIA12550	GASOLINE ENGINE	1	(Not Illustrated) NLA; ORDER MIA12563; MARKED FD750D-JS12
32	MIA12563	GASOLINE ENGINE	1	(Not Illustrated) MARKED FD750D-KS12
32	MIA12917	SHORT BLOCK ASSEMBLY	1	(Not Illustrated) SUB FOR MIA11876 OR MIA10554



John Deere > Turf And Utility >TRACTOR, LAWN AND GARDEN >X720 - TRACTOR, LAWN AND GARDEN >X720 Select Series Ultimate Tractor >20 ENGINE MIA12563 >ST538754 - CRANKSHAFT AND PISTON ASSEMBLY

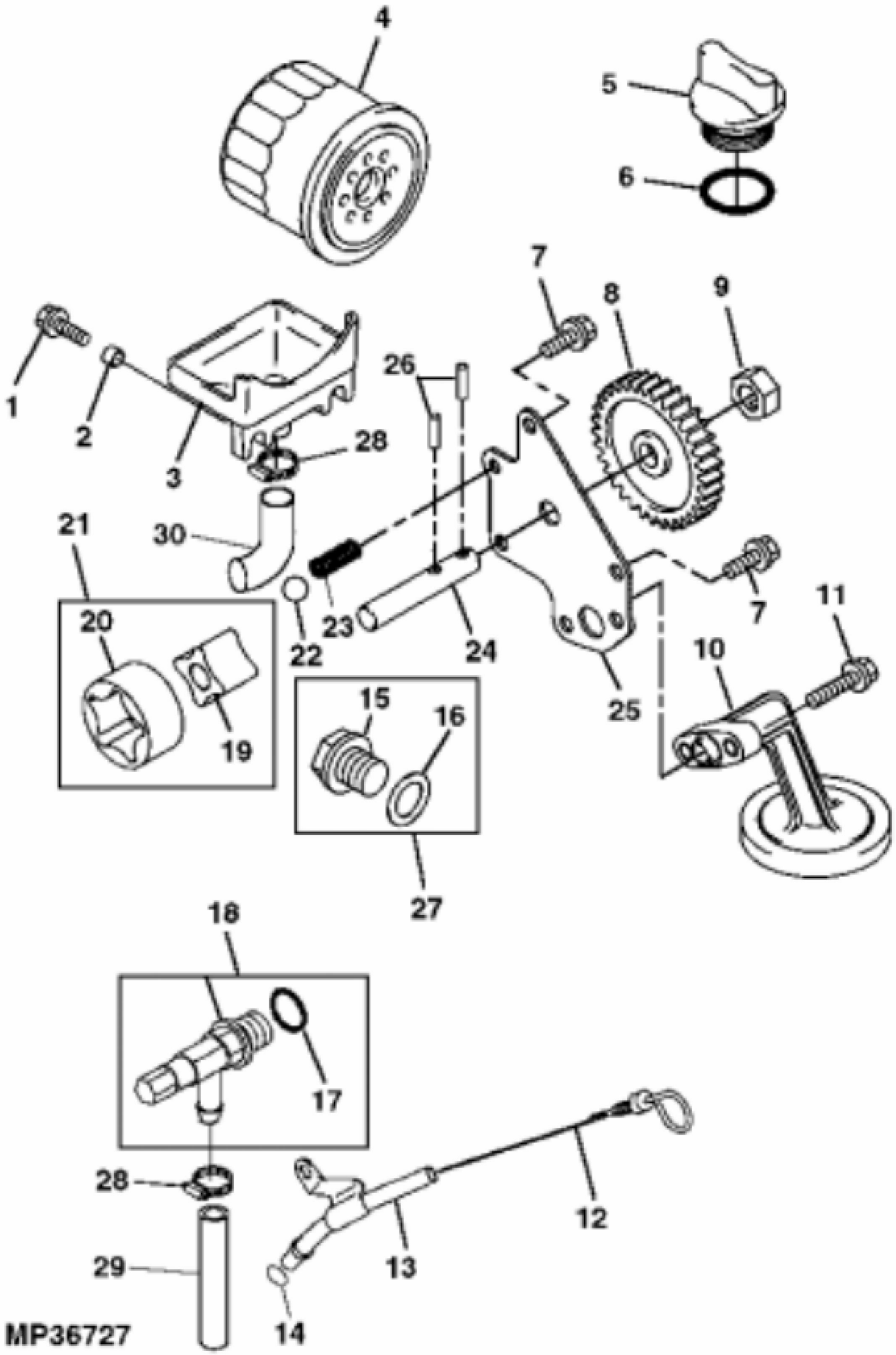
KEY	PART NO.	PART NAME	QTY	REMARKS
1	AM102610	PISTON RING KIT	2	STD
1	AM102612	PISTON RING KIT	2	0.50 MM (.020") OS
2	M70220	RETAINER	4	
3	M70219	PISTON PIN	2	
4	MIU14328	PISTON	2	SUB FOR M119153; STD
4	M119174	PISTON	2	0.50 MM (.020") OS
5	M147310	BOLT	4	
6	AM132284	CONNECTING ROD	2	ORDER MIA11872
6	MIA11872	CONNECTING ROD	2	
7	M77843	SHAFT KEY	1	
8	M147309	SPUR GEAR	1	USE WITH MIA10555 AND MIA11873
8	MIU14329	SPUR GEAR	1	USE WITH MIA12869
9	MIA10555	CRANKSHAFT	1	ORDER MIA13072
9	MIA11873	CRANKSHAFT	1	ORDER MIA12869
9	MIA12869	CRANKSHAFT	1	
10	MIA11874	CRANKSHAFT	1	ORDER MIA13072; Assembly
10	MIA13072	CRANKSHAFT	1	



MP26828

John Deere > Turf And Utility >TRACTOR, LAWN AND GARDEN >X720 - TRACTOR, LAWN AND GARDEN >X720 Select Series Ultimate Tractor >20 ENGINE MIA12563 >ST538755 - CAMSHAFT AND VALVES

KEY	PART NO.	PART NAME	QTY	REMARKS
1	M147311	BRACKET	2	
2	M147320	WASHER	4	
3	M147317	BOLT	4	
4	14M7272	NUT	4	M6
5	M147319	BOLT	4	
6	M147318	BUSHING	4	
7	MIU14434	ROCKER ARM	4	SUB FOR M147314
8	AM132412	RETAINER	4	(INCLUDES (2) HALVES)
9	M147315	PUSH ROD	4	
10	M70213	TAPPET	4	
11	M72322	RETAINER	4	
12	M70206	SPRING	4	
13	M70034	SEAL	4	
14	M70033	SEAT	4	
15	M147313	EXHAUST VALVE	2	
16	M147312	INTAKE VALVE	2	
17	M147316	SPRING	1	
18	MIA12870	CAMSHAFT	1	SUB FOR AM132286



MP36727

Thank you so much for reading.  
Please click the “Buy Now!”  
button below to download the  
complete manual.



After you pay.

You can download the most  
perfect and complete manual in  
the world immediately.

Our support email:

[ebooklibonline@outlook.com](mailto:ebooklibonline@outlook.com)