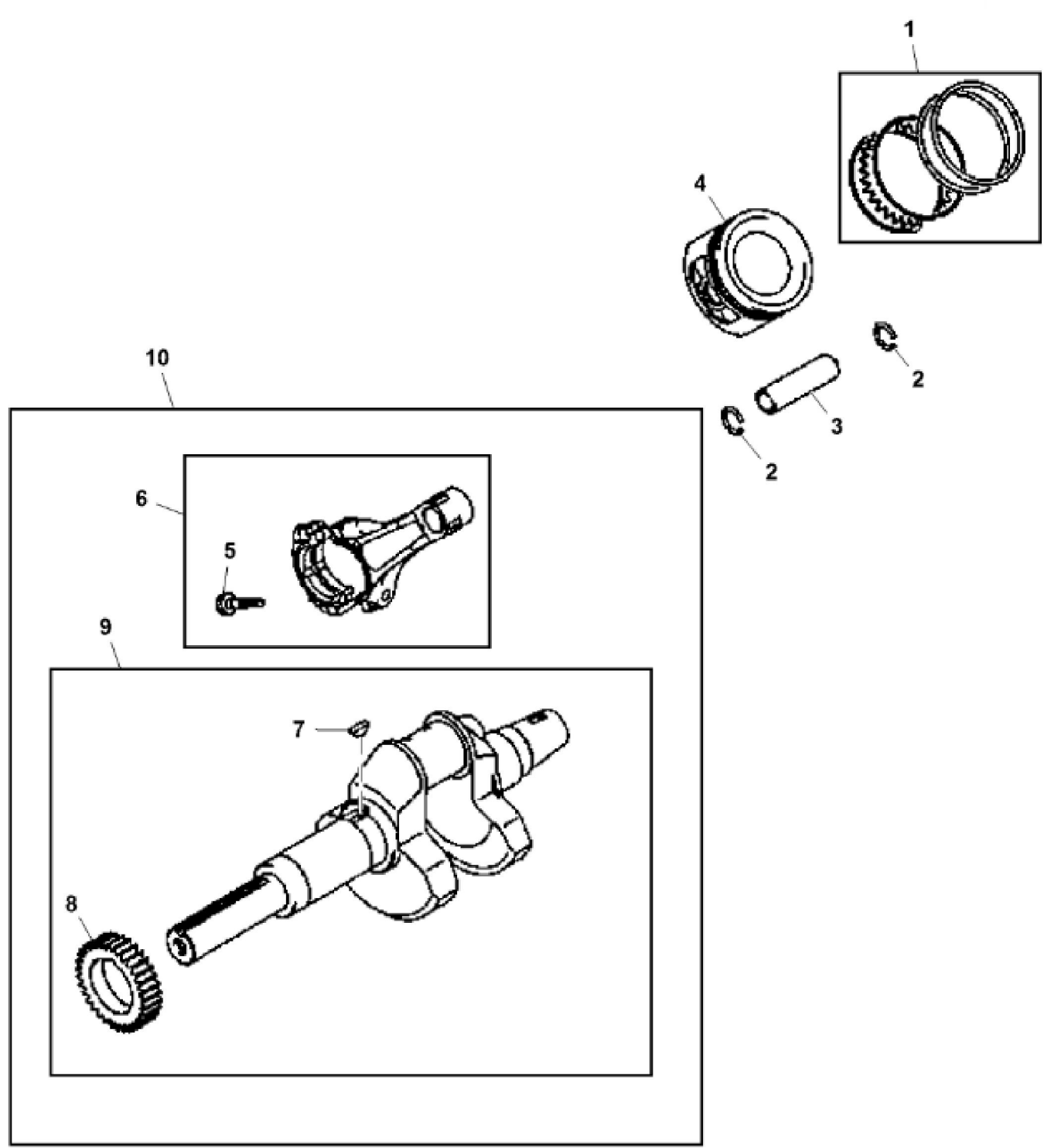


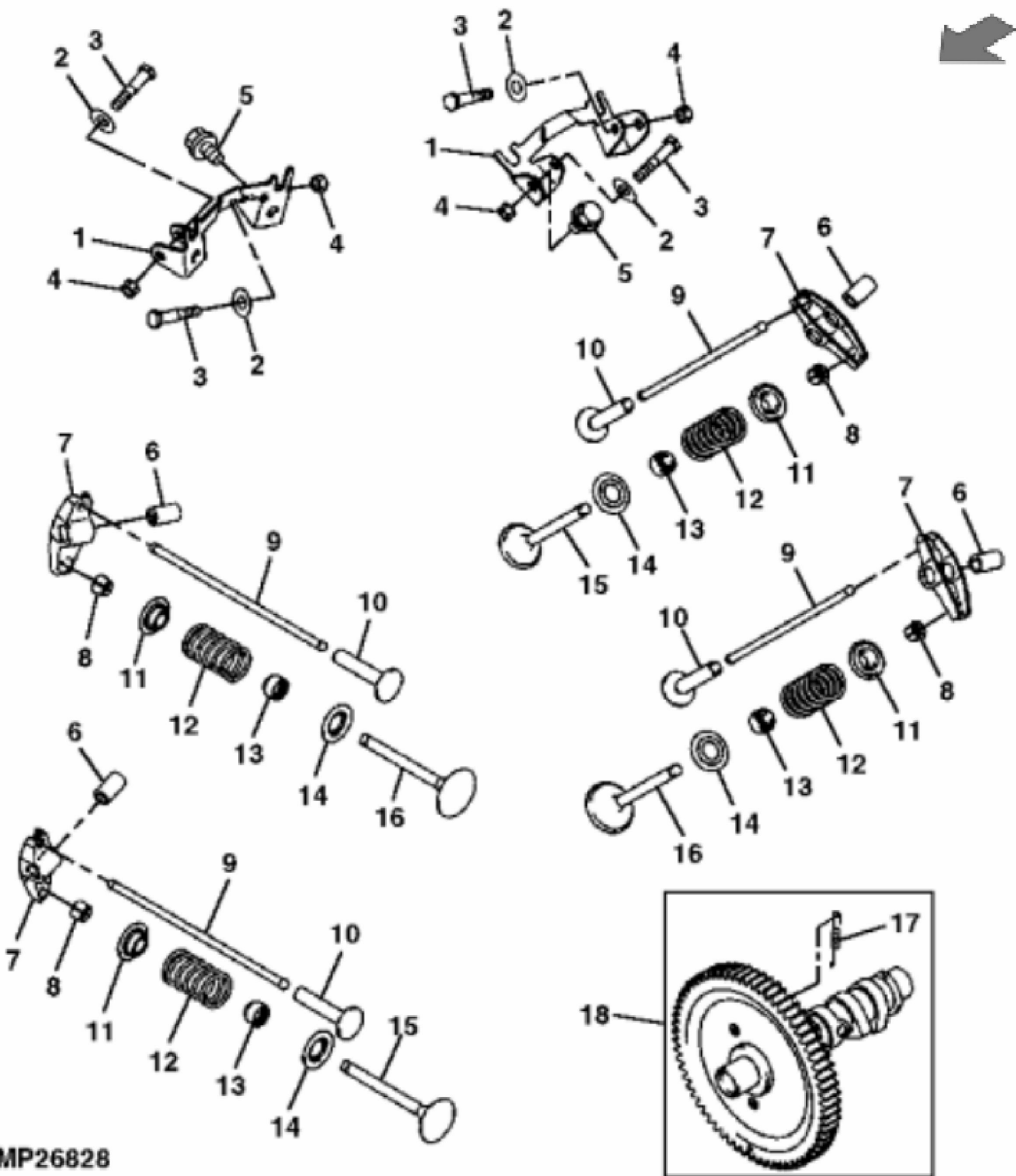
| KEY | PART NO. | PART NAME                   | QTY | REMARKS  |
|-----|----------|-----------------------------|-----|--|
| 1   | M147295  | VALVE COVER                 | 1   | RH   |
| 2   | 19M7874  | CAP SCREW                   | 8   | M6 X 30  |
| 3   | MIU11493 | BOLT                        | 8   | (SUB FOR M147306)                                  |
| 4   | M147297  | GASKET                      | 2   |  |
| 5   | MIU11492 | BOLT                        | 4   | (SUB FOR M147305)                                  |
| 6   | M68144   | STUD                        | 4   | NLA; ORDER MIU11949                                |
| 7   | AM132281 | CYLINDER HEAD               | 1   | NLA; ORDER MIU14324                                |
| 7   | MIU14324 | CYLINDER HEAD               | 1   | RH   |
| 8   | M147293  | ENGINE CYLINDER HEAD GASKET | 2   |  |
| 9   | MIU14325 | CYLINDER HEAD               | 1   | SUB FOR AM132282                                   |
| 10  | M147294  | VALVE COVER                 | 1   | LH   |
| 11  | M77734   | CLAMP                       | 2   |  |
| 12  | M147307  | TUBE                        | 1   |  |
| 13  | 19M7868  | SCREW                       | 4   | M8 X 30  |
| 14  | M147299  | COVER                       | 1   |  |
| 15  | M95848   | SCREW                       | 2   |  |
| 16  | M147298  | PLATE                       | 2   |  |
| 17  | M147300  | VALVE                       | 2   |  |
| 18  | M147296  | GASKET                      | 1   |  |
| 19  | M147302  | SEAL                        | 1   |  |
| 20  | MIU12134 | BEARING                     | 1   | SUB FOR M147304                                    |
| 21  | M127431  | ADAPTER FITTING             | 1   | USE WITH AM132283                                  |
| 22  | MIA12868 | CRANKCASE                   | 1   | SUB FOR AM132283                                   |
| 23  | M70227   | PIN                         | 6   |  |
| 24  | M76104   | O-RING                      | 3   |  |
| 25  | MIU10833 | SEAL                        | 1   |  |
| 26  | 19M8318  | SCREW                       | 6   | M8 X 45  |
| 27  | M139490  | BOLT                        | 4   |  |
| 28  | MIA12867 | CRANKCASE                   | 1   | SUB FOR M147763                                    |
| 29  | M147303  | SEAL                        | 1   |  |
| 30  | 24M7095  | WASHER                      | 12  | 8.400 X 15 X 1.600 mm                              |
| 31  | MIU14326 | BEARING                     | 1   | USE WITH MIA12867                                  |
| 32  | MIA10763 | GASOLINE ENGINE             | 1   | (Not Illustrated) MARKED FD750D-CS12; SUB MIA11196 |
| 32  | MIA11196 | GASOLINE ENGINE             | 1   | (Not Illustrated) MARKED FD750D-DS12; SUB MIA11453 |

| KEY | PART NO. | PART NAME            | QTY | REMARKS   |
|-----|----------|----------------------|-----|---|
| 32  | MIA11453 | GASOLINE ENGINE      | 1   | (Not Illustrated) MARKED FD750D-ES12; SUB MIA11838                                |
| 32  | MIA11838 | GASOLINE ENGINE      | 1   | (Not Illustrated) MARKED FD750D-FS12; SUB MIA11675                                |
| 32  | MIA11675 | GASOLINE ENGINE      | 1   | (Not Illustrated) NLA; ORDER MIA12032; MARKED FD750D-GS12; EPA3 / CARB3, 50 State |
| 32  | MIA12032 | GASOLINE ENGINE      | 1   | (Not Illustrated) NLA; ORDER MIA12550; MARKED FD750D-HS1                          |
| 32  | MIA12550 | GASOLINE ENGINE      | 1   | (Not Illustrated) NLA; ORDER MIA12563; MARKED FD750D-JS12                         |
| 32  | MIA12563 | GASOLINE ENGINE      | 1   | (Not Illustrated) MARKED FD750D-KS12  |
| 32  | MIA12917 | SHORT BLOCK ASSEMBLY | 1   | (Not Illustrated) SUB FOR MIA11876 OR MIA10554                                    |



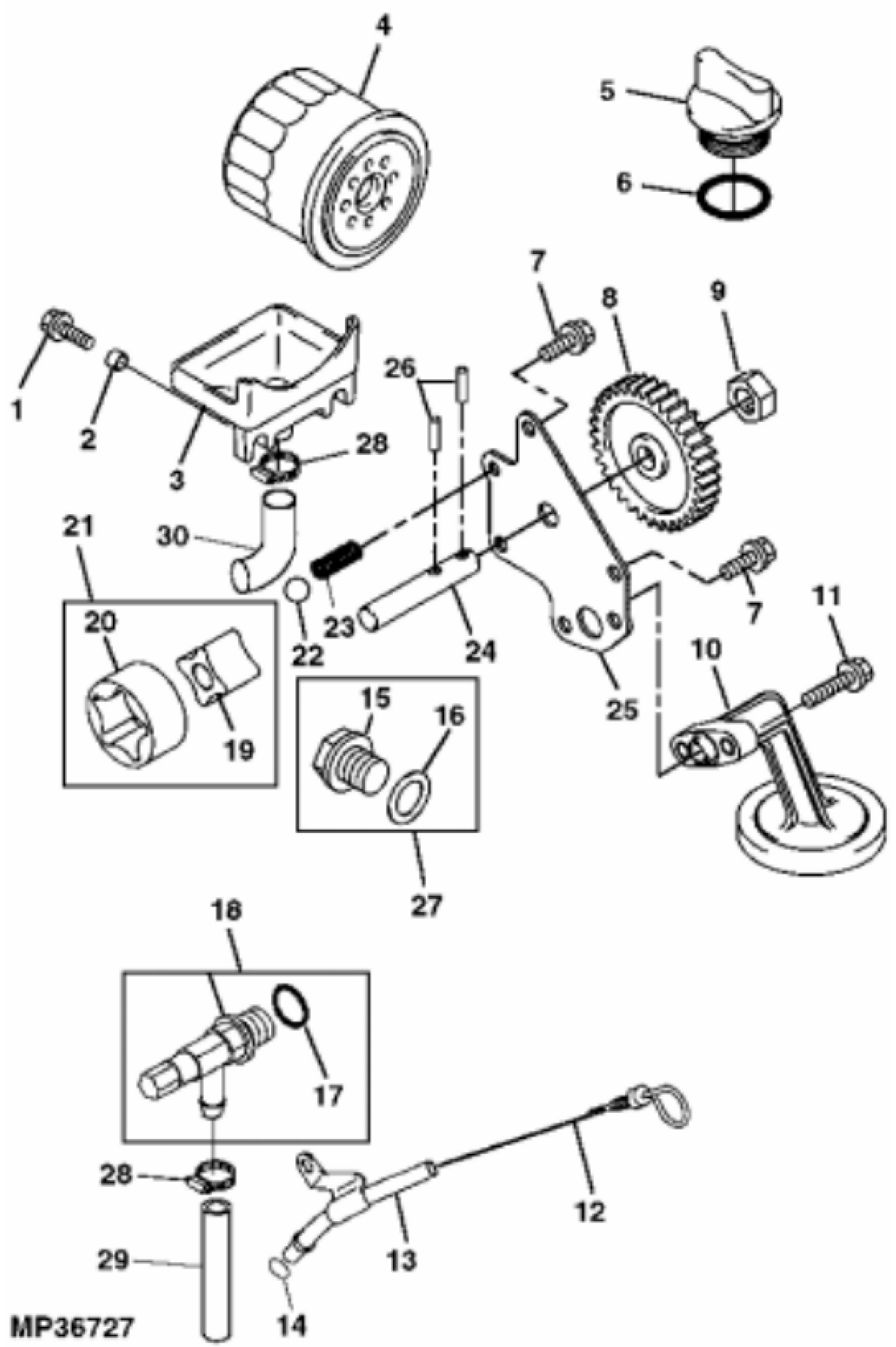
John Deere > Turf And Utility >TRACTOR, LAWN AND GARDEN >X728 - TRACTOR, LAWN AND GARDEN >X728 Select Series Ultimate Tractor >20 ENGINE MIA12563 >ST539009 - CRANKSHAFT AND PISTON ASSEMBLY

| KEY | PART NO. | PART NAME       | QTY | REMARKS                        |
|-----|----------|-----------------|-----|--------------------------------|
| 1   | AM102610 | PISTON RING KIT | 2   | STD                            |
| 1   | AM102612 | PISTON RING KIT | 2   | 0.50 MM (.020") OS             |
| 2   | M70220   | RETAINER        | 4   |                                |
| 3   | M70219   | PISTON PIN      | 2   |                                |
| 4   | MIU14328 | PISTON          | 2   | SUB FOR MIU14328; STD          |
| 4   | M119174  | PISTON          | 2   | 0.50 MM (.020") OS             |
| 5   | M147310  | BOLT            | 4   |                                |
| 6   | AM132284 | CONNECTING ROD  | 2   | ORDER MIA11872                 |
| 6   | MIA11872 | CONNECTING ROD  | 2   |                                |
| 7   | M77843   | SHAFT KEY       | 1   |                                |
| 8   | M147309  | SPUR GEAR       | 1   | USE WITH MIA10555 AND MIA11873 |
| 8   | MIU14329 | SPUR GEAR       | 1   | USE WITH MIA12869              |
| 9   | MIA10555 | CRANKSHAFT      | 1   | ORDER MIA13072                 |
| 9   | MIA11873 | CRANKSHAFT      | 1   | ORDER MIA12869                 |
| 9   | MIA12869 | CRANKSHAFT      | 1   |                                |
| 10  | MIA11874 | CRANKSHAFT      | 1   | ORDER MIA13072; Assembly       |
| 10  | MIA13072 | CRANKSHAFT      | 1   |                                |



MP26828

| KEY | PART NO. | PART NAME     | QTY | REMARKS          |
|-----|----------|---------------|-----|------------------|
| 1   | M147311  | BRACKET       | 2   |                  |
| 2   | M147320  | WASHER        | 4   |                  |
| 3   | M147317  | BOLT          | 4   |                  |
| 4   | 14M7272  | NUT           | 4   | M6               |
| 5   | M147319  | BOLT          | 4   |                  |
| 6   | M147318  | BUSHING       | 4   |                  |
| 7   | MIU14434 | ROCKER ARM    | 4   | SUB FOR M147314  |
| 8   | AM132412 | RETAINER      | 4   |                  |
| 9   | M147315  | PUSH ROD      | 4   |                  |
| 10  | M70213   | TAPPET        | 4   |                  |
| 11  | M72322   | RETAINER      | 4   |                  |
| 12  | M70206   | SPRING        | 4   |                  |
| 13  | M70034   | SEAL          | 4   |                  |
| 14  | M70033   | SEAT          | 4   |                  |
| 15  | M147313  | EXHAUST VALVE | 2   |                  |
| 16  | M147312  | INTAKE VALVE  | 2   |                  |
| 17  | M147316  | SPRING        | 1   |                  |
| 18  | MIA12870 | CAMSHAFT      | 1   | SUB FOR AM132286 |



MP36727

Thank you so much for reading.  
Please click the “Buy Now!”  
button below to download the  
complete manual.



After you pay.

You can download the most  
perfect and complete manual in  
the world immediately.

Our support email:

[ebooklibonline@outlook.com](mailto:ebooklibonline@outlook.com)