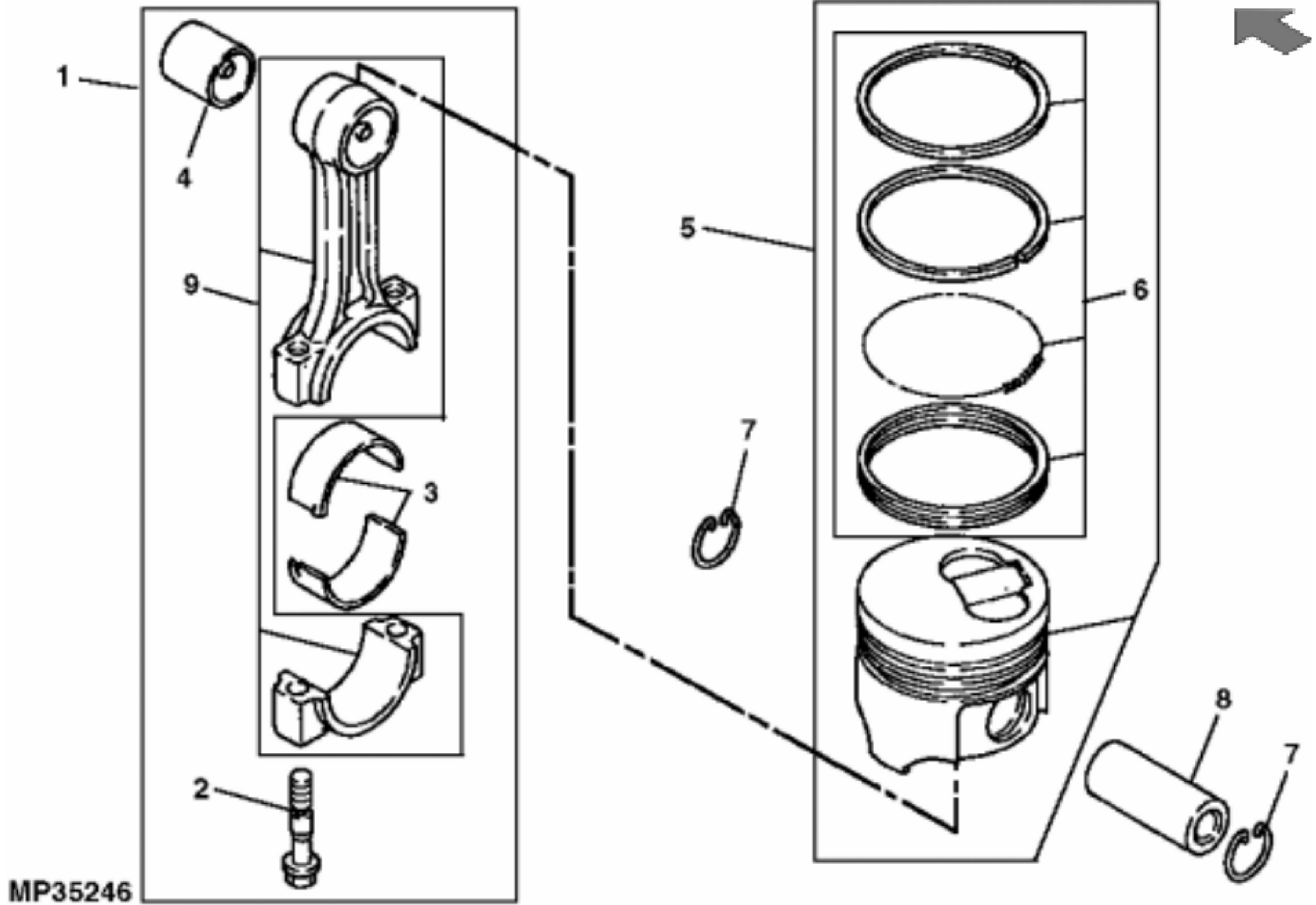


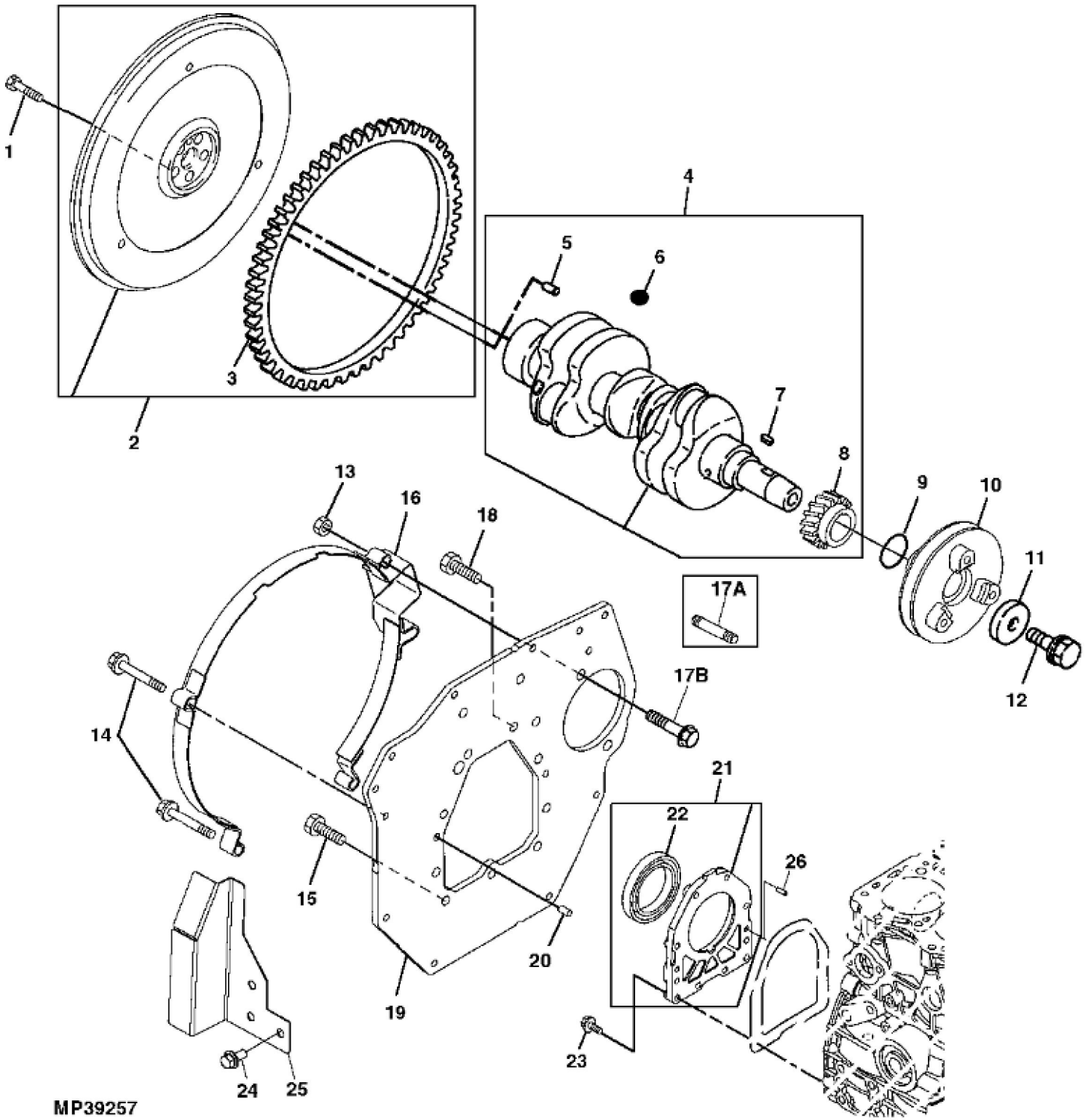
KEY	PART NO.	PART NAME	QTY	REMARKS
1	M800970	BOLT	14	
2	M811815	ENGINE CYLINDER HEAD GASKET	1	NLA; ORDER MIU802007
2	MIU802007	GASKET	1	
3	CH18079	SPRING PIN	2	
4	M811807	PLUG	3	
5	CYLINDER BLOCK	1	
6	MIU800572	CAMSHAFT	1	(SUB FOR M811828)
7	M87871	BOLT	3	
8	M811882	SHAFT	1	Idle Gear
9	M800006	DOWEL PIN	2	
10	CH10314	PLUG	1	
11	M802255	PIN	2	Seal Housing
12	M802254	PIN	2	Starter Flange
13	MIA880551	BEARING	4	STD, (SUB FOR MIA880033)
13	AM882418	BEARING KIT	4	.25 MM (.010") US
14	AM882419	BEARING KIT	2	Thrust
15	M87801	PLUG	1	
16	BEARING CAP	1	
17	M87879	BOLT	8	
18	BEARING CAP	3	
19	MIA880096	CYLINDER BLOCK	1	(SUB FOR AM882444)
20	M811805	PLUG	4	
21	CH10335	PLUG	1	
22	M809593	PLUG	1	
..	AM133448	DIESEL ENGINE	1	NLA; ORDER AM133449; MARKED 3TNV76-XJLT; Not Illustrated
..	AM133449	DIESEL ENGINE	1	NLA; ORDER MIA880049; MARKED 3TNV76-XJLTE; Not Illustrated
..	MIA880049	SHORT BLOCK ASSEMBLY	1	NLA; ORDER MIA882684; Not Illustrated
..	MIA882684	SHORT BLOCK ASSEMBLY	1	Not Illustrated



MP35246

John Deere > Turf And Utility >TRACTOR, LAWN AND GARDEN >X744 - TRACTOR, LAWN AND GARDEN >X744 Select Series Ultimate Tractor >20 ENGINE AM133449 >ST538870 - CONNECTING ROD AND PISTON

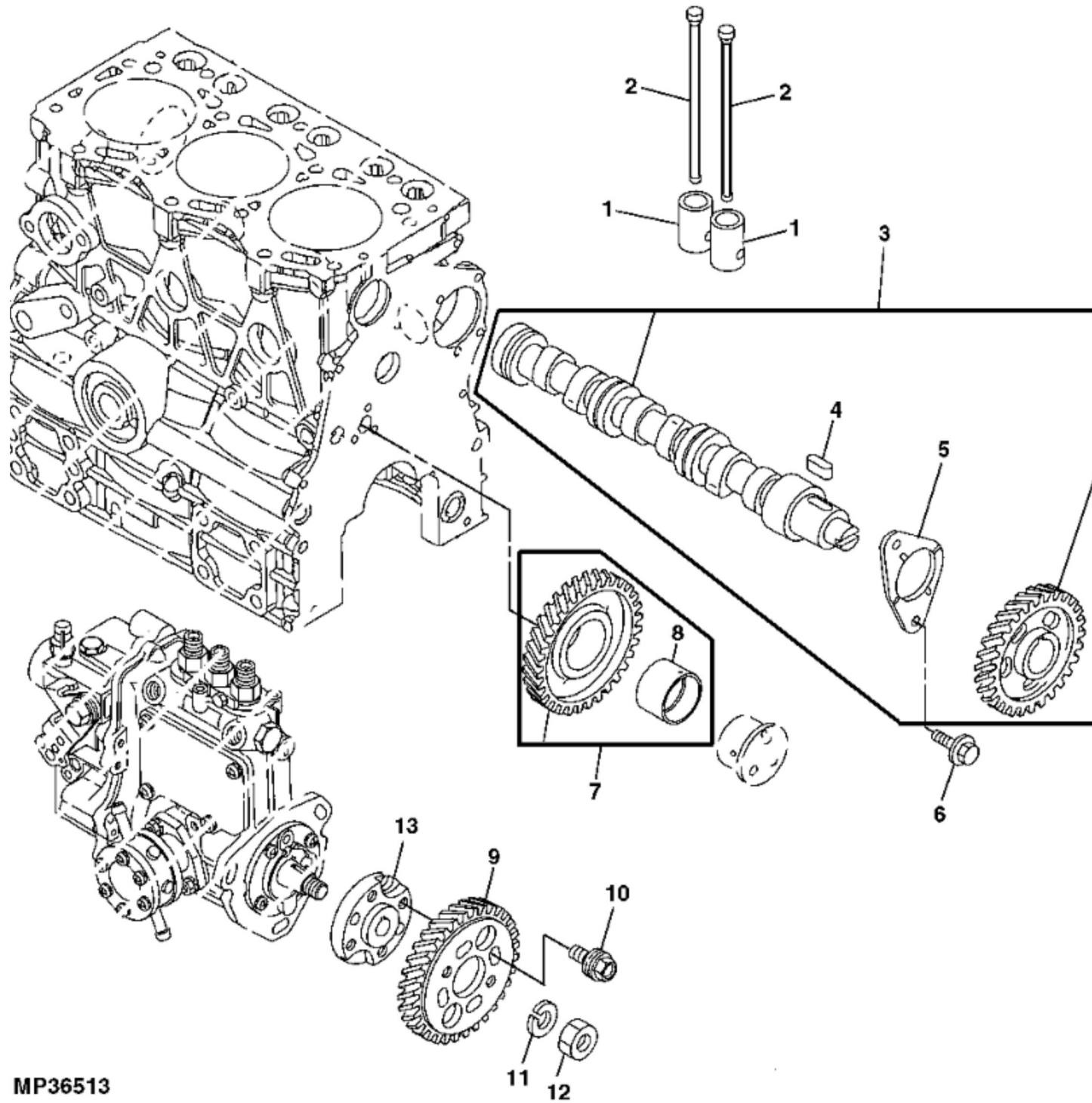
KEY	PART NO.	PART NAME	QTY	REMARKS	
1	AM882431	CONNECTING ROD	3	ASSEMBLY	
2	M811877	BOLT	2		
3	MIA880561	BEARING	1	SUB FOR AM882432; STD	
3	MIA880566	BEARING	1	US = 0.25 mm, SUB FOR AM882433	
4	M811880	BUSHING	1		
5	AM882426	PISTON	3	STD	
5	AM882430	PISTON	3	OS = 0.25 mm	
6	AM882428	PISTON RING KIT	1	STD	
6	AM882429	PISTON RING KIT	1	OS = 0.25 mm	
7	CH11486	RING	6		
8	M811869	PISTON PIN	3		
9	CONNECTING ROD	1		



MP39257

John Deere > Turf And Utility >TRACTOR, LAWN AND GARDEN >X744 - TRACTOR, LAWN AND GARDEN >X744 Select Series Ultimate Tractor >20 ENGINE AM133449 >ST538872 - CRANKSHAFT, FLYWHEEL AND MOUNTING FLANGE

KEY	PART NO.	PART NAME	QTY	Serial No.	REMARKS
1	M87887	BOLT	5		
2	AM882447	FLYWHEEL	1		
3	RING GEAR	1		
4	AM882425	CRANKSHAFT	1		
5	M802255	PIN	1		7.925 X 18.999 mm
6	400R	BALL	3		
7	M87812	SHAFT KEY	1		
8	M811864	GEAR	1		
9	CH17827	O-RING	1		NLA; ORDER MIU802534
9	MIU802534	WASHER	1		
10	M811947	PULLEY	1		
11	M811865	WASHER	1		NLA; ORDER MIU802535
11	MIU802535	WASHER	1		
12	MIU801499	BOLT	1		SUB FOR M800075
13	CH15585	NUT	2	____-020000	
14	19M7868	SCREW	3	____-020000	M8 X 30
15	19M7402	CAP SCREW	3	____-020000	M10 X 25
16	MIU800518	COVER	1	____-020000	SUB FOR M811944
17A	M87982	STUD	2	____-020000	
17B	19M7872	CAP SCREW	2	020001-____	M12 X 25
18	M800011	BOLT	9	____-020000	
18	M800011	BOLT	5	020001-____	
19	MIU800517	FLANGE	1	____-020000	SUB FOR M811940
19	MIU800516	FLANGE	1	020001-____	
20	M802254	PIN	2		5.944 X 13.310 mm
21	AM882411	HOUSING	1		
22	M801941	SEAL	1		
23	M87826	BOLT	10		
24	19M7784	SCREW	2	020001-____	M10 X 20
25	M155804	GUARD	1	020001-____	
26	M802255	PIN	2		7.925 X 18.999 mm



MP36513

Thank you so much for reading.
Please click the “Buy Now!”
button below to download the
complete manual.



After you pay.

You can download the most
perfect and complete manual in
the world immediately.

Our support email:

ebooklibonline@outlook.com