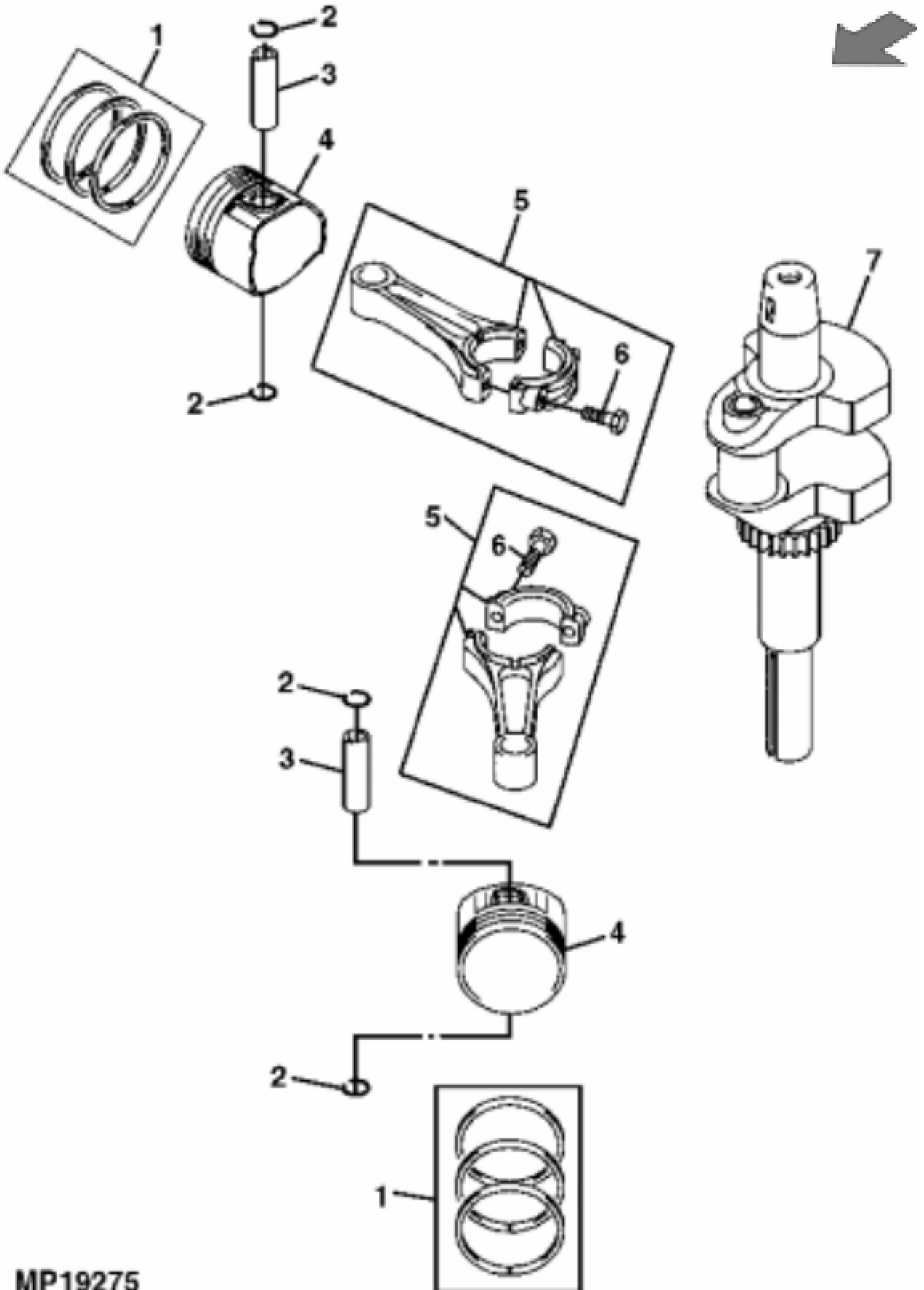


MP38637

John Deere > Turf And Utility >TRACTOR, LAWN AND GARDEN >X300 - TRACTOR, LAWN AND GARDEN >X300 Select Series Tractor >20 ENGINE, MARKED FH491V MM14827, MM14828 >ST541409 - CYLINDER HEAD AND CRANKCASE

KEY	PART NO.	PART NAME	QTY	Serial No.	REMARKS
1	MIA10583	CRANKCASE	1		
2	M127431	ADAPTER FITTING	1		
2	MIU13767	ADAPTER FITTING	1		USE WITH MIA12356
3	MIU10963	GASKET	1		ORDER MIU13318; ALSO ORDER MIU13317 AND (4) 19M7775
3	MIU13318	GASKET	1		
4	MIU10964	COVER	1		BREATHER; NLA; ORDER MIU13317
4	MIU13317	COVER	1		
5	MIU11325	BOLT	4		
5	19M7775	SCREW	4		M6 X 16
6	M149281	SEAL	1		
7	MIU11322	BOLT	2		
8	M138389	SEAL	4		
9	19M7320	CAP SCREW	4		M6 X 40
10	MIU12700	CASE	2		ROCKER (SUB FOR MIU11950)
11	M138375	GASKET	2		ROCKER CASE
12	19M8319	SCREW	17		M8 X 50, (ENGINE MARKED FH491V-AS04, FH491V- BS04, FH491V-CS04, FH491V-DS04, FH491V-ES04, FH491V-CS50; SUB FOR MIU11326
12	M138393	BOLT	17		(ENGINE MARKED FH491V-AS50, FH491V-BS50)
13	MIA10582	CYLINDER HEAD	1		NO.1
14	M138388	PIN	6		
15	MIU10961	ENGINE CYLINDER HEAD GASKET	2		
16	M138395	STUD	4		NLA; ORDER MIU11736
16	MIU11736	BOLT	4		NLA; ORDER MIU12726
16	MIU12726	STUD	4		
17	MIU10962	GASKET	1		CRANKCASE COVER
18	MIA10581	CYLINDER HEAD	1		NO.2
19	M149282	SEAL	1		
20	M138392	SEAL	1		NLA; ORDER M151774
20	M151774	SEAL	1		
21	MIU10965	COVER	1		CRANKCASE
22	GC00331	SCREW	4		9.525 X 29.580 mm, NLA; ORDER GX24210
22	GX24210	SCREW	4		

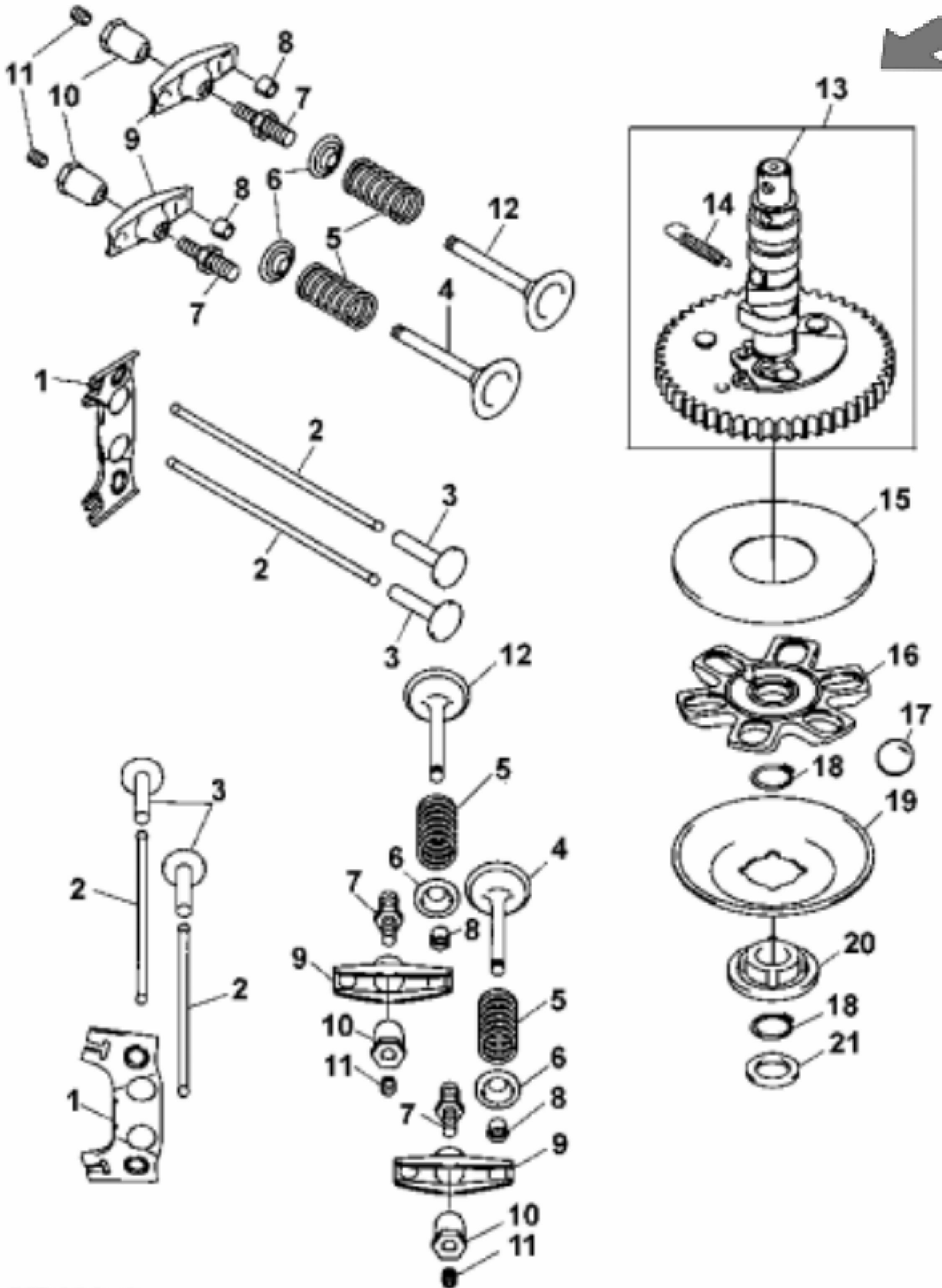
KEY	PART NO.	PART NAME	QTY	Serial No.	REMARKS
23	M147270	PLUG	1		NLA; ORDER MIU14001; OIL PRESSURE SWITCH PORT (ENGINE MARKED FH491V-BS04, FH491V-DS04, FH491V-ES04, FH491V-AS50, FH491V-CS50)
23	MIU14001	PLUG	1		
..	AM134885	GASOLINE ENGINE	1		(MARKED FH491V-AS04), (SUB MIA11074) (ALSO ORDER AM136579)
..	MIA10833	GASOLINE ENGINE	1		(MARKED FH491V-BS04), (SUB MIA11074)
..	MIA11074	GASOLINE ENGINE	1		MARKED FH491V-CS04; SUB MIA11369
..	MIA11369	GASOLINE ENGINE	1		(MARKED FH491V-DS04), (SUB MIA11831)
..	MIA11831	GASOLINE ENGINE	1		(MARKED FH491V-ES04)
..	MIA10497	GASOLINE ENGINE	1		(MARKED FH491V-AS50) (EXPORT), (SUB MIA11075)
..	MIA11075	GASOLINE ENGINE	1		MARKED FH491V-BS50; SUB MIA11370; Export
..	MIA11370	GASOLINE ENGINE	1		(MARKED FH491V-CS50), (SUB MIA10604)
..	MIA10604	SHORT BLOCK ASSEMBLY	1	_____085000	



MP19275

PISTON AND CRANKSHAFT

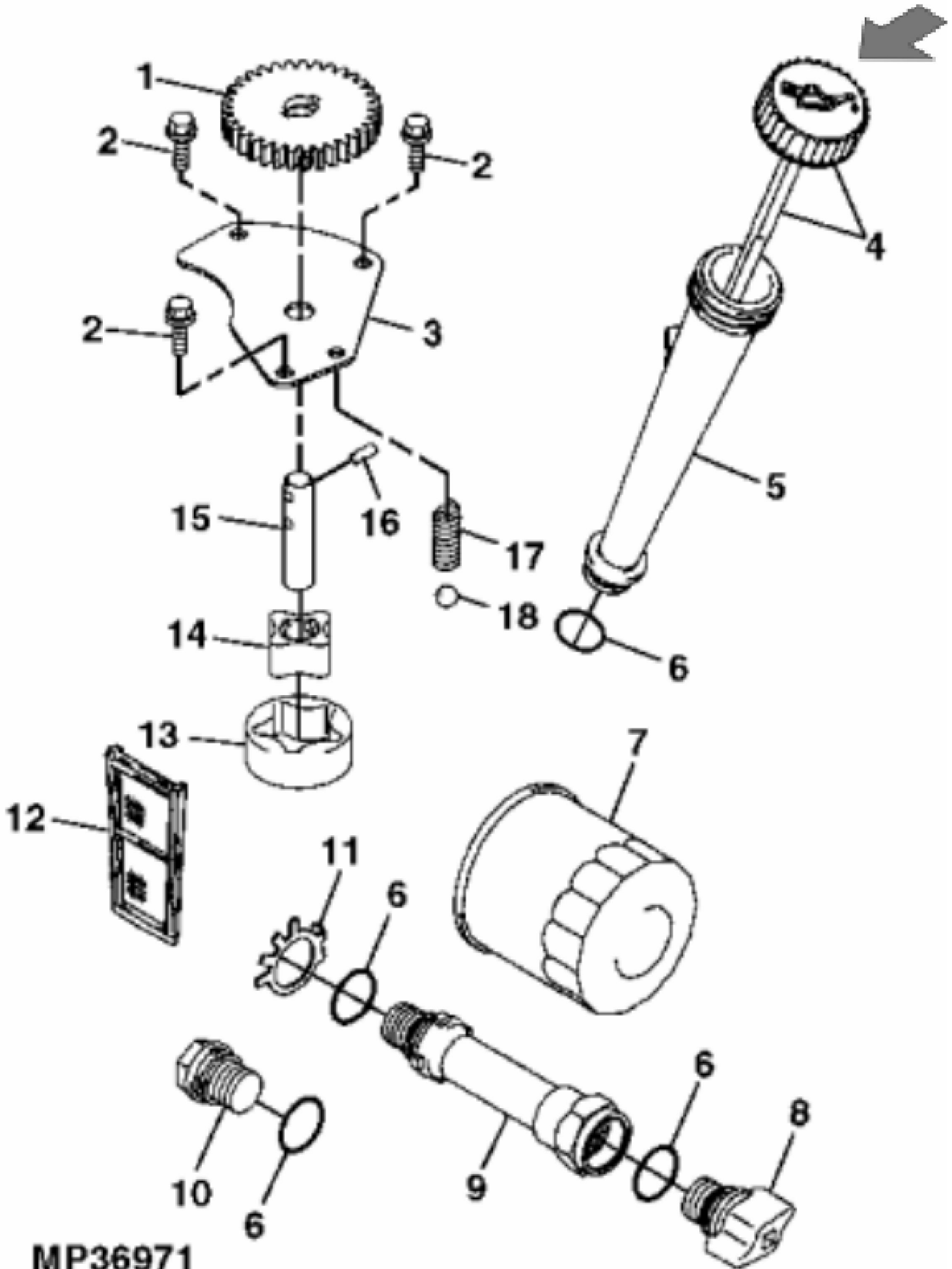
KEY	PART NO.	PART NAME	QTY	REMARKS
1	AM127861	PISTON RING KIT	2	STD; MARKED FH491V-AS04, FH491V-BS04, FH491V-CS04, FH491V-DS04, FH491V-ES04, FH491V-AS50, FH491V-BS50, FH491V-CS50
1	AM128007	PISTON RING KIT	AR	0.50 MM (.020") OS, MARKED FH491V-AS04, FH491V-BS04, FH491V-CS04, FH491V-DS04, FH491V-ES04, FH491V-AS50, FH491V-BS50, FH491V-CS50
2	M140233	SNAP RING	4	
3	M138397	PISTON PIN	2	
4	MIU10966	PISTON	2	STD; MARKED FH491V-AS04, FH491V-BS04, FH491V-CS04, FH491V-DS04, FH491V-ES04, FH491V-AS50, FH491V-BS50, FH491V-CS50
4	MIU10967	PISTON	AR	0.50 MM (.020") OS, MARKED FH491V-AS04, FH491V-BS04, FH491V-CS04, FH491V-DS04, FH491V-ES04, FH491V-AS50, FH491V-BS50, FH491V-CS50
5	MIA10585	CONNECTING ROD	2	MARKED FH491V-AS04, FH491V-BS04, FH491V-CS04, FH491V-DS04, FH491V-ES04, FH491V-AS50, FH491V-BS50, FH491V-CS50
5	MIU10968	CONNECTING ROD	AR	0.50 MM (.020") US
6	19M7796	SCREW	4	M6 X 30
7	MIA10584	CRANKSHAFT	1	MARKED FH491V-AS04, FH491V-BS04, FH491V-CS04, FH491V-DS04, FH491V-ES04, FH491V-AS50, FH491V-BS50, FH491V-CS50



MP19276

CAMSHAFT AND VALVES

KEY	PART NO.	PART NAME	QTY	REMARKS	
1	M138404	GUIDE	2	Push Rod	
2	M76088	PUSH ROD	4		
3	M138403	TAPPET	4		
4	MIU10970	EXHAUST VALVE	2		
5	M138409	COMPRESSION SPRING	4		
6	M138401	RETAINER	4	Valve Spring	
7	M146881	BOLT	4		
8	M118845	RETAINER	4	2 Halves Each	
9	M138402	ROCKER ARM	4		
10	M92891	NUT	4		
11	M138410	SCREW	4		
12	MIU10969	INTAKE VALVE	2		
13	MIA10586	CAMSHAFT	1		
14	M138413	EXTENSION SPRING	1		
15	M140240	PLATE	1		
16	M140238	GUIDE	1		
17	MIU10971	BALL BEARING	6		
18	M138411	SNAP RING	2	NLA; ORDER MIU14000	
18	MIU14000	SNAP RING	2		
19	M146880	PLATE	1		
20	MIU10708	SLEEVE	1	NLA; ORDER MIU13044	
20	MIU13044	SLEEVE	1		
21	M138415	WASHER	1		



MP36971

Thank you so much for reading.
Please click the “Buy Now!”
button below to download the
complete manual.



After you pay.

You can download the most
perfect and complete manual in
the world immediately.

Our support email:

ebooklibonline@outlook.com