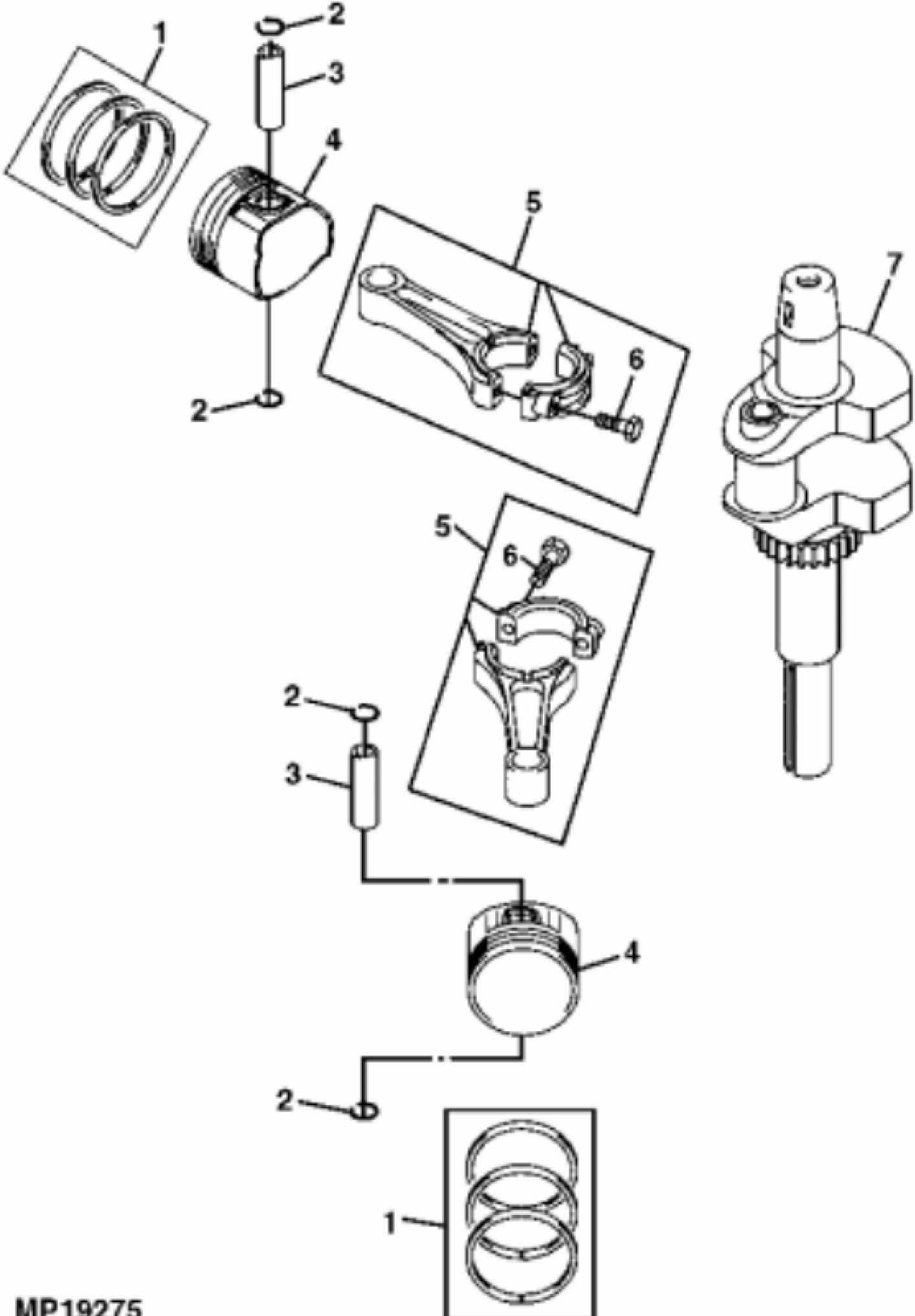


MP37213

John Deere > Turf And Utility >TRACTOR, LAWN AND GARDEN >X340 - TRACTOR, LAWN AND GARDEN >X340 Select Series Tractor >20 ENGINE MM14830 >ST540935 - CYLINDER HEAD AND CRANKCASE

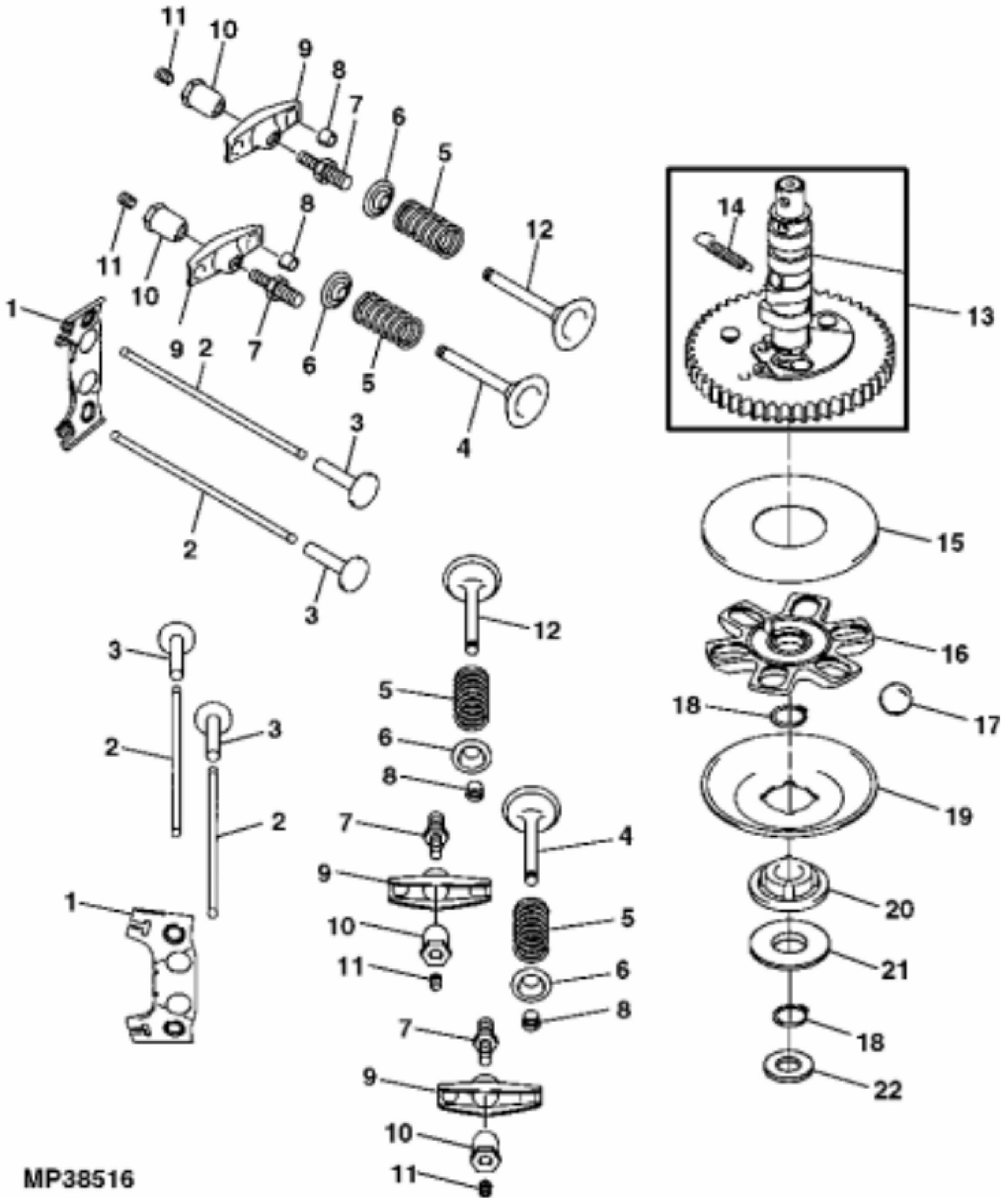
KEY	PART NO.	PART NAME	QTY	Serial No.	REMARKS
1	MIA10523	CRANKCASE	1		(ENGINE MARKED FH721V-AS34)
1	MIA10920	CRANKCASE	1		(ENGINE MARKED FH721V-BS34, CS34, DS34)
2	M141350	FILTER ELEMENT	1		NLA; ORDER MIA11393
3	M140222	GASKET	1	____-085000	BREATHER, (SUB MIA11393)
3	MIU11731	GASKET	1	085001-____	(A)
4	M140224	COVER	1	____-085000	BREATHER, (SUB MIA11393)
4	MIU11732	COVER	1	085001-____	(A)
5	MIU11325	BOLT	4	____-085000	(SUB MIA11393)
5	19M7775	SCREW	4	085001-____	M6 X 16, (A)
6	M150948	SEAL	1		
7	M138394	BOLT	2		(ENGINE MARKED FH721V-AS34)
7	MIU11322	BOLT	2		(ENGINE MARKED FH721V-BS34, CS34, DS34)
8	M138389	SEAL	4		
9	19M7320	CAP SCREW	4		M6 X 40
10	M140218	CASE	2		ROCKER
11	M140221	GASKET	2		ROCKER CASE
12	19M8319	SCREW	18		M8 X 50, (SUB FOR MIU11326)
13	MIA10402	CYLINDER HEAD	1		NO.1
14	M138388	PIN	6		
15	M147908	ENGINE CYLINDER HEAD GASKET	2		
16	M138395	STUD	4		NLA; ORDER MIU11736
16	MIU11736	BOLT	4		NLA; ORDER MIU12726
16	MIU12726	STUD	4		
17	M140220	GASKET	1		CRANKCASE COVER
18	AM135296	CYLINDER HEAD	1		NO.2
19	M147270	PLUG	1		NLA; ORDER MIU14001
19	MIU14001	PLUG	1		
20	M140231	SNAP RING	2		
21	M149282	SEAL	1		
22	M138392	SEAL	1		NLA; ORDER M151774
22	M151774	SEAL	1		
23	MIU11292	COVER	1		CRANKCASE, (SUB FOR M150623)
24	M140223	PLATE	1		
25	M140229	VALVE	1		

KEY	PART NO.	PART NAME	QTY	Serial No.	REMARKS
26	GC00331	SCREW	4		9.525 X 29.580 mm, NLA; ORDER GX24210; ENGINE MOUNTING
26	GX24210	SCREW	4		
27	21M7244	SCREW	1		M4 X 8
..	AM134887	GASOLINE ENGINE	1		(MARKED FH721V-AS34) (SUB MIA11834) (ALSO ORDER AM136579)
..	MIA10834	GASOLINE ENGINE	1		(MARKED FH721V-BS34) (SUB MIA11834)
..	MIA11077	GASOLINE ENGINE	1		(MARKED FH721V-CS34) (SUB MIA11834)
..	MIA11834	GASOLINE ENGINE	1		(MARKED FH721V-DS34)
..	MIA10964	SHORT BLOCK ASSEMBLY	1		(USE WITH MIA10834 OR AM134887)
..	MIA11393	COVER KIT	1	XXXXXX-____	(INCLUDES PARTS MARKED (A))



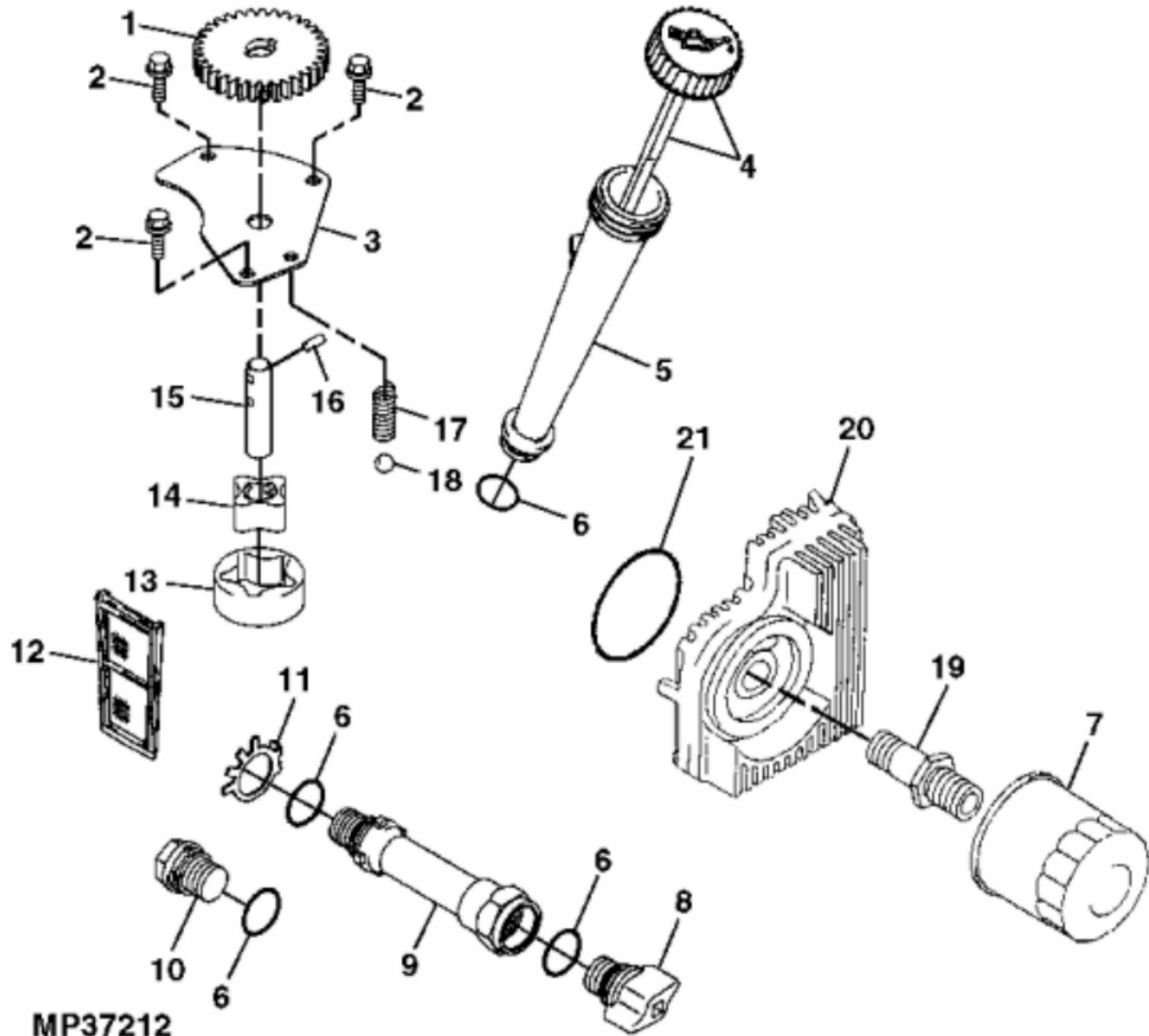
MP19275

KEY	PART NO.	PART NAME	QTY	REMARKS	
1	AM128738	PISTON RING KIT	2	STD	
1	AM132069	PISTON RING KIT	AR	.50 MM (.020") OS	
2	M138398	SNAP RING	4	(SUB FOR M140233)	
3	M138397	PISTON PIN	2		
4	M143319	PISTON	2	STD	
4	M146875	PISTON	AR	.50 MM (.020") OS	
5	MIA10804	CONNECTING ROD	2	(SUB FOR AM132025)	
6	M146763	BOLT	2		
7	AM133931	CRANKSHAFT	1		



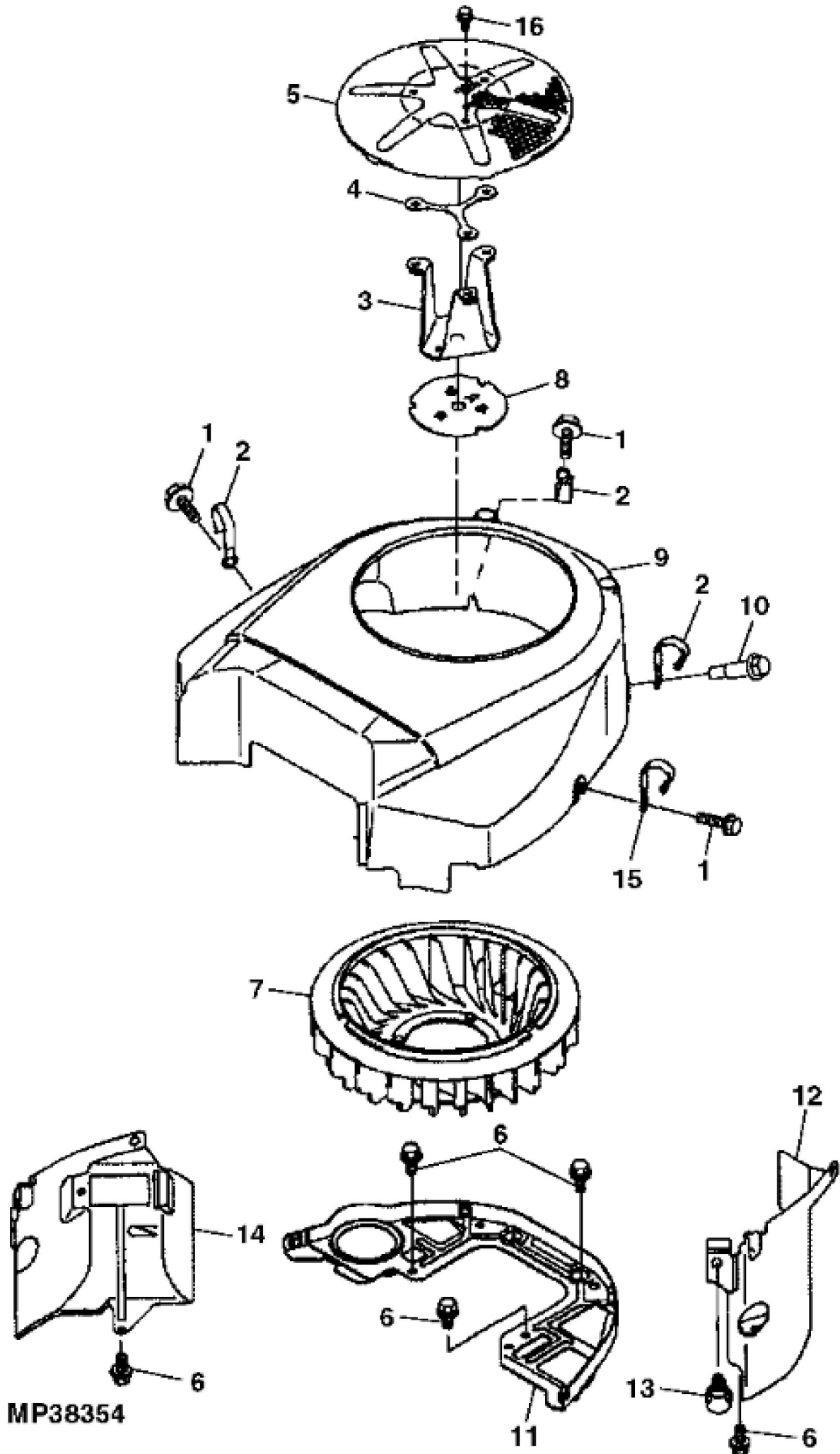
MP38516

KEY	PART NO.	PART NAME	QTY	REMARKS	
1	M146877	GUIDE	2	PUSH ROD	
2	M146879	PUSH ROD	4		
3	M138403	TAPPET	4		
4	M147596	EXHAUST VALVE	2		
5	M140241	SPRING	4		
6	M138401	RETAINER	4		
7	M146881	BOLT	4		
8	M118845	RETAINER	4	(2 HALVES EACH)	
9	M146876	ROCKER ARM	4		
10	M92891	NUT	4		
11	M138410	SCREW	4		
12	M140234	INTAKE VALVE	2		
13	MIA10793	CAMSHAFT	1		
14	M138413	EXTENSION SPRING	1		
15	M140240	PLATE	1		
16	M140238	GUIDE	1		
17	MIU10971	BALL	6	(SUB FOR M138412)	
18	M138411	SNAP RING	2	NLA; ORDER MIU14000	
18	MIU14000	SNAP RING	2		
19	M146880	PLATE	1		
20	MIU10708	SLEEVE	1	NLA; ORDER MIU13044	
20	MIU13044	SLEEVE	1		
21	M146882	WASHER	1		
22	MIU11231	WASHER	1		



MP37212

KEY	PART NO.	PART NAME	QTY	REMARKS
1	M148074	SPUR GEAR	1	
2	MIU11325	BOLT	3	
3	M140242	PLATE	1	
4	AM133354	GAUGE	1	
5	M148470	FILLER NECK	1	
6	M88478	O-RING	4	
7	AM107423	OIL FILTER	1	MARKED FH721V-AS34, FH721V-B534, FH721V-CS34, FH721V-DS34
8	MIU10810	PLUG	1	
9	MIU10972	TUBE	1	
10	M138425	PLUG	1	
11	MIU10974	WASHER	1	
12	M140243	OIL FILTER	1	
13	M150626	ROTOR	1	
14	M150625	ROTOR	1	
15	MIU10707	SHAFT	1	
16	M138423	PIN	2	
17	M138429	SPRING	1	
18	M138428	BALL	1	
19	M147010	ADAPTER	1	
20	MIU11758	OIL COOLER	1	(SUB FOR M149395)
21	M147017	O-RING	1	



MP38354

Thank you so much for reading.
Please click the “Buy Now!”
button below to download the
complete manual.



After you pay.

You can download the most
perfect and complete manual in
the world immediately.

Our support email:

ebooklibonline@outlook.com