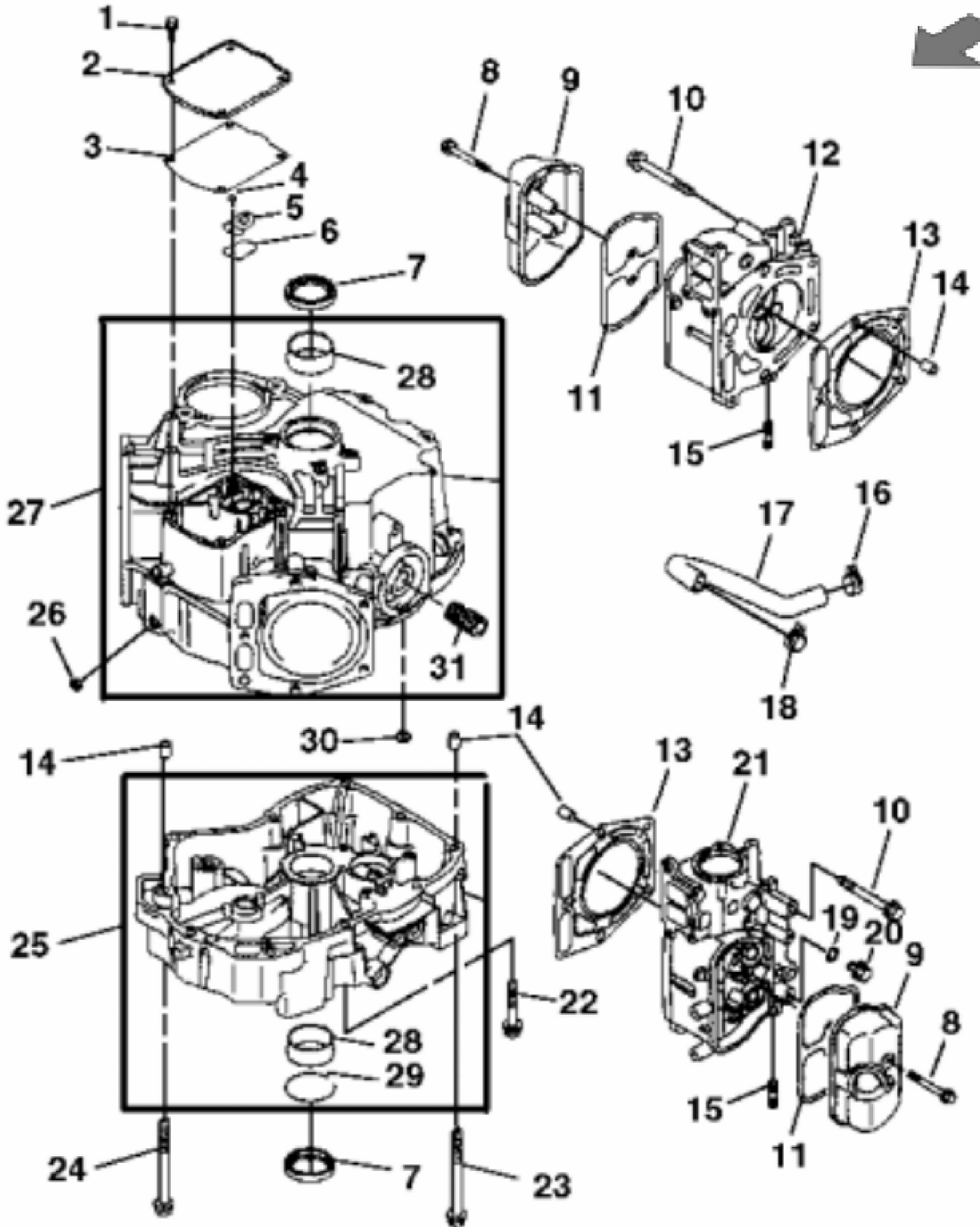


PU15005

KEY	PART NO.	PART NAME	QTY	REMARKS	
1	AM134889	GASOLINE ENGINE	1	MARKED FD731V-AS02	
1	MIA10765	GASOLINE ENGINE	1	MARKED FD731V-BS02; SUB MIA11742; ALSO ORDER AM136579	
1	MIA10835	GASOLINE ENGINE	1	MARKED FD731V-CS02; SUB MIA11742; ALSO ORDER AM136579	
1	MIA11078	GASOLINE ENGINE	1	MARKED FD731V-DS02; SUB MIA11835	
1	MIA11711	GASOLINE ENGINE	1	MARKED FD731V-ES02; SUB MIA11835	
1	MIA11777	GASOLINE ENGINE	1	MARKED FD731V-FS02; SUB MIA11835	
1	MIA11835	GASOLINE ENGINE	1	MARKED FD731V-GS02	
1	MIA11887	GASOLINE ENGINE	1	NLA; ORDER MIA12030; MARKED FD731V	
1	MIA12030	GASOLINE ENGINE	1	MARKED FD731V-HS02	
1	MIA11742	SHORT BLOCK ASSEMBLY	1	NLA	

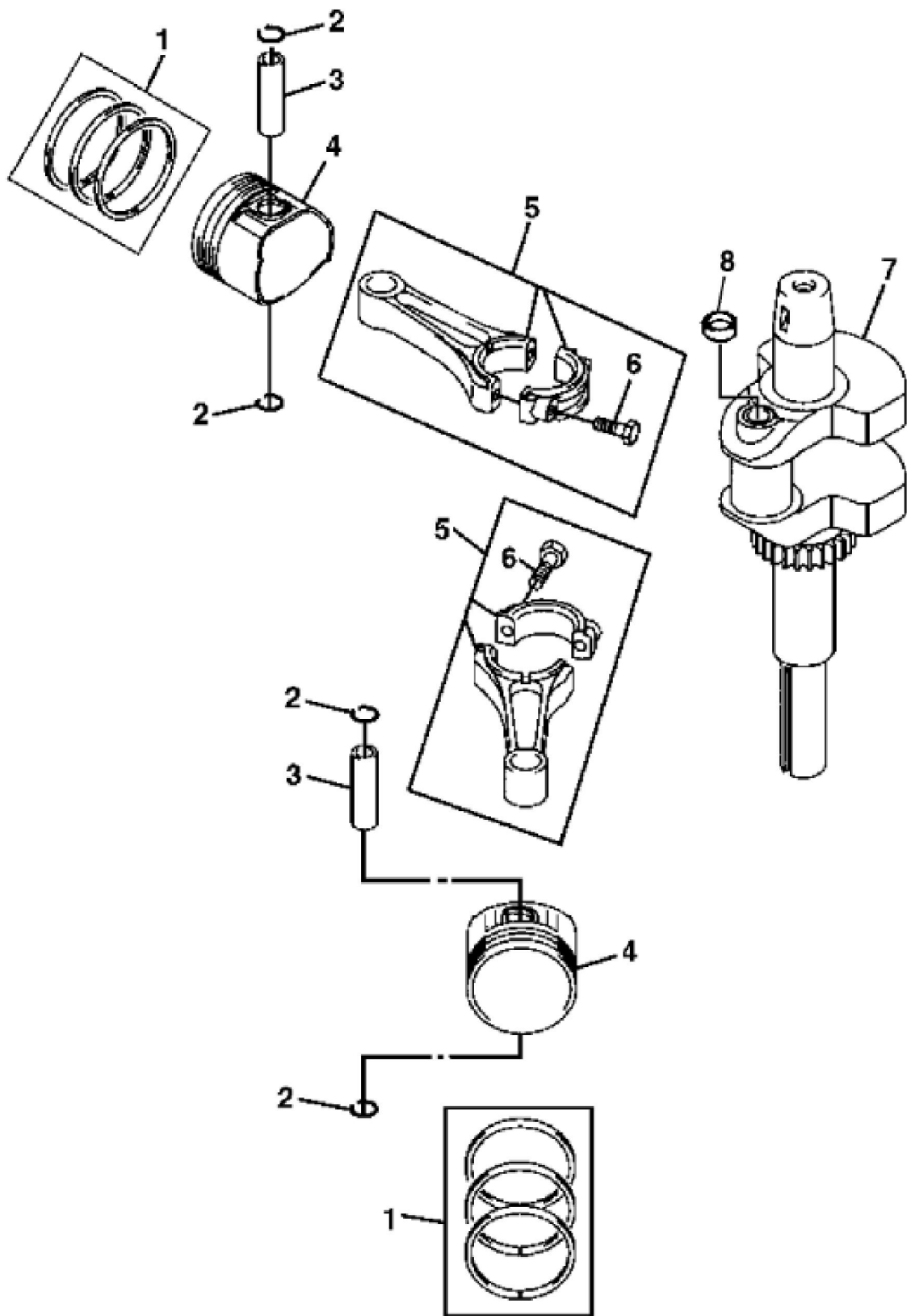


MP40998

John Deere > Turf And Utility >TRACTOR, LAWN AND GARDEN >X540 - TRACTOR, LAWN AND GARDEN >X540 Multi-Terrain Tractor >20 ENGINE MM13809, MM15852 >ST542137 - CYLINDER HEAD AND CRANKCASE

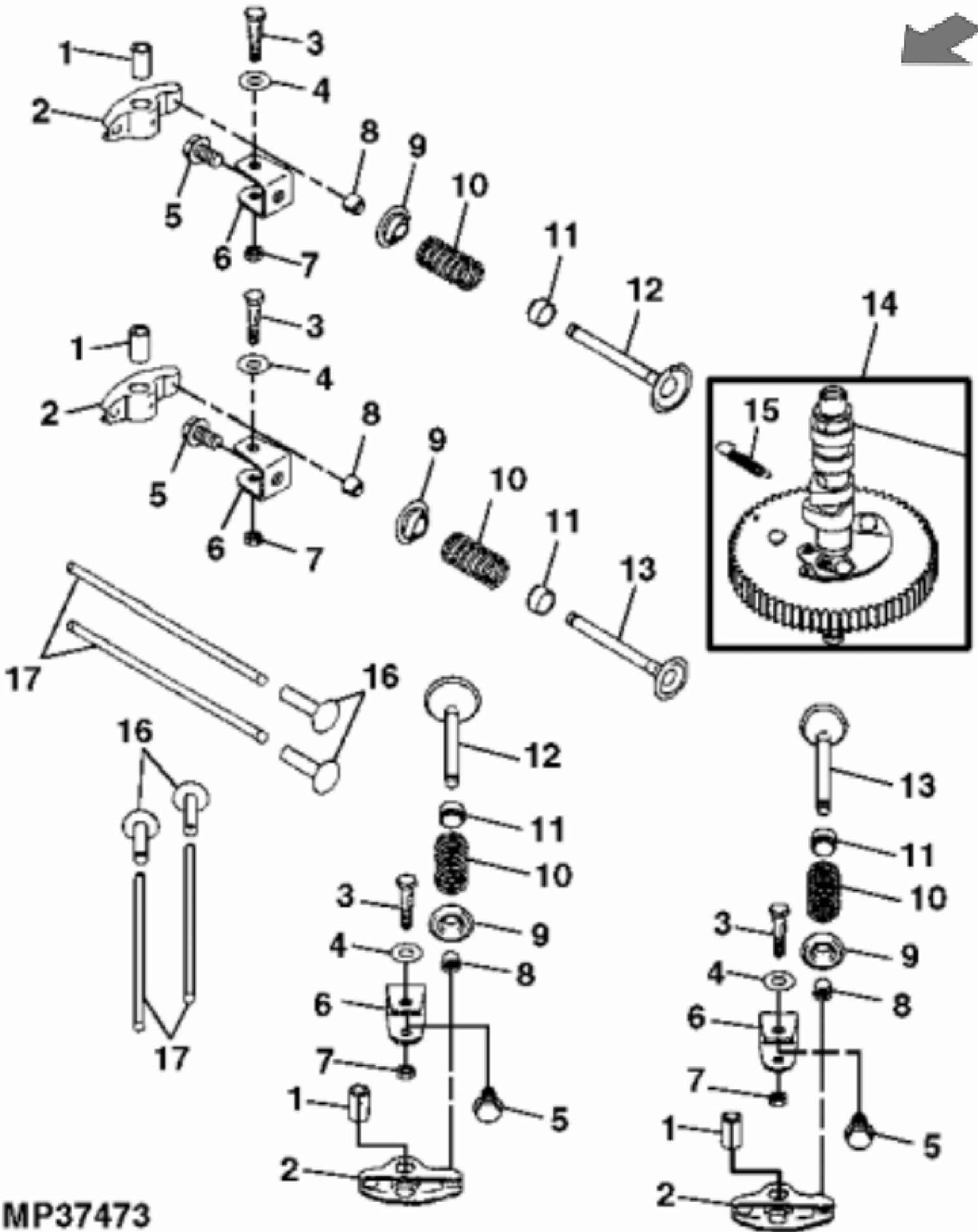
KEY	PART NO.	PART NAME	QTY	REMARKS
1	19M7774	SCREW	4	M6 X 12
2	MIU10827	COVER	1	Breather
3	MIU10824	GASKET	1	Breather
4	21M7258	SCREW	1	M4 X 8
5	MIU10826	PLATE	1	Breather
6	MIU10828	VALVE	1	Breather
7	MIU10832	SEAL	2	
8	MIU11775	BOLT	4	NLA; ORDER MIU11874; SUB FOR M92890
8	MIU11874	BOLT	4	
9	MIU10823	CASE	2	
10	19M7803	SCREW	10	M8 X 70
10	24M7095	WASHER	10	8.400 X 15 X 1.600 mm
11	MIU10825	GASKET	2	
12	MIA10535	CYLINDER HEAD	1	
13	MIU10820	ENGINE CYLINDER HEAD GASKET	2	
14	M70227	PIN	6	
15	MIU11876	BOLT	4	
16	MIU10835	CLAMP	1	
17	MIU10836	TUBE	1	
18	M147352	CLAMP	1	
19	MIU10822	GASKET	1	
20	19M7864	SCREW	1	M8 X 12
21	MIA10536	CYLINDER HEAD	1	
22	19M8319	SCREW	7	M8 X 50
23	GC00331	SCREW	4	NLA; ORDER GX24210; Engine Mounting
23	GX24210	SCREW	4	
24	MIU10838	BOLT	3	MARKED FD731V-AS02
24	19M7970	SCREW	3	M8 X 100, MARKED FD731V-BS02, FD731V-CS02, FD731V-DS02, FD731V-ES02, FD731V-FS02 AND FD731V-GS02
25	MIU10829	COVER	1	MARKED FD731V-AS02, FD731V-BS02, FD731V-CS02 AND FD731V-DS02; SUB MIA11740
25	MIA11740	HOUSING KIT	1	MARKED FD731V-ES02, FD731V-FS02; INCLUDES MIA11741, M150625 AND M150626

KEY	PART NO.	PART NAME	QTY	REMARKS
25	MIA11784	HOUSING KIT	1	MARKED FD731V-GS02; INCLUDES (2) MIU10831, (2) MIU10933, MIU11329 AND MIU11328
26	MIU10833	SEAL	1	
27	MIA11524	CRANKCASE	1	MARKED FD731V-AS02, FD731V-BS02, FD731V-CS02, FD731V-DS02 AND FD731V-ES02; SUB FOR MIA10537
27	MIA11783	CRANKCASE	1	MARKED FD731V-FS02 AND FD731V-GS02; INCLUDES M127431 AND MIU10933
28	MIU10834	BEARING	2	MARKED FD731V-AS02, FD731V-BS02, FD731V-CS02 AND FD731V-DS02
28	MIU10933	BUSHING	3	MARKED FD731V-ES02, FD731V-FS02 AND FD731V-GS02
29	MIU10831	SNAP RING	1	MARKED FD731V-AS02, FD731V-BS02, FD731V-CS02 AND FD731V-DS02
29	MIU10831	SNAP RING	2	MARKED FD731V-ES02, FD731V-FS02 AND FD731V-GS02
30	M76104	O-RING	2	
31	M127431	ADAPTER FITTING	1	
32	MIA12258	CRANKCASE	1	(Not Illustrated) INCLUDES MIA11783, MIA11784, M150625 AND M150626
33	MIA11741	HOUSING	1	(Not Illustrated) INCLUDES MIU11328, MIU11329, (2) MIU10831 AND (2) MIU10933; Crankcase
34	M150625	ROTOR	1	(Not Illustrated) Pump In
35	M150626	ROTOR	1	(Not Illustrated) Pump Out
36	MIU11328	SEALING RING	1	(Not Illustrated) Set of 2
37	MIU11329	SEAL	1	(Not Illustrated) 12 X 22 X 5



John Deere > Turf And Utility >TRACTOR, LAWN AND GARDEN >X540 - TRACTOR, LAWN AND GARDEN >X540 Multi-Terrain Tractor >20 ENGINE MM13809, MM15852 >ST541694 - PISTON AND CRANKSHAFT

KEY	PART NO.	PART NAME	QTY	REMARKS	
1	MIU10842	PISTON RING KIT	2		
2	MIU10843	SNAP RING	4		
3	MIU10841	PISTON PIN	2		
4	MIU10840	PISTON	2		
5	MIA10539	CONNECTING ROD	2		
6	19M7833	SCREW	2	M6 X 35	
7	MIA10538	CRANKSHAFT	1		
8	MIU10844	PLUG	1		



MP37473

Thank you so much for reading.
Please click the “Buy Now!”
button below to download the
complete manual.



After you pay.

You can download the most
perfect and complete manual in
the world immediately.

Our support email:

ebooklibonline@outlook.com