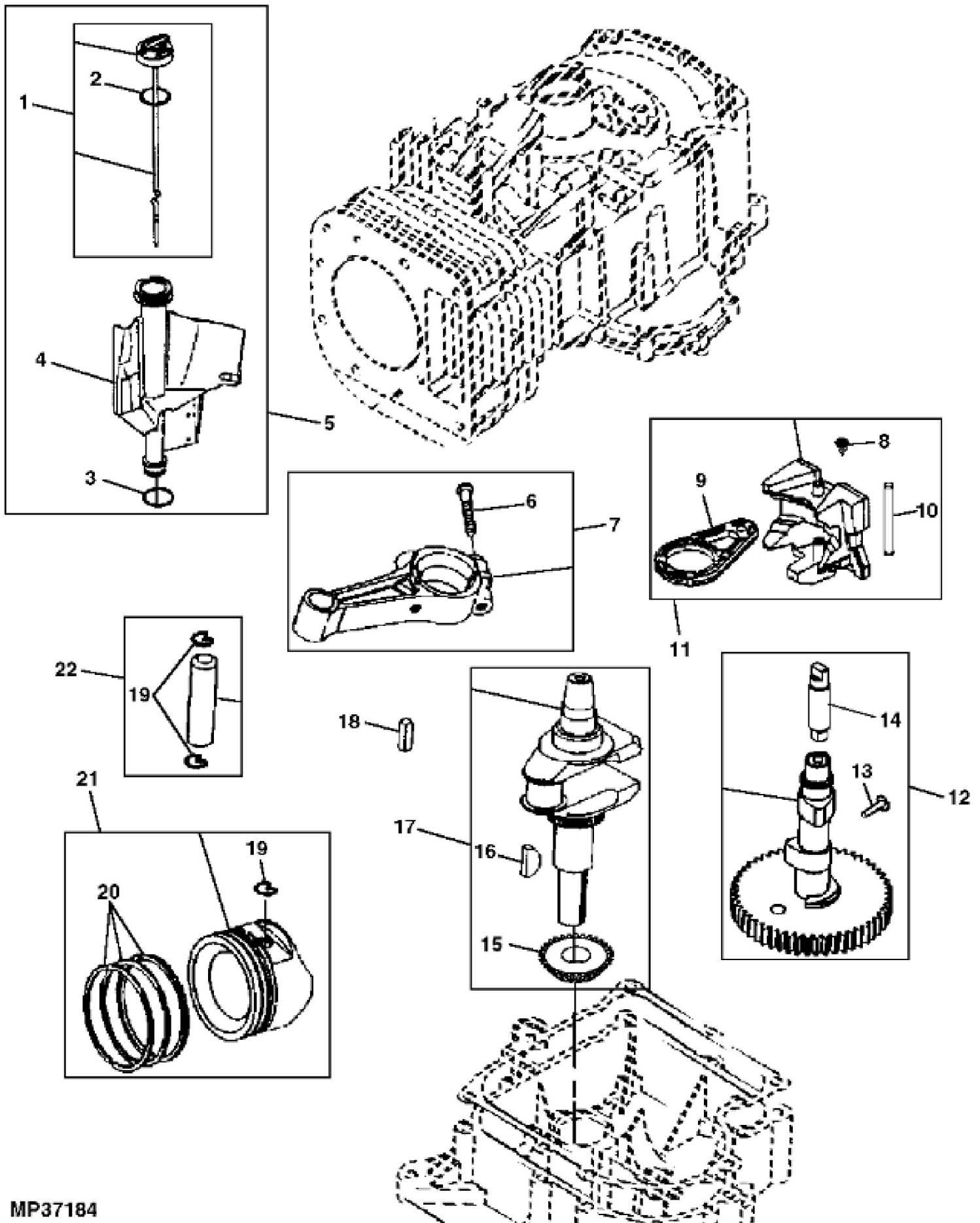


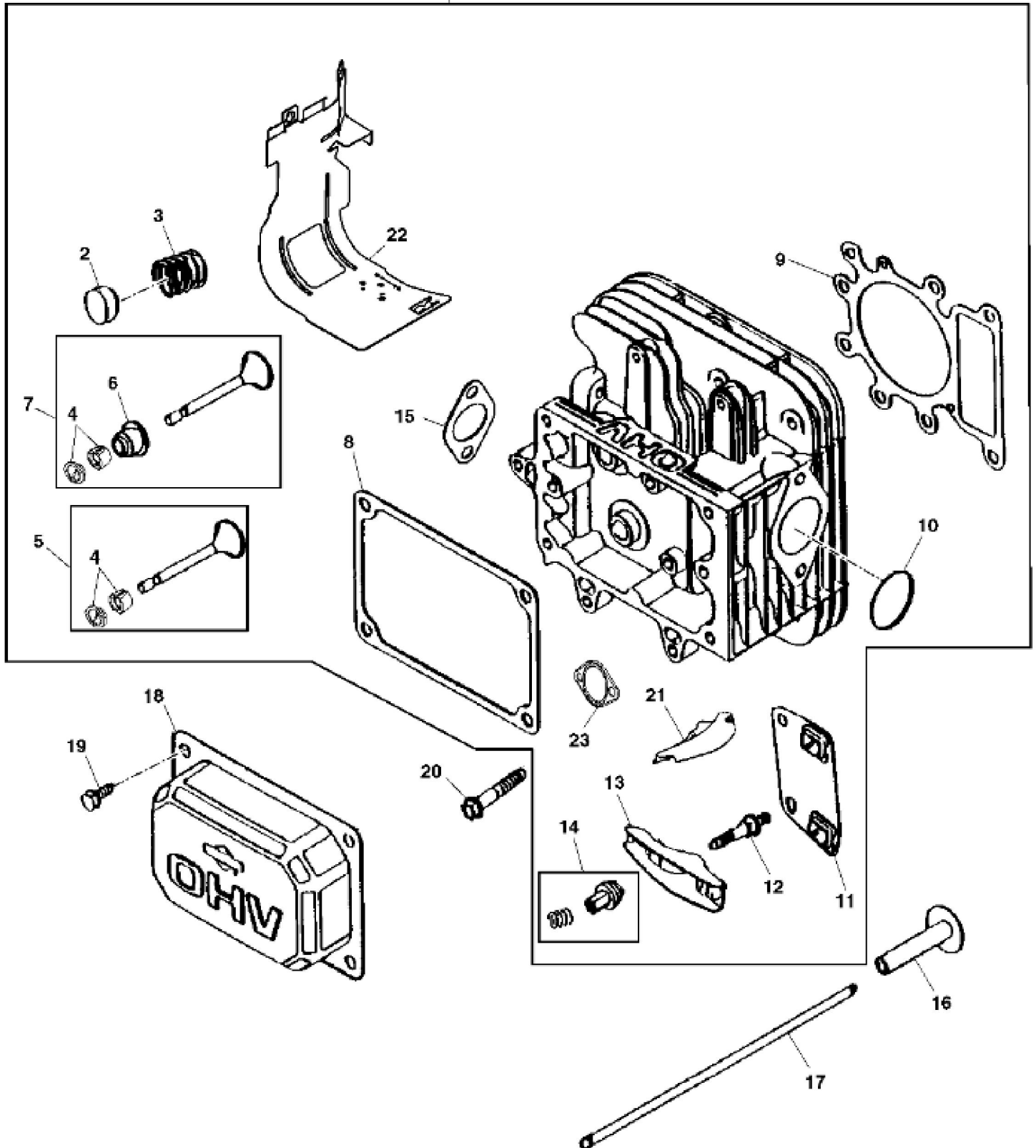
KEY	PART NO.	PART NAME	QTY	REMARKS
1	M147493	SCREEN	1	(SUB MIU11503)
2	M152566	SCREW	4	
3	MIU12152	SCREW	1	(SUB FOR LG690372)
4	MIU11503	FAN	1	(SUB FOR M152561) (SUB MIA11519)
5	LG691968	OIL SLINGER	1	
6	M153303	SCREW	1	
7	AM132343	FLYWHEEL	1	ORDER AUC10649; ALSO ORDER MIU13972
7	AM135134	FLYWHEEL	1	(USE WITH MIA11630)
7	AUC10649	FLYWHEEL	1	
8	LG691265	SNAP RING	1	
9	LG693713	PINION	1	STARTER
10	M147508	SCREW	2	
11	MIU11682	TUBE	1	BREATHER, (SUB FOR M147499)
12	M147500	COVER	1	ORDER MIU11631
12	MIU11631	COVER	1	BREATHER PASSAGE, (USE WITH MIA11630)
13	M147564	GASKET	1	
14	M147507	SCREW	2	
15	M147501	BREATHER	1	REED
16	AM132344	CYLINDER BLOCK	1	
16	MIA11419	CYLINDER	1	(USE WITH MIA11630)
17	LG399265	BEARING	1	ORDER MIA11778; Bushing W/Seal
17	MIA11778	SEAL KIT	1	Bushing W/Seal
18	LG391086S	SEAL	1	(MAGNETO SIDE)
19	LG690959	DOWEL PIN	1	
19	LG690959	DOWEL PIN	2	(USE WITH MIA11630)
20	M147497	BUSHING	1	GOVERNOR
21	LG692407	SEAL	1	GOVERNOR
22	M147513	GASKET	1	
23	MIU11958	SEAL	1	PTO SIDE, (SUB FOR LG690947 OR MIU11212)
24	AM132352	RESERVOIR	1	
25	AM131611	TUBE	1	OIL DRAIN
26	OIL TUBE	1	
27	T77932	O-RING	1	
28	M144897	CAP	1	
29	GC00331	BOLT	4	ORDER GX24210; Engine Mounting

KEY	PART NO.	PART NAME	QTY	REMARKS
29	GX24210	SCREW	4	
30	LG692125	CAP SCREW	10	
31	15H623	PIPE PLUG	1	3/8", (SUB FOR LG690946)
32	MIU11635	PLUG	1	(A)
33	MIA13017	SCREEN KIT	1	(A) SUB FOR MIU11634 AND MIA11525
34	MIU11638	SCREW	2	(A)
35	MIU12139	FAN	1	(A)
36	PM37469	LIQUID GASKET	1	TUBE
37	MIU13972	KEY	1	
..	MIA11630	GASOLINE ENGINE	1	(MARKED 31P707-0149-B1) (SUB FOR MIA10357) (SUB MIA11888)
..	MIA11519	FLYWHEEL KIT	1	(INCLUDES PARTS MARKED (A))

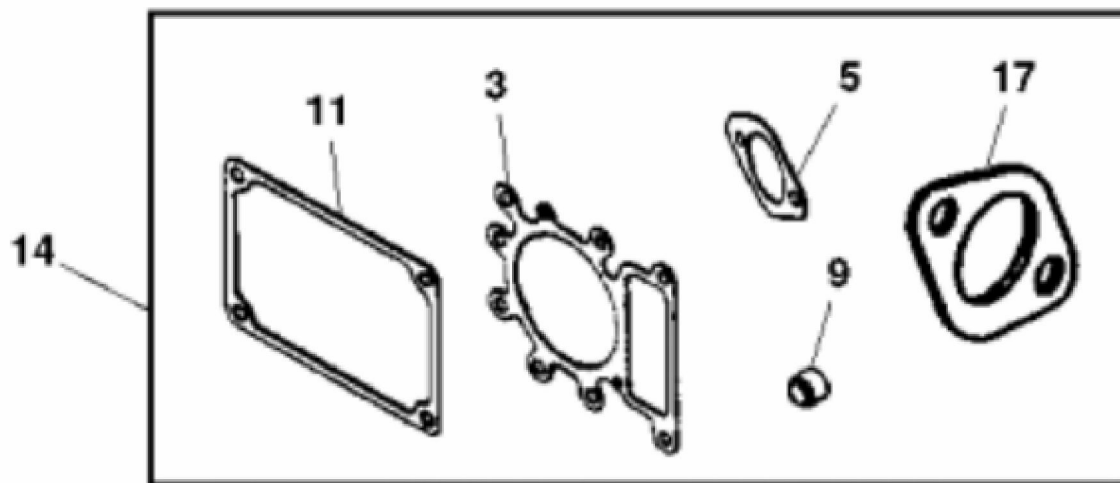
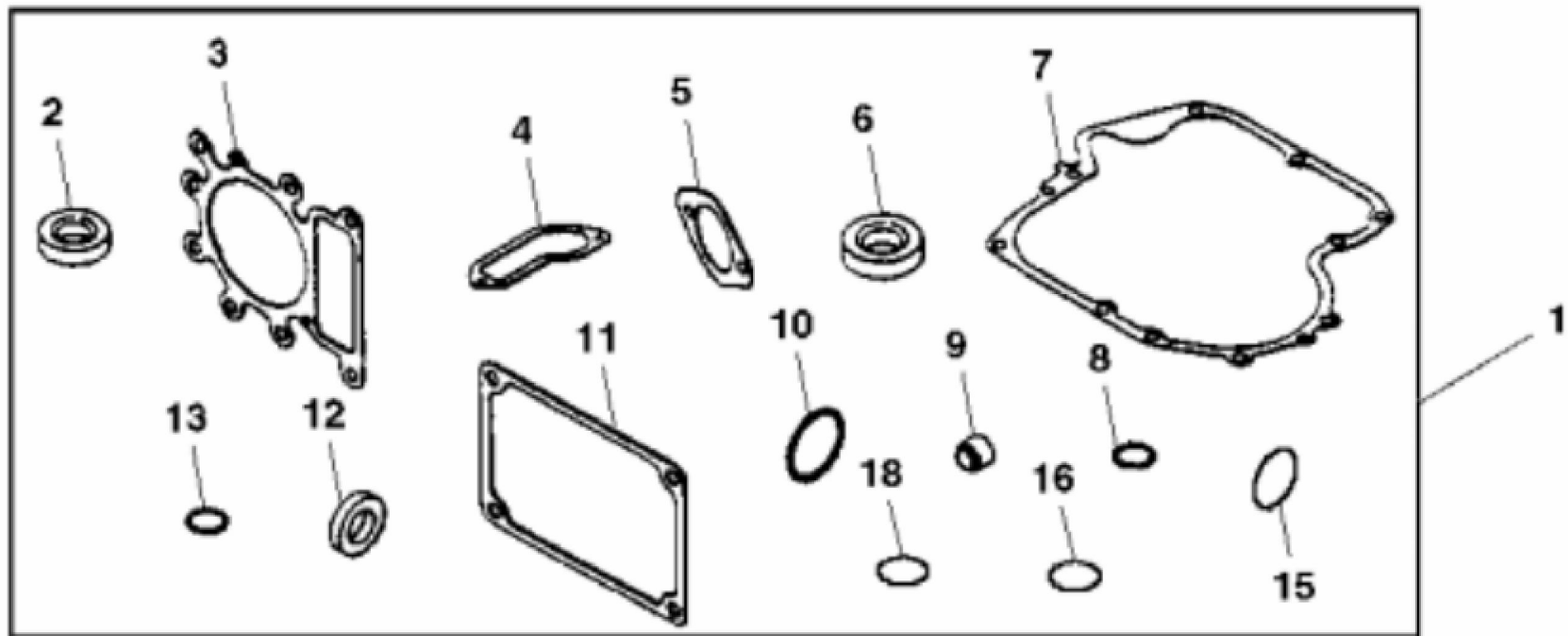


KEY	PART NO.	PART NAME	QTY	REMARKS
1	AM135145	DIPSTICK	1	
2	LG691031	O-RING	1	
3	LG691032	SEAL	1	
4	M152554	DIPSTICK TUBE	1	
5	AM135144	DIPSTICK TUBE	1	
6	MIU11051	SCREW	2	
7	MIA10624	CONNECTING ROD	1	
7	MIA11424	CONNECTING ROD	1	STD, (USE WITH MIA11630)
8	MIU11437	PLUG	1	SUB FOR M147515
9	MIU11436	LINK	2	(SUB FOR M152555)
10	M152556	PIN	1	
11	MIA10989	COUNTERWEIGHT	1	(SUB FOR AM132354)
12	AM135141	CAMSHAFT	1	(SUB FOR M150105 OR AM132350) (INCLUDES M148242)
12	MIA11377	CAMSHAFT	1	(USE WITH MIA11630)
13	LG690564	TAPPET	2	
14	M148242	SHAFT	1	(NLA) OIL PUMP, (SUB MIA11172)
15	M147512	GEAR	1	TIMING
16	LG691639	SHAFT KEY	1	
17	MIA11844	CRANKSHAFT	1	(SUB FOR AM132351)
18	LG222698S	SHAFT KEY	1	FLYWHEEL
19	M152553	LOCK	2	
20	AM135126	PISTON RING KIT	1	STD
20	MIA10691	PISTON RING KIT	1	STD, (USE WITH MIA11421)
20	MIU11639	PISTON RING KIT	1	(.020") OS, (USE WITH MIA11430)
21	AM135124	PISTON	1	STD
21	MIA11421	PISTON	1	STD, (USE WITH MIA11630)
21	MIA11430	PISTON	1	(.020") OS, (USE WITH MIA11630)
22	AM132347	PISTON PIN	1	
22	MIA11423	PISTON PIN	1	STD, (USE WITH MIA11630)

1



KEY	PART NO.	PART NAME	QTY	REMARKS
1	MIA11468	CYLINDER HEAD	1	(SUB FOR AM132971 OR MIA11079)
2	LG691843	CAP	2	
3	LG691279	SPRING	2	
4	LG499586	RETAINER	1	
5	MIA11214	EXHAUST VALVE	1	(SUB FOR AM134724 OR MIA10688)
6	LG690968	SEAL	1	
7	MIA10689	INTAKE VALVE	1	(SUB FOR M149939)
8	LG272475S	GASKET	1	
9	MIU11490	ENGINE CYLINDER HEAD GASKET	1	(SUB FOR M150400)
10	LG692138	O-RING	1	
11	LG690822	GUIDE	1	PUSH ROD
12	LG691095	STUD	2	
13	LG691751	ROCKER ARM	2	
14	LG691986	ADJUSTER	2	
15	M144311	GASKET	1	INTAKE
16	LG690564	TAPPET	2	
17	LG692003	PUSH ROD	1	INTAKE
17	LG692011	PUSH ROD	1	EXHAUST
18	MIU12708	COVER	1	(ROCKER ARM) (INCLUDES LG272475S) (SUB FOR MIU11055)
19	LG691108	SCREW	4	
19	37H74	SCREW	4	(USE WITH MIA11630)
20	LG690360	BOLT	8	
20	MIU14366	SCREW	8	USE WITH MIA11630; SUB FOR MIU11632
21	M152565	GUARD	1	FLYWHEEL, (USE WITH MIA11079)
22	MIU11713	SHIELD	1	CYLINDER
23	LG692236	GASKET	1	EXHAUST



Thank you so much for reading.
Please click the “Buy Now!”
button below to download the
complete manual.



After you pay.

You can download the most
perfect and complete manual in
the world immediately.

Our support email:

ebooklibonline@outlook.com