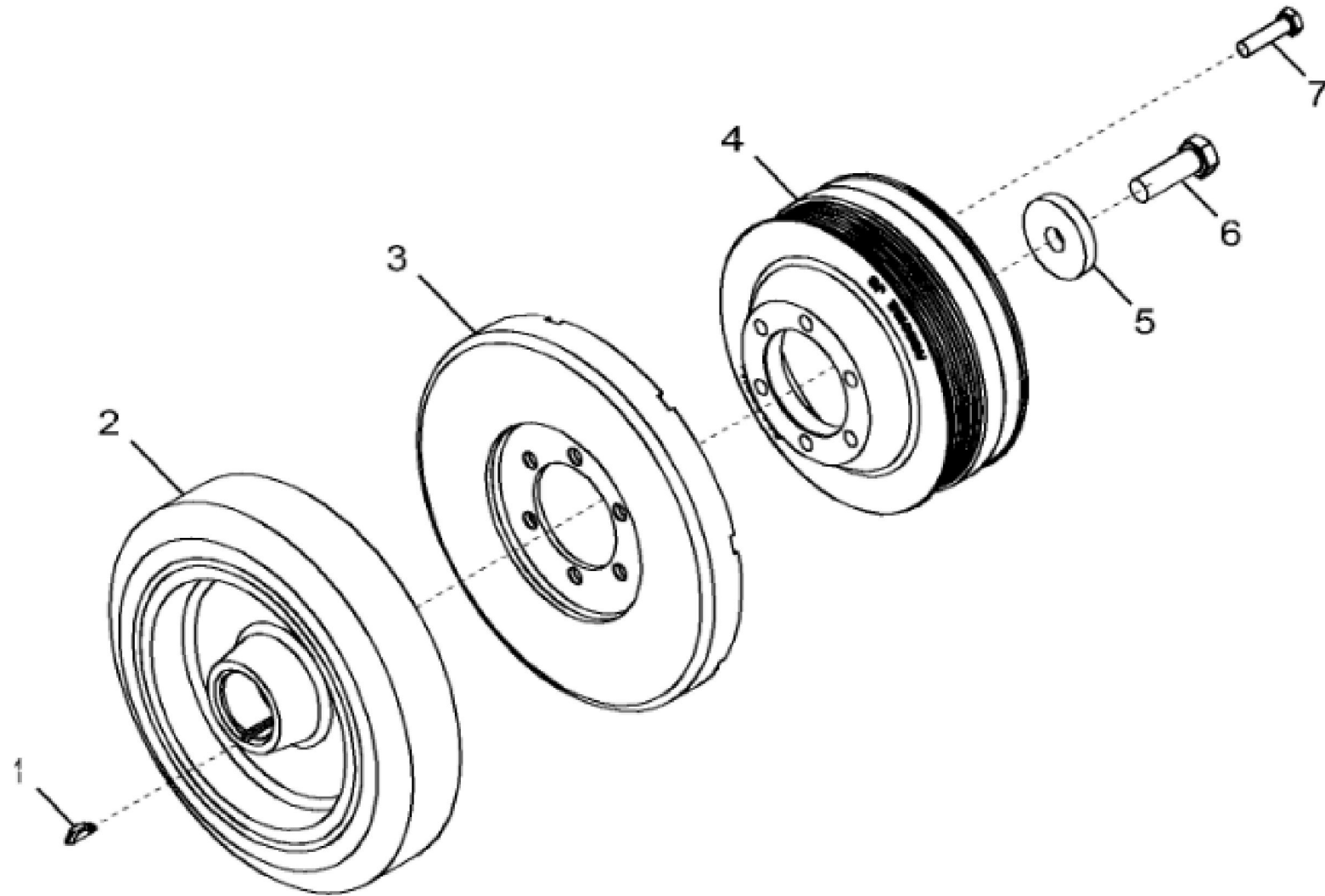


John Deere > Construction And Forestry > EXCAVATOR > 350DLC - EXCAVATOR > 350DLC Excavator (PIN: 1FF350DX_ _D805001-) > 04A ENGINE 6090HT002 - RE541427-RE541427 > 0400A ENGINE 6090HT002 - RE541427-RE541427 6090HT002 - RE541427 > ST30542 - 1106 ROCKER ARM COVER

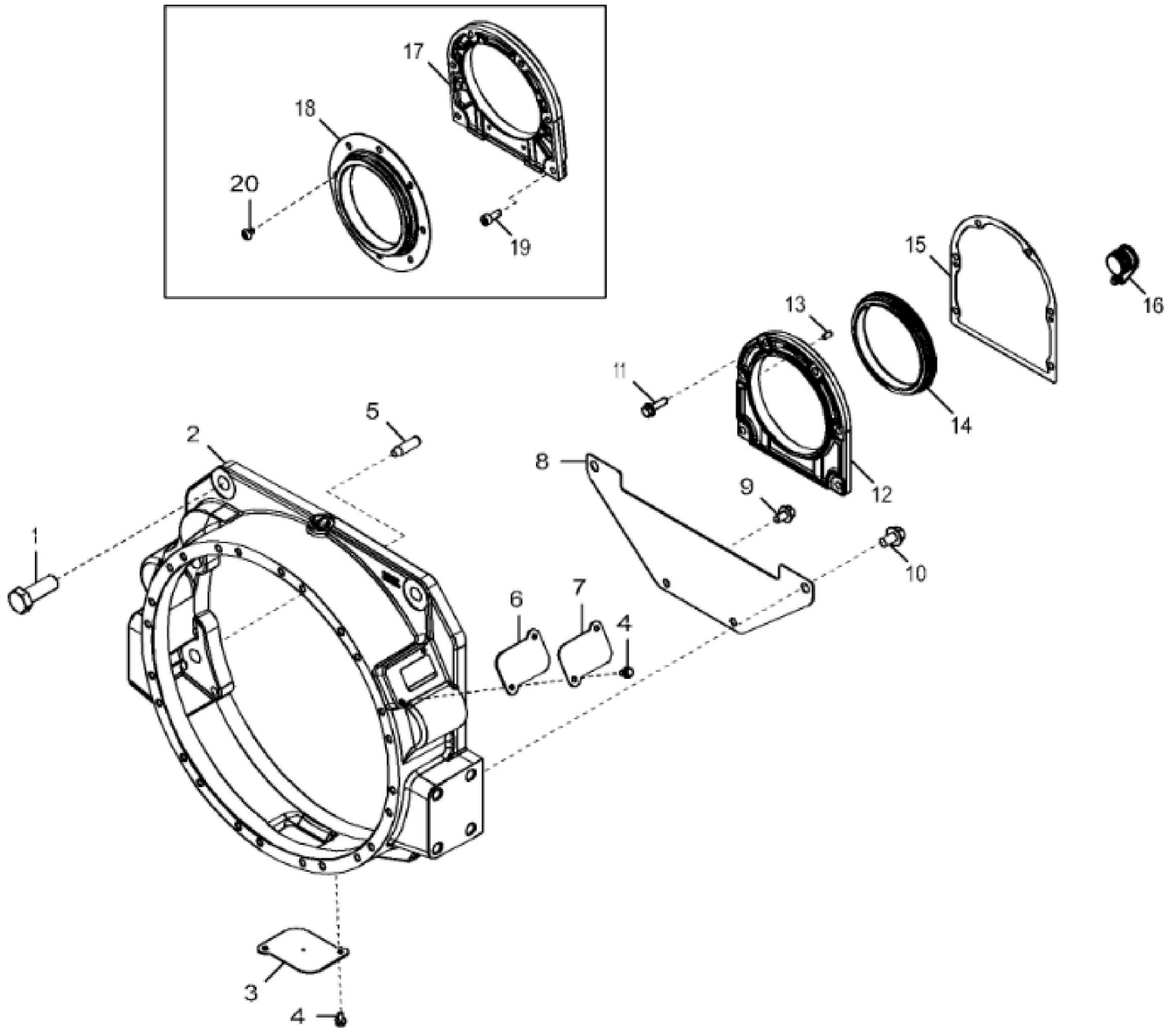
| KEY | PART NO. | PART NAME | QTY | REMARKS |
|-----|----------|---------------|-----|---|
| 1 | R527884 | GASKET | 1 | SUB FOR R518263 |
| 2 | RE536688 | COVER | 1 | MARKED R545611 OR R527342 OR RE536688; SUB FOR RE529971 |
| 3 | R523317 | BREATHER | 1 | |
| 4 | 19M7775 | SCREW | 2 | M6 X 16 |
| 5 | 19M7796 | SCREW | 1 | M6 X 30 |
| 6 | R522401 | O-RING | 1 | |
| 7 | RE528027 | FILLER CAP | 1 | |
| 8 | T122075 | O-RING | 1 | |
| 9 | RE529871 | ELBOW FITTING | 1 | SUB FOR RE527976 |
| 10 | R519533 | MEDALLION | 1 | |
| 11 | 19M8291 | SCREW | 15 | M8 X 35 |



1312_RE525492_PCD

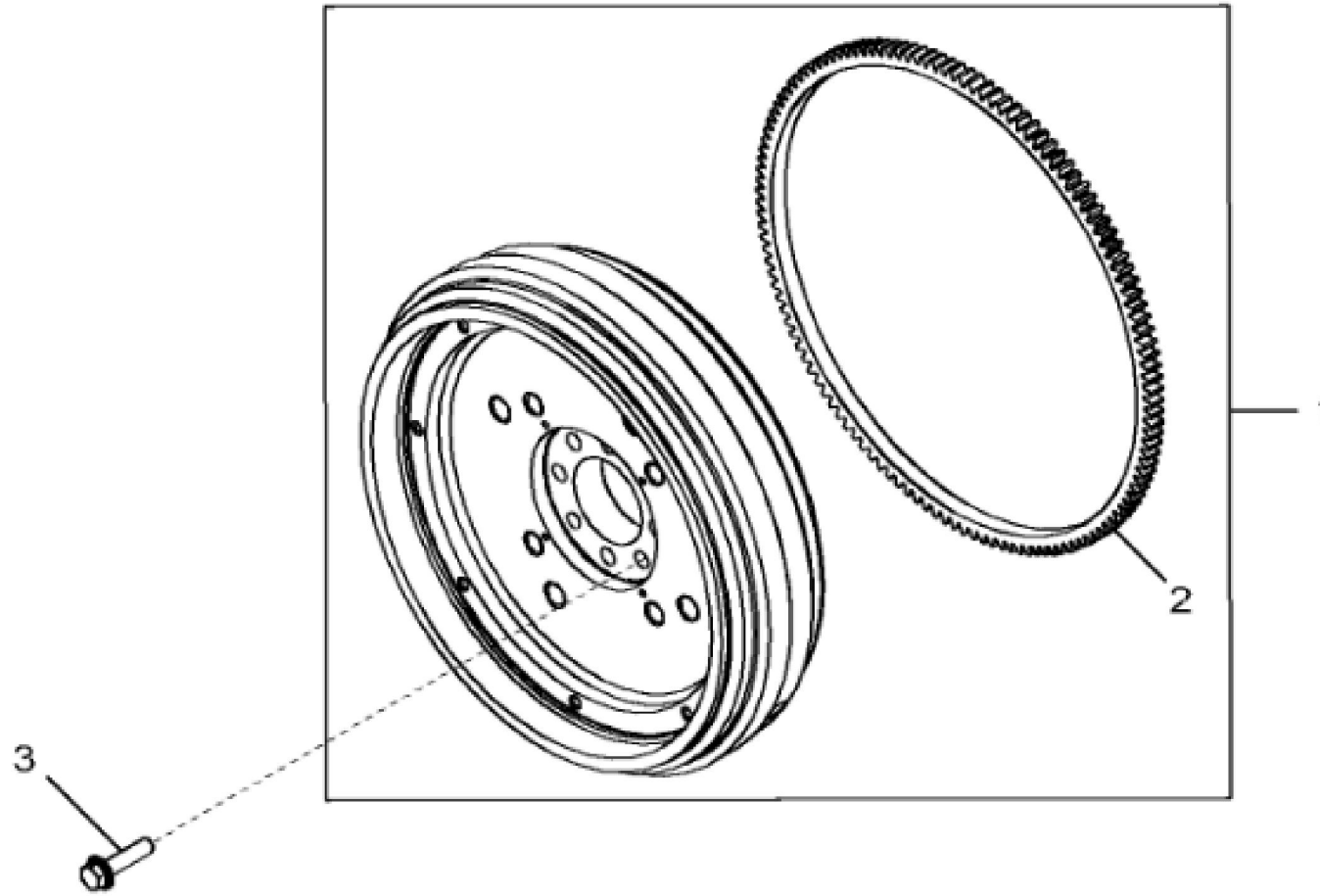
John Deere > Construction And Forestry > EXCAVATOR > 350DLC - EXCAVATOR > 350DLC Excavator (PIN: 1FF350DX_ _D805001-) > 04A ENGINE 6090HT002 - RE541427-RE541427 > 0400A ENGINE 6090HT002 - RE541427-RE541427 6090HT002 - RE541427 > ST74603 - 1312 CRANKSHAFT PULLEY AND DAMPER

| KEY | PART NO. | PART NAME | QTY | REMARKS | |
|-----|----------|------------------|-----|---------------------------|--|
| 1 | R116311 | KEY | 1 | ORDER R523306 | |
| 1 | R523306 | KEY | 1 | | |
| 2 | RE520465 | TORSIONAL DAMPER | 1 | | |
| 3 | RE57604 | TORSIONAL DAMPER | 1 | | |
| 4 | R520445 | PULLEY | 1 | MARKED R520182 OR R520445 | |
| 5 | R26333 | WASHER | 1 | | |
| 6 | 19M8889 | CAP SCREW | 1 | M16 X 50 | |
| 7 | 19M8637 | CAP SCREW | 6 | M10 X 40 | |



John Deere > Construction And Forestry > EXCAVATOR > 350DLC - EXCAVATOR > 350DLC Excavator (PIN: 1FF350DX_ _D805001-) > 04A ENGINE 6090HT002 - RE541427-RE541427 > 0400A ENGINE 6090HT002 - RE541427-RE541427 6090HT002 - RE541427 > ST702692 - 1405 FLYWHEEL HOUSING

| KEY | PART NO. | PART NAME | QTY | REMARKS |
|-----|----------|-----------|-----|---|
| 1 | 19M8002 | CAP SCREW | 6 | M20 X 55 |
| 2 | R519256 | HOUSING | 1 | |
| 3 | R89195 | PLATE | 1 | |
| 4 | 19M7774 | SCREW | 4 | M6 X 12 |
| 5 | H79910 | DOWEL PIN | 2 | |
| 6 | R67989 | GASKET | 1 | |
| 7 | R519255 | COVER | 1 | |
| 8 | R519506 | COVER | 1 | |
| 9 | 19M7783 | SCREW | 2 | M10 X 16 |
| 10 | 19M7787 | SCREW | 2 | M12 X 20 |
| 11 | 19M7868 | SCREW | 6 | M8 X 30 |
| 12 | R531312 | HOUSING | 1 | USE WITH RE520036; SUB FOR R531570, R530233 AND R518551 |
| 13 | F1743R | DOWEL PIN | 2 | |
| 14 | RE520036 | SEAL | 1 | USE WITH R531312 OR R531570; SUB FOR RE530121 |
| 15 | R522768 | GASKET | 1 | |
| 16 | R121929 | PLUG | 1 | |
| 17 | R518551 | HOUSING | 1 | ORDER R531312; USE WITH RE530121 |
| 18 | RE530121 | SEAL | 1 | ORDER RE520036; USE WITH R518551 AND R522160 |
| 19 | 19M8446 | SCREW | 6 | M8 X 20 |
| 20 | R522160 | SCREW | 8 | USE WITH RE530121 |



1543_RE525493_PCD

Thank you so much for reading.
Please click the “Buy Now!”
button below to download the
complete manual.



After you pay.

You can download the most
perfect and complete manual in
the world immediately.

Our support email:

ebooklibonline@outlook.com