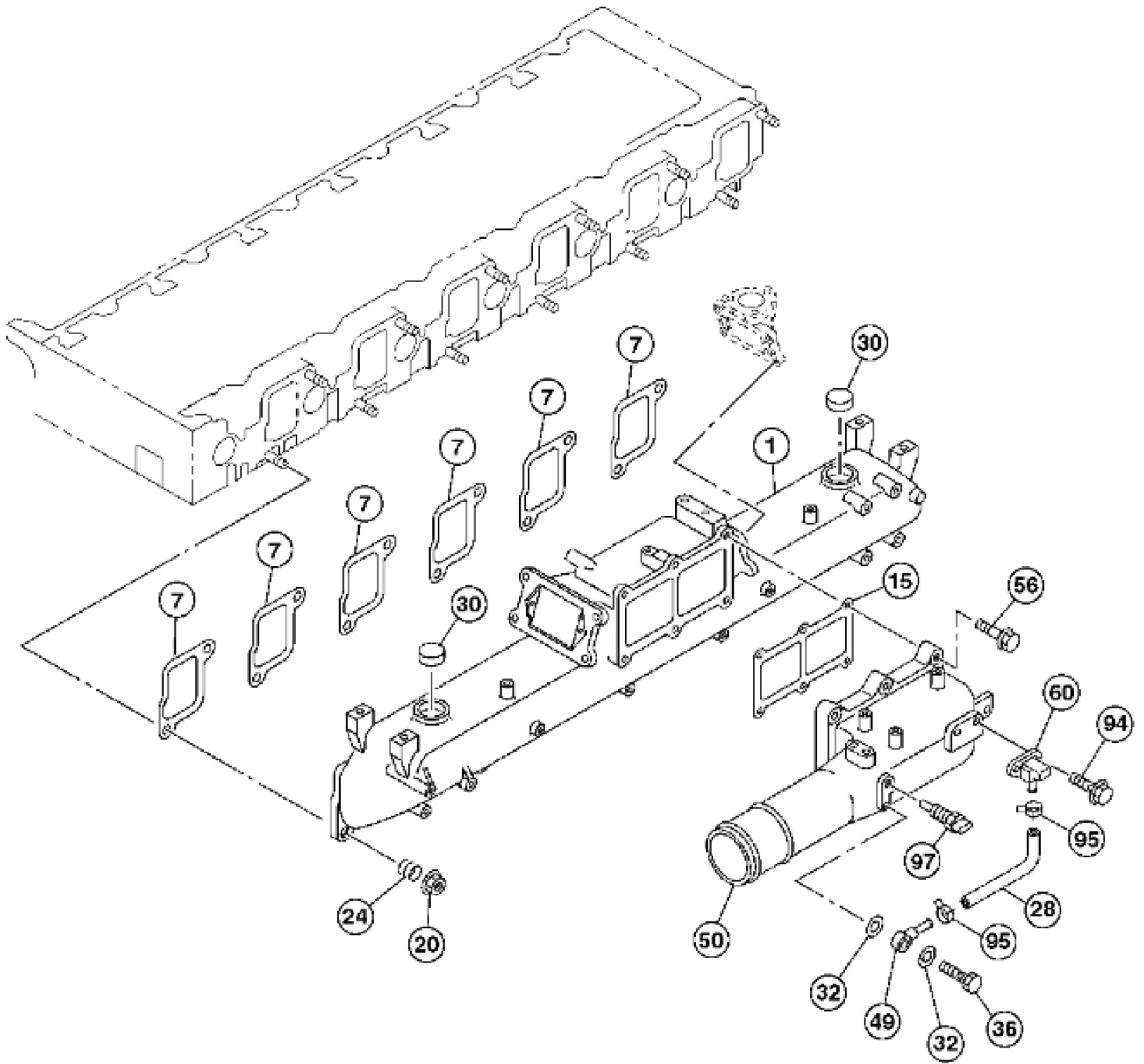


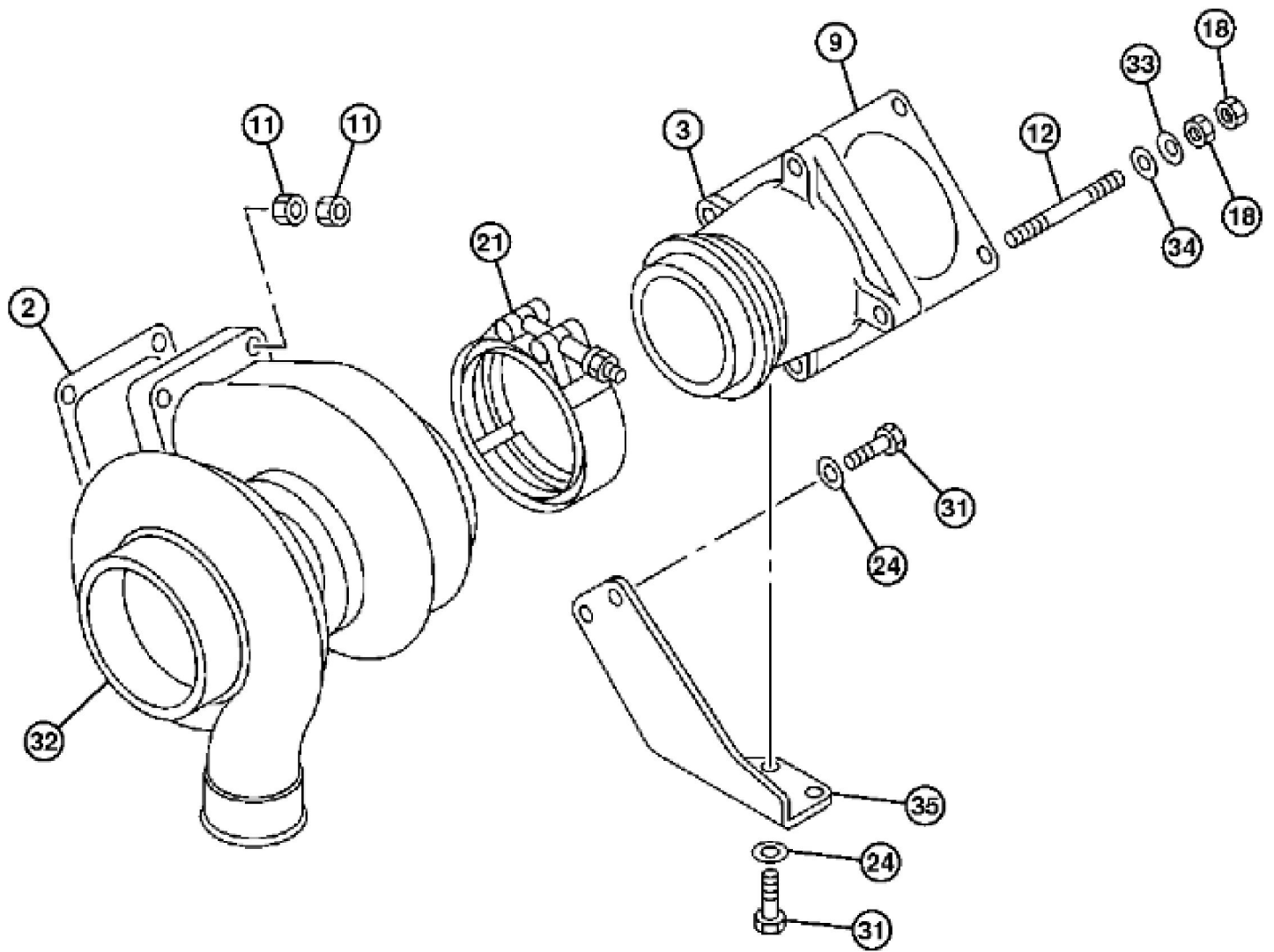
TX1164784

KEY	PART NO.	PART NAME	QTY	REMARKS
1	8976034144	FUEL INJECTION PUMP	1	SUB FOR 4720739, 8976034140, 8976034141, 8976034142 OR 8976034143
1	FUEL INJECTION PUMP REMAN	1	SE502080 NLA, REMAN FOR 8976034144
5	8972249930	SENSOR	1	Fuel Temperature
6	5157590030	EYEBOLT	1	
9	1156195070	GASKET	2	
24	1156195000	PLUG	1	
25	1156195020	GASKET	1	
64	1156194960	VALVE	1	Overflow
65	9881300880	EYEBOLT	1	
66	1156194970	EYEBOLT	1	
67	1156195010	GASKET	2	
68	1156195080	GASKET	2	
69	1156195040	GASKET	2	
74	5157590030	EYEBOLT	1	
75	1156195070	GASKET	2	
76	1156195090	EYEBOLT	1	Includes Screen
77	1156195070	GASKET	2	
78	8981818910	SENSOR	1	Cam Sensor



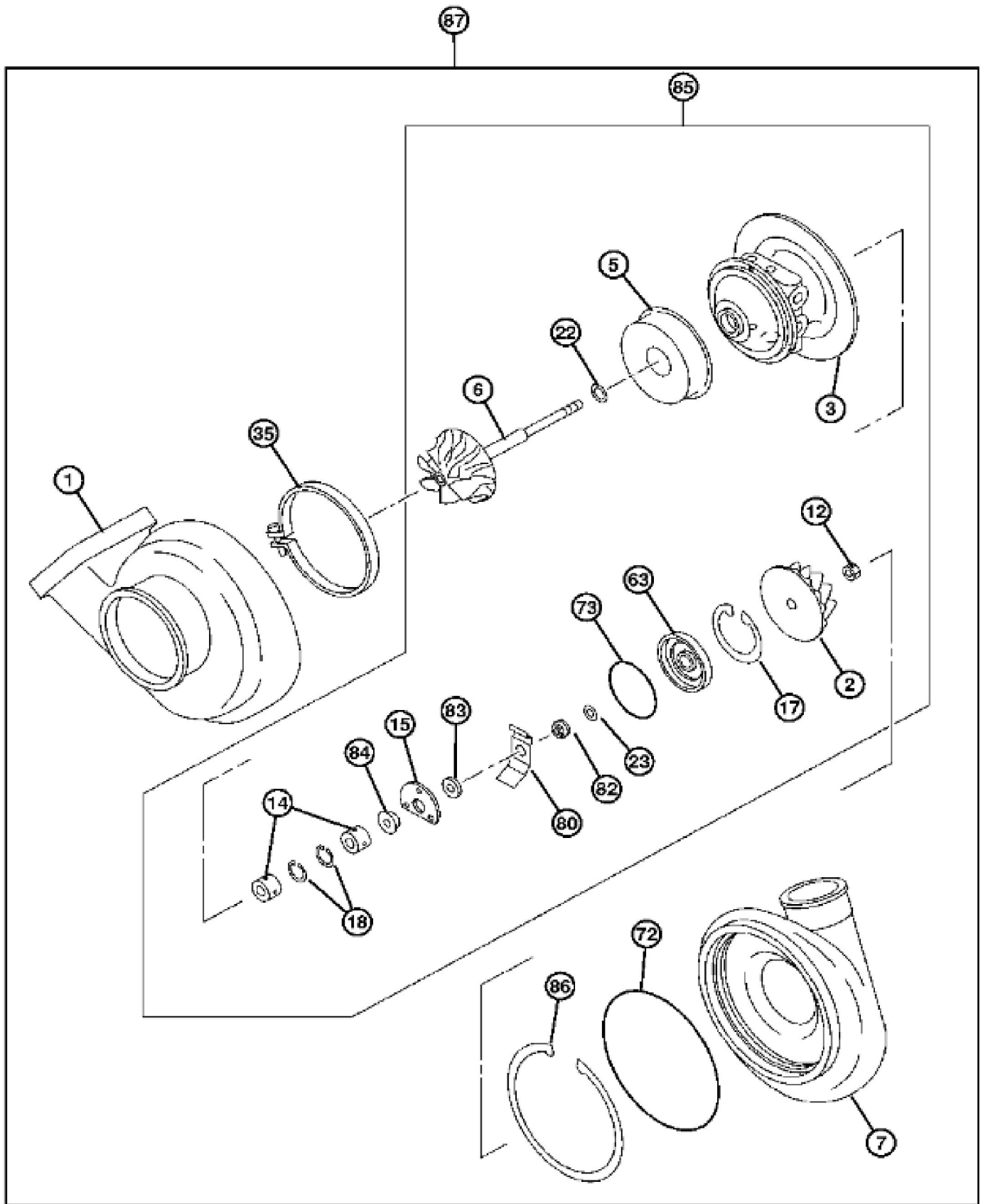
T216366

KEY	PART NO.	PART NAME	QTY	REMARKS
1	8981672100	MANIFOLD	1	SUB FOR 1141106200, 1141127791 AND 1141106121
7	1141150961	GASKET	6	SUB FOR 8976075981
15	1141150941	GASKET	1	
20	0911802100	NUT	12	SUB FOR 0911501100, 4408178, 8944698430, AT259946, 0911502100, 0911802100, TH4447336 AND 4447336
24	1095801560	SPRING	12	
28	1141194160	ISOLATOR	1	
30	8942416370	PLUG	2	
32	1096300820	GASKET	2	
36	8972578260	EYEBOLT	1	SUB FOR 1096752060
49	8944288070	PIPE	1	
50	8980303481	PIPE	1	SUB FOR 1141127811, 1141127810, OR 8980303480
56	0281810300	BOLT	6	
60	1802200140	SENSOR	1	Boost
94	0280506120	BOLT	2	SUB FOR 0280806120
95	R56101	CLIP	2	SUB FOR 5097070051, AT261421 OR 1097070870
97	8121468300	SENSOR	1	Intake Air Temperature



T216562

KEY	PART NO.	PART NAME	QTY	REMARKS
2	8980188550	GASKET	1	
3	1141446323	PIPE	1	
9	1141451750	GASKET	1	
11	1094200050	NUT	8	
12	9098330970	STUD	4	
18	1094000720	NUT	8	
21	8980598900	BAND	1	See Separate Page For Detail, SUB FOR 1097090941
24	1095000070	WASHER	4	
31	1090200732	BOLT	4	
32	8981921861	TURBOCHARGER	1	See Separate Page For Detail, SUB FOR 1144004441, 1144004440 OR 4720737
32	TURBOCHARGER REMAN	1	SE502085 NLA, REMAN FOR 8981921861
33	1095560200	WASHER	4	
34	0916147120	WASHER	4	SUB FOR 9091646120 OR 9091647120
35	1141492650	BRACKET	1	



T216659

Thank you so much for reading.
Please click the “Buy Now!”
button below to download the
complete manual.



After you pay.

You can download the most
perfect and complete manual in
the world immediately.

Our support email:

ebooklibonline@outlook.com