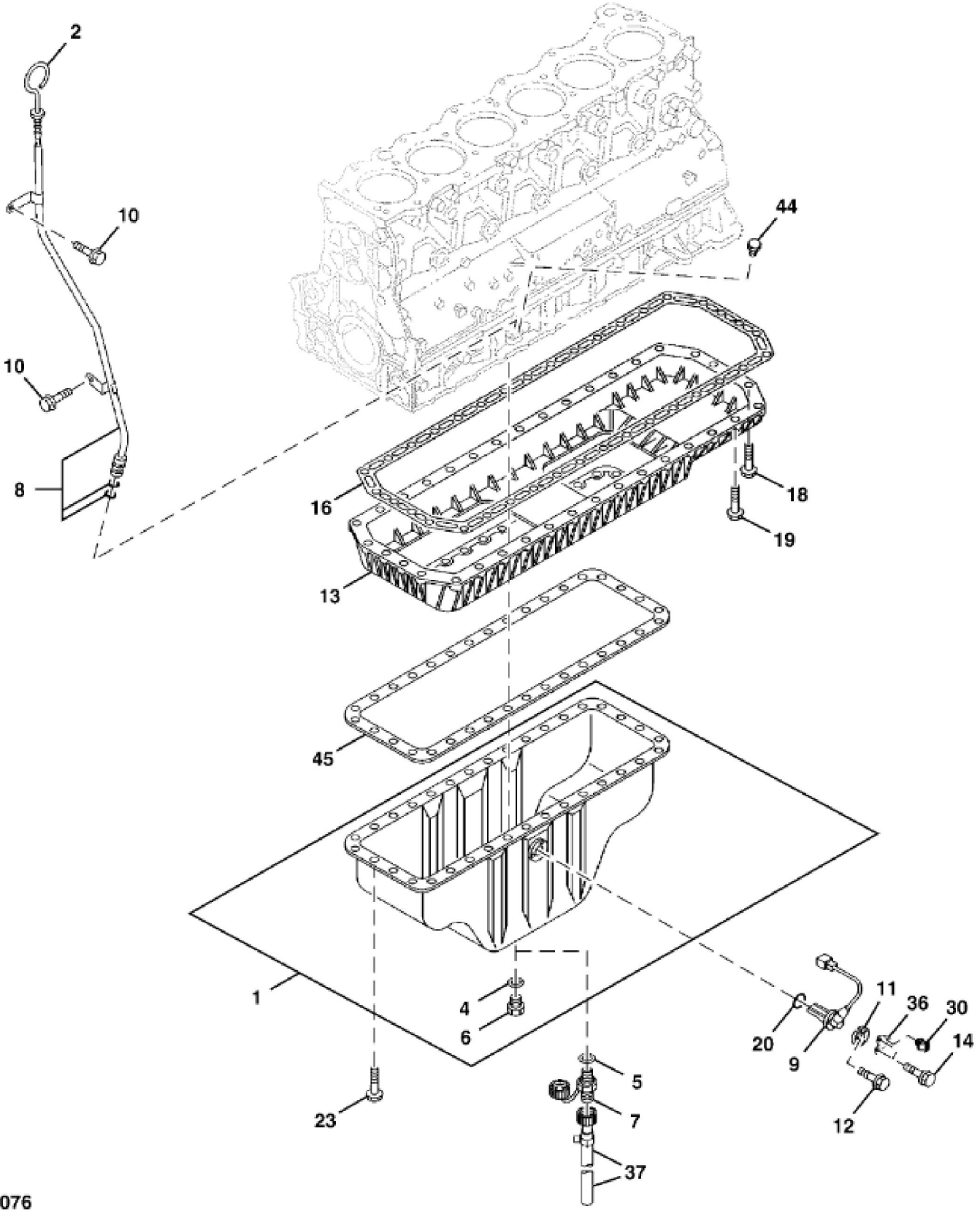


T215965

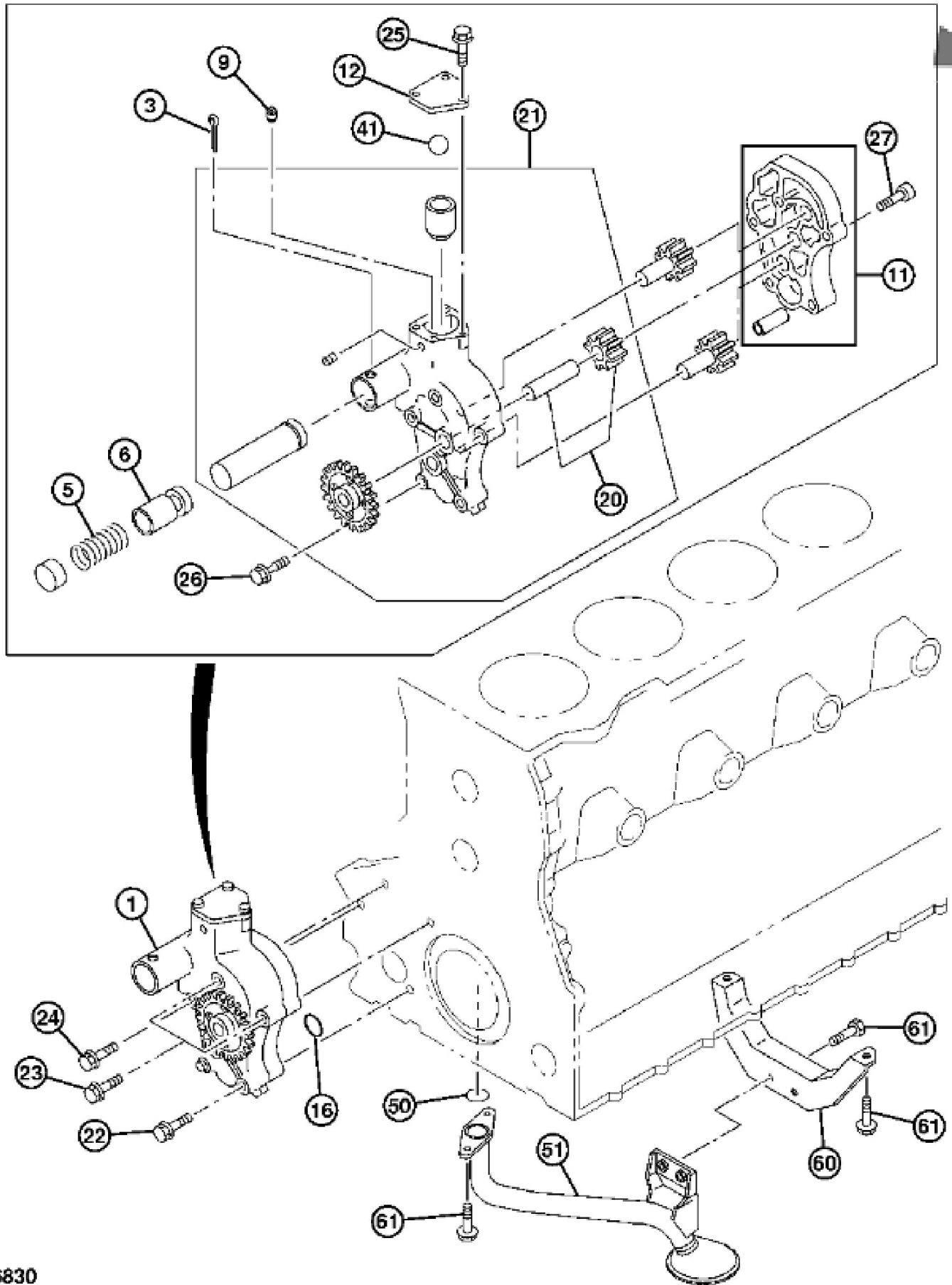
KEY	PART NO.	PART NAME	QTY	REMARKS
1	1112106914	CYLINDER BLOCK	1	SUB FOR 1112106912 OR 1112106913
2	1878128601	CYLINDER LINER	6	Grade 3X, SUB FOR 1878128600
2	1878133914	CYLINDER KIT	6	Grade 1X, SUB FOR 1878133913 OR 1878128590
4	1112613792	CYLINDER LINER	1	
4	1112613802	CYLINDER LINER	1	Grade 3X
11	1090701510	BOLT	14	
12	1090700873	BOLT	28	SUB FOR 1090700872
17	1096301410	GASKET	1	
18	1096300830	GASKET	1	
19	1096300840	GASKET	1	
20	1096300890	GASKET	1	
21	1097400681	DOWEL PIN	2	
25	1096301410	GASKET	1	
26	30H7	PLUG	1	5/8", SUB FOR 5111290030
30	9081510180	DOWEL PIN	3	
31	1097490251	DOWEL PIN	2	
32	8943255061	DOWEL PIN	2	
33	9081605100	PIN FASTENER	2	
34	1131600303	PRESSURE RELIEF VALVE	1	SUB FOR 1131600302
35	1096232970	GASKET	1	
36	8970365501	BEARING CUP	4	SUB FOR 8973514510
37	1096000160	PLUG	1	
38	9081510180	DOWEL PIN	2	
39	8942416370	PLUG	13	
40	1096000651	PLUG	2	
46	1133490140	BOLT	6	
47	1096040350	PLUG	1	
48	1096040940	PLUG	1	
49	1096040950	PLUG	1	
50	9992023140	PIPE PLUG	1	
56	1133421392	ORIFICE	6	SUB FOR 1133421391 AND 1133421390
63	8981167681	PISTON	1	SUB FOR 1121120010 OR 8981167680
68	1121211540	PISTON RING	1	Set Of Four
69	1122110291	PIN FASTENER	1	
70	1096000122	PLUG	1	

KEY	PART NO.	PART NAME	QTY	REMARKS	
71	1096000160	PLUG	4		
76	1095870820	SNAP RING	12		
83	9081514280	PIN FASTENER	2		
95	8980274560	SENSOR	1	Oil, SUB FOR 8976004340	



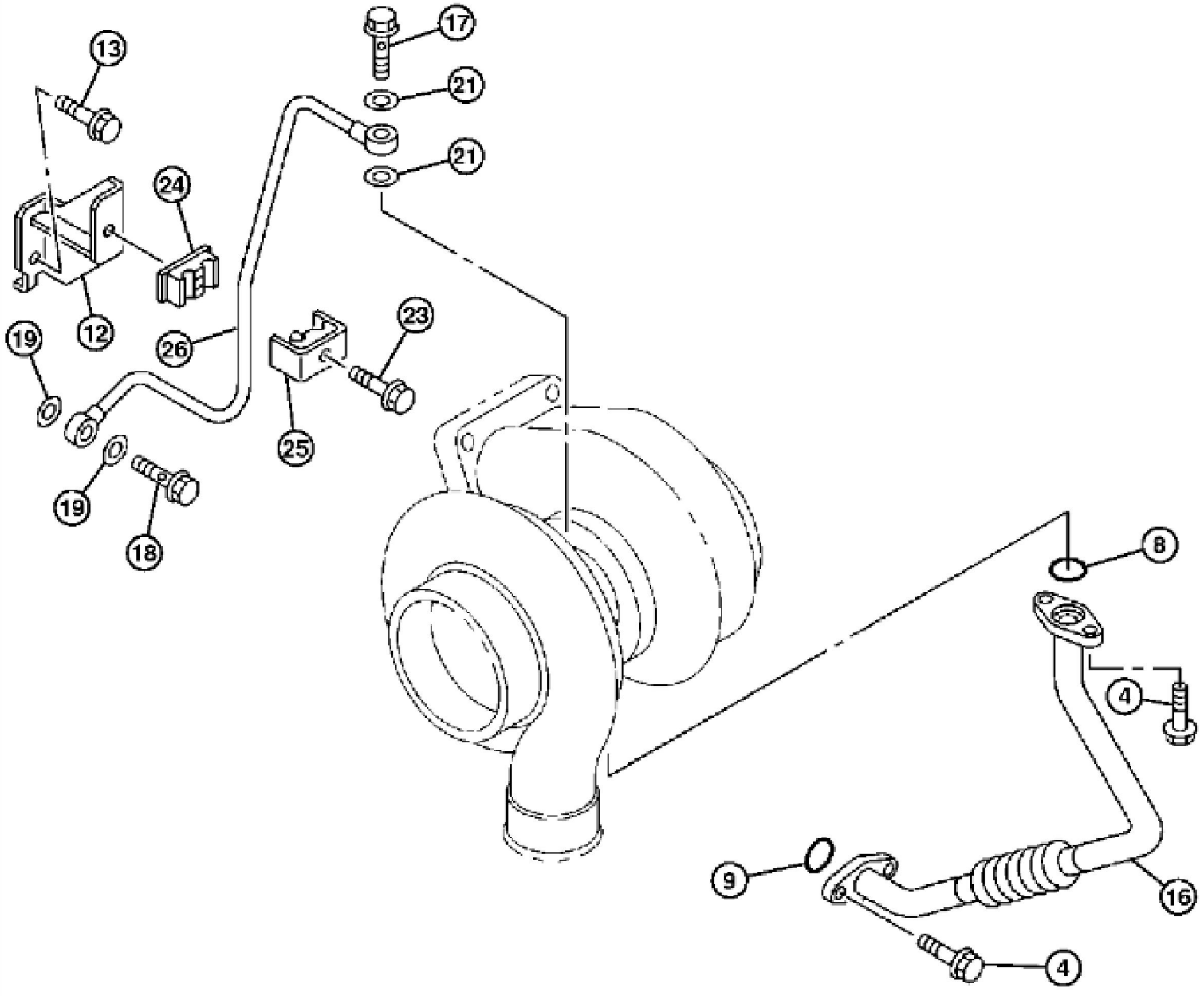
TX1159076

KEY	PART NO.	PART NAME	QTY	REMARKS
1	1113609170	OIL PAN	1	
2	1117604461	LEVEL GAUGE	1	SUB FOR 1117604460
4	1096231790	O-RING	1	SUB FOR 1096230580
5	9095714240	GASKET	1	
6	1096040220	PIPE PLUG	1	SUB FOR 1096040641 OR 1096040640
7	8981442470	PLUG	1	SUB FOR 1096801052, 1096801050, 1096801051 OR 1096801060
8	1117666091	OIL TUBE	1	SUB FOR 1117666090
9	8971312230	SENSOR	1	Oil Level
10	4447337	BOLT	2	SUB FOR 0281810200 OR TH4447337
11	5113690720	SPACER	1	
12	1099805430	BOLT	1	SUB FOR 0501406280
13	1113608982	SPACER	1	NLA, ORDER 8980900130
13	8980900130	SPACER	1	ALSO ORDER 8980630320
14	0501406300	BOLT	2	
16	1113671300	GASKET	1	Between Engine Block and Spacer, NLA, ORDER 8980630320, USE WITH 1113608982
16	8980630320	GASKET	1	Between Engine Block and Spacer, USE WITH 8980900130
18	0281810500	BOLT	4	
19	0287810350	BOLT	28	
20	8976049160	GASKET	1	SUB FOR 1096233550
23	SCREW WITH WASHER	34	0501408250 NLA
23	19M7163	CAP SCREW	34	M8 X 25
23	WASHER	34	12M7065 NLA
23	24M7036	WASHER	34	9 X 16 X 1.600 mm
30	1097091780	CLIP	1	
36	1154197290	BRACKET	1	
37	8982534070	HOSE	1	SUB FOR 8973880231 OR 8973880230
44	1096040980	PLUG	1	
45	1113671310	GASKET	1	Between Oil Pan and Spacer, SUB FOR 1113671210



T216830

KEY	PART NO.	PART NAME	QTY	REMARKS
1	8982769880	PUMP	1	ALSO ORDER (2) 8943973591 (2) 0281510600 AND 8982602600, SUB FOR 1131002751, 1131003121 AND 1131003122
1	8943973591	BOLT	2	
1	0281510600	BOLT	2	
1	8982602600	STRAINER	1	
3	COTTER PIN	1	9081140600 NLA
5	1095805340	SPRING	1	
6	PRESSURE RELIEF VALVE	1	1131610240 NLA
9	1131630020	PLUG	1	
11	COVER	1	1131130680 NLA
12	1131630040	COVER	1	
16	1096235290	SEAL	1	
20	GEAR	1	Use Until Exhausted, 1131200800
21	1131200891	GEAR	1	SUB FOR 1131200890
22	8943973591	BOLT	1	
23	8943994881	BOLT	2	
24	9059210800	BOLT	1	
25	0280808180	BOLT	3	
26	19M7742	CAP SCREW	1	M10 X 65, SUB FOR 0281810600 OR 0168060650
27	0583308350	BOLT	2	SUB FOR 0583108350
41	BALL	1	1131610210 NLA
50	1096235290	SEAL	1	
51	1133138853	STRAINER	1	SUB FOR 1133138852
60	1133451801	BRACKET	1	
61	4447337	BOLT	6	SUB FOR 0281810200 OR TH4447337



T216849

Thank you so much for reading.
Please click the “Buy Now!”
button below to download the
complete manual.



After you pay.

You can download the most
perfect and complete manual in
the world immediately.

Our support email:

ebooklibonline@outlook.com