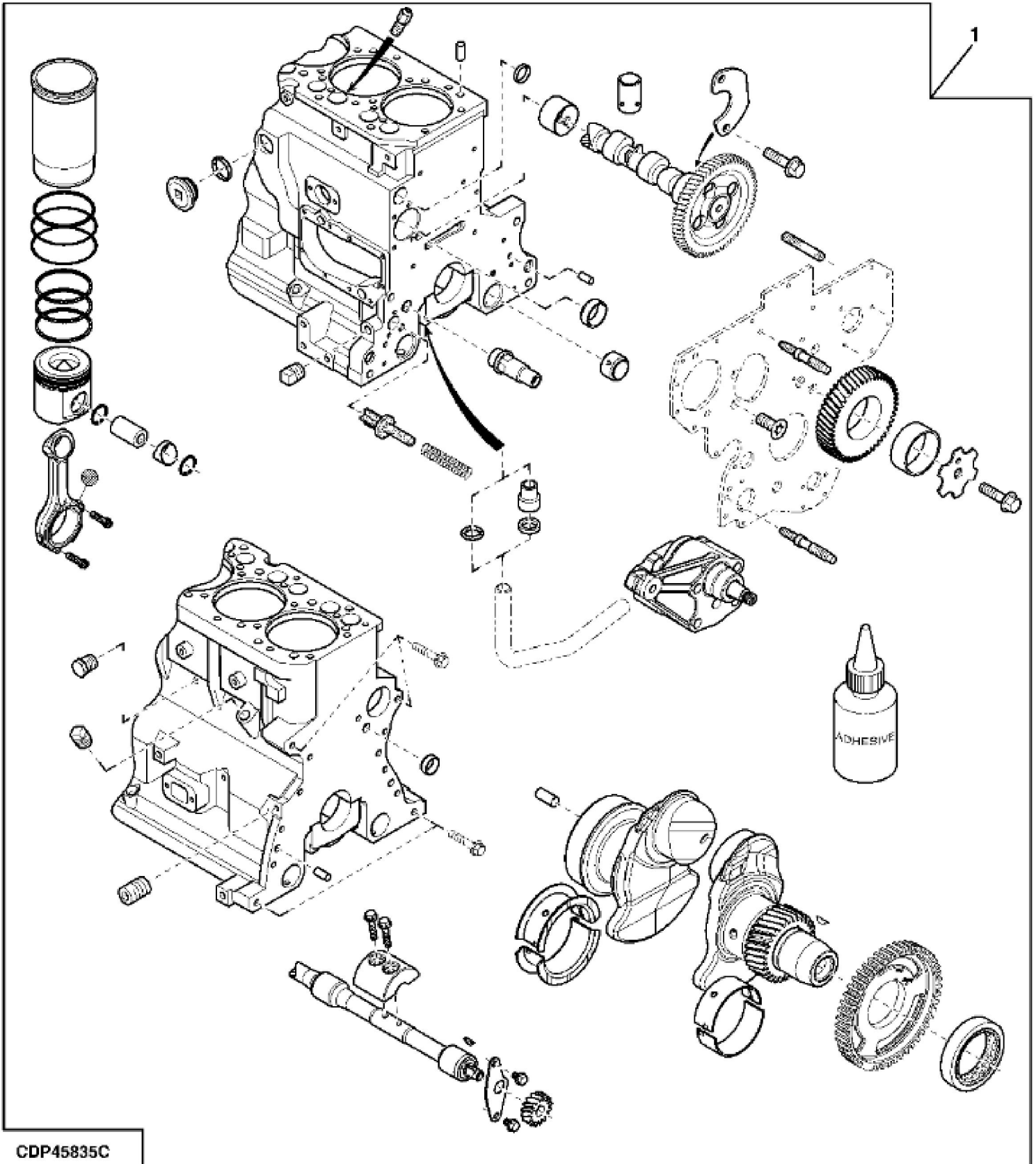


CYLINDER BLOCK WITH LINERS AND CAMSHAFT

| KEY | PART NO. | PART NAME | QTY | REMARKS |
|-----|----------|----------------|-----|------------------------------------|
| 1 | | CYLINDER BLOCK | 1 | (MARKED R504849) (ORDER RE520378) |
| 2 | RE63674 | VALVE | 1 | KIT |
| 3 | 15H695 | PIPE PLUG | 1 | 3/8" |
| 4 | RE508185 | FITTING | 2 | 1-5/8"-12UN |
| 5 | U13639 | O-RING | 2 | |
| 6 | RE46685 | FITTING PLUG | AR | M18 X 1.5 |
| 7 | 51M7043 | O-RING | 1 | 15.300 X 2.200 mm |
| 8 | R123616 | PLUG | AR | 1-5/8"-12UN X M18 X 1.5 |
| 9 | R131182 | ORIFICE | 4 | |
| 10 | RE507595 | CAMSHAFT | 1 | (MARKED R504534) |
| 10 | SE501815 | CAMSHAFT REMAN | 1 | (REMAN FOR RE507595) |
| 11 | R132518 | PLATE | 1 | |
| 12 | 19M8999 | SCREW | 2 | M8 X 25 |
| 13 | R48685 | DOWEL PIN | 4 | |
| 14 | R116466 | PLUG | 1 | |
| 15 | R119874 | BUSHING | 1 | (ALSO ORDER TY6333) |
| 16 | T18891 | PLUG | 2 | OD= 16 MM |
| 17 | R26650 | DOWEL PIN | 2 | |
| 18 | R115299 | BUSHING | 6 | |
| 19 | T20168 | WASHER | 10 | |
| 20 | T23474 | CAP SCREW | 10 | |
| 21 | R97185 | O-RING | 1 | |
| 22 | R115390 | BUSHING | 1 | (USE WITH R75892) |
| 23 | R75892 | O-RING | 1 | (USE WITH R115390) |
| 24 | RE71255 | PIPE PLUG | 5 | (SUB FOR R104592) |
| 25 | 15H584 | PIPE PLUG | 1 | 1/2" |
| 26 | RE507807 | PIPE PLUG | AR | (THREADS WITH PRE-APPLIED SEALANT) |
| 27 | AT13740 | DRAIN VALVE | 1 | 1/4"-18NPT |
| 28 | RE505501 | BLEED VALVE | 1 | |



CDP45835C

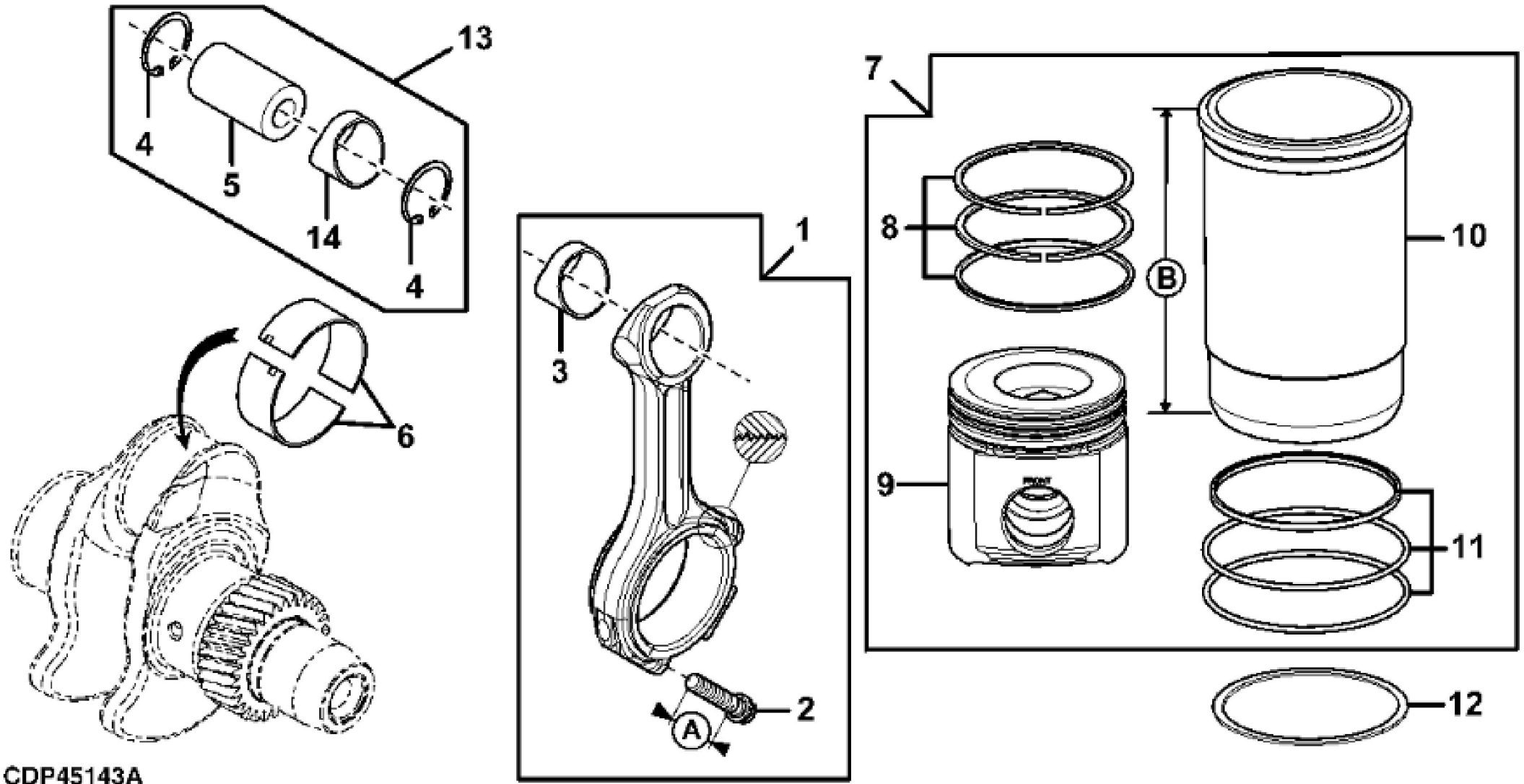
John Deere > Construction And Forestry >CRAWLER LOADER >605C - CRAWLER LOADER >605C Crawler Loader >04 ENGINE 4045TF278 >0400 ENGINE 4045TF278 4045TF278 >ST35289 - 4614 SHORT BLOCK ASSEMBLY

| KEY | PART NO. | PART NAME | QTY | REMARKS | |
|-----|----------|---------------------------|-----|-----------------------------------|--|
| 1 | RE520378 | SHORT BLOCK ASSEMBLY | 1 | (ALSO ORDER RE527042 AND DD15664) | |
| 1 | SE501073 | COMPLETE BLOCK ASSY REMAN | 1 | BASIC DIESEL ENGINE | |

CRANKSHAFT AND BEARINGS

| KEY | PART NO. | PART NAME | QTY | REMARKS |
|-----|----------|------------------|-----|--|
| 1 | RE538097 | SEAL | 1 | (SUB FOR RE516340) |
| 2 | R120631 | GEAR | 1 | Z= 30 |
| 3 | RE506195 | CRANKSHAFT | 1 | ASSY,, (ALSO ORDER RE538097 AND RE44574) (INCLUDES R120631, R505609 AND R48685) |
| 3 | SE501656 | CRANKSHAFT REMAN | 1 | (With Bearings) (Reman For RE506195) |
| 4 | R505609 | SHAFT KEY | 1 | |
| 5 | R48685 | DOWEL PIN | 1 | |
| 6 | RE44574 | SEAL | 1 | |
| 7 | RE65165 | BEARING KIT | 4 | (STD), (KIT R123561 AND R123562) |
| 7 | RE65911 | BEARING | AR | (GRINDING GUIDELINES : SEE CTM104) US -0.254 MM, (KIT R130576 AND R130577) |
| 8 | RE65168 | BEARING KIT | 1 | (STD), (KIT R123563 AND R123564) |
| 8 | RE65912 | THRUST BEARING | AR | (GRINDING GUIDELINES : SEE CTM104) US -0.254 MM, (KIT R130574 AND R130575) |
| 9 | R517471 | WHEEL | 1 | |

CONNECTING ROD AND PISTON-CYLINDER LINER KIT



CDP45143A

Thank you so much for reading.
Please click the “Buy Now!”
button below to download the
complete manual.



After you pay.

You can download the most
perfect and complete manual in
the world immediately.

Our support email:

ebooklibonline@outlook.com