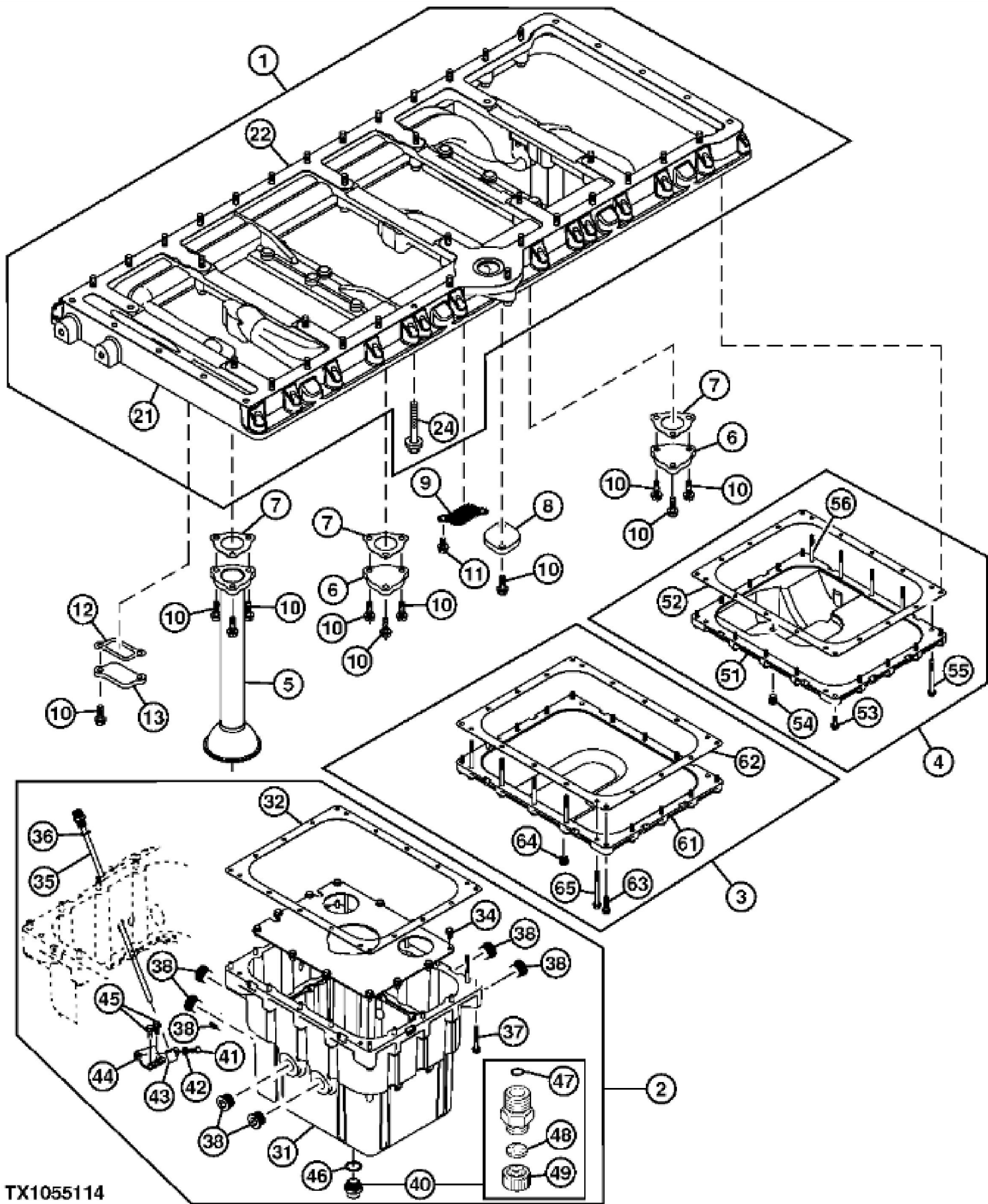


John Deere > Construction And Forestry >DOZER, CRAWLER >950J - DOZER, CRAWLER >950J Crawler Dozer (Worldwide Edition) >04 ENGINE >0404 CYLINDER BLOCK >ST22274 - ENGINE CYLINDER BLOCK AND MAIN BEARING CAPS

KEY	PART NO.	PART NAME	QTY	REMARKS
1	LW10115778	SHORT BLOCK ASSEMBLY	1	SUB FOR LW9073749
2	AT276882	PLUG	5	
3	AT274036	PLUG	12	
4	AT314883	SELF-LOCKING SCREW	2	
5	LW7382203	PIPE PLUG	6	
6	AT266609	PLUG	2	
7	PMH3085	FITTING	2	SUB FOR AT274552 AND LW7362698
7	PMH3831	FITTING	1	
9	LW9074798	PIN FASTENER	12	
16	LW10011832	VALVE	1	
17	AT279935	SEALING RING	1	
20	LW9073745	BUSHING	7	
25	AT275334	BOLT	14	
26	AT275341	SPACER	14	
31	LW10147409	COVER	1	SUB FOR LW10147269, LW9078880 AND LW9076564
32	LW7381361	O-RING	2	
36	19M9448	SCREW	2	M10 X 20

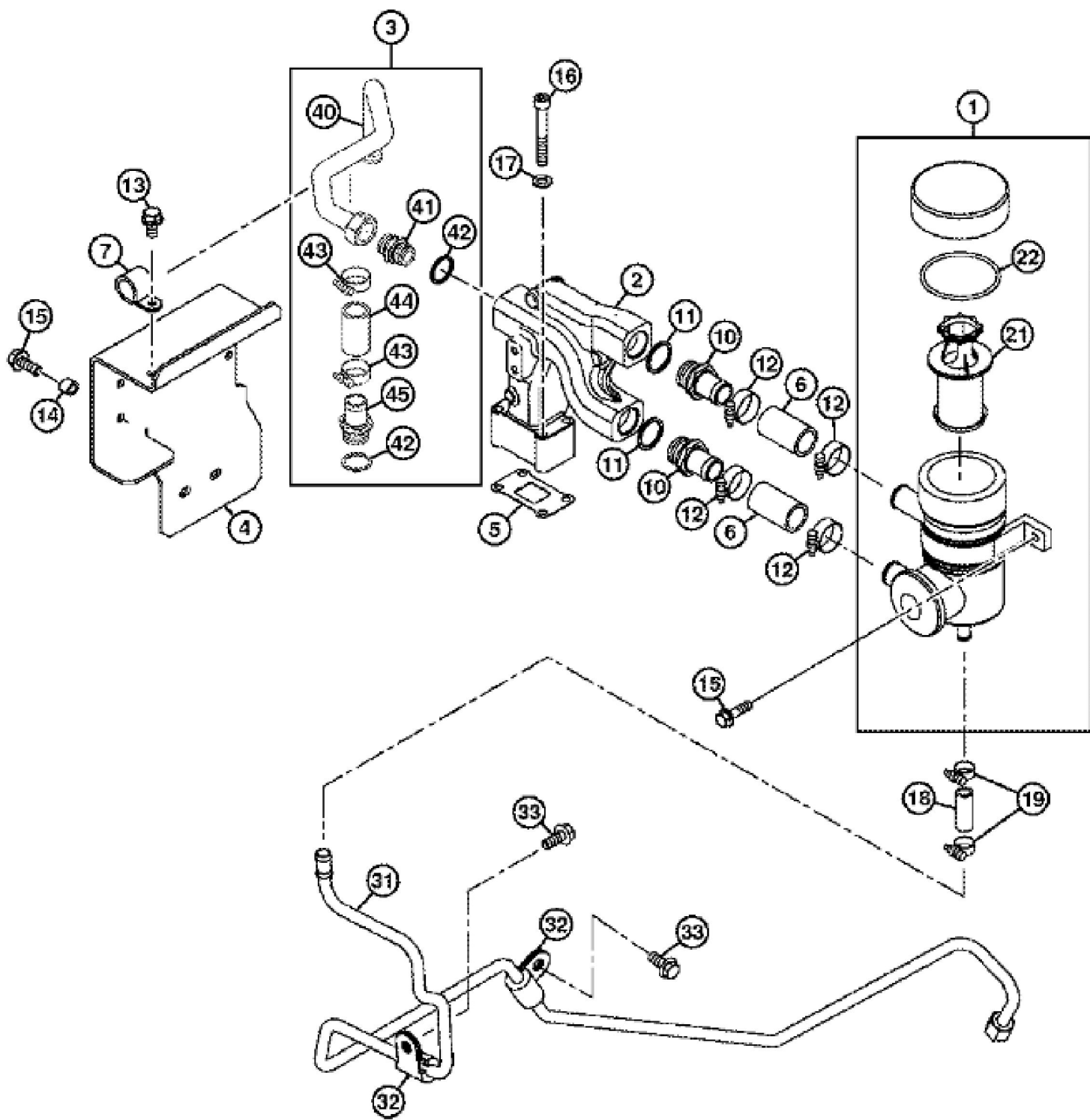


TX1055114

John Deere > Construction And Forestry >DOZER, CRAWLER >950J - DOZER, CRAWLER >950J Crawler Dozer (Worldwide Edition) >04 ENGINE >0407 ENGINE OILING SYSTEM >ST22275 - ENGINE OIL PAN, DIPSTICK AND TUBE, AND OIL PAN DRAIN VALVE

KEY	PART NO.	PART NAME	QTY	Serial No.	REMARKS
1	LW9079495	FRAME	1		
2	LW9079482	OIL PAN	1		
3	LW9079491	PLATE	1		
4	LW9079958	OIL PAN	1		
5	LW10145779	OIL TUBE	1		NLA, SUB FOR LW9079128
6	LW9079122	COVER	2		
7	LW9079124	GASKET	3		
8	AT311904	COVER	1		
9	LW9079126	STRAINER	1		
10	19M9569	SCREW	13		M8 X 25
11	19M9446	SCREW	2		M8 X 12
12	LW9079125	GASKET	1		
13	LW9079123	COVER	1		
21	LW9079621	FRAME	1	____-XXXXXX	
21	LW10118656	FRAME	1	XXXXXX-____	
22	LW10123734	GASKET	1		SUB FOR LW10118549 AND LW9079557
24	19M8658	SCREW	34	____-XXXXXX	M8 X 60
24	LW10333554	SCREW	34	XXXXXX-____	
25	12M5442	WASHER	34	____-XXXXXX	8.400 X 15 X 0.800 mm
31	LW10123868	OIL PAN	1		SUB FOR LW9079481
32	LW10123735	GASKET	1		SUB FOR LW9079556 AND LW10118551
33	LW9079494	PLATE	1		
34	19M9567	SCREW	12		M8 X 16, SUB FOR LW10005511
35	LW9079845	FITTING	1		
36	AT260902	RING	1		
37	19M10239	SCREW	13		M8 X 65, SUB FOR LW10100304
38	AT320741	DRAIN PLUG	7		
39	LW10017158	SCREW	5		
40	AT218506	DRAIN VALVE	1		
41	19M7923	CAP SCREW	1		M6 X 12
42	24M7088	WASHER	1		6.600 X 12 X 1.600 mm
43	AT274709	CLIP	1		
44	LW9079844	BRACKET	1		
45	19M9443	SCREW	1		M6 X 16, SUB FOR LW407350208

KEY	PART NO.	PART NAME	QTY	Serial No.	REMARKS
46	AT218825	SEALING WASHER	1		
47	R104558	O-RING	1		
48	AT218659	SEALING WASHER	1		
49	AT218722	CAP	1		
51	LW10123873	PLATE	1		SUB FOR LW9079959
52	LW10123735	GASKET	1		SUB FOR LW9079556 AND LW10118551
53	19M7897	SCREW	13		M8 X 35, SUB FOR LW10037518
54	AT266609	PLUG	1		
55	LW10100303	CAP SCREW	5		
56	LW10017158	SCREW	1		SUB FOR LW10011260
61	LW9079555	PLATE	1		
62	LW10123735	GASKET	1		SUB FOR LW9079556 AND LW10118551
63	LW10037518	CAP SCREW	13		
64	AT266609	PLUG	1		
65	..	CAP SCREW	5		



TX1025442

Thank you so much for reading.
Please click the “Buy Now!”
button below to download the
complete manual.



After you pay.

You can download the most
perfect and complete manual in
the world immediately.

Our support email:

ebooklibonline@outlook.com