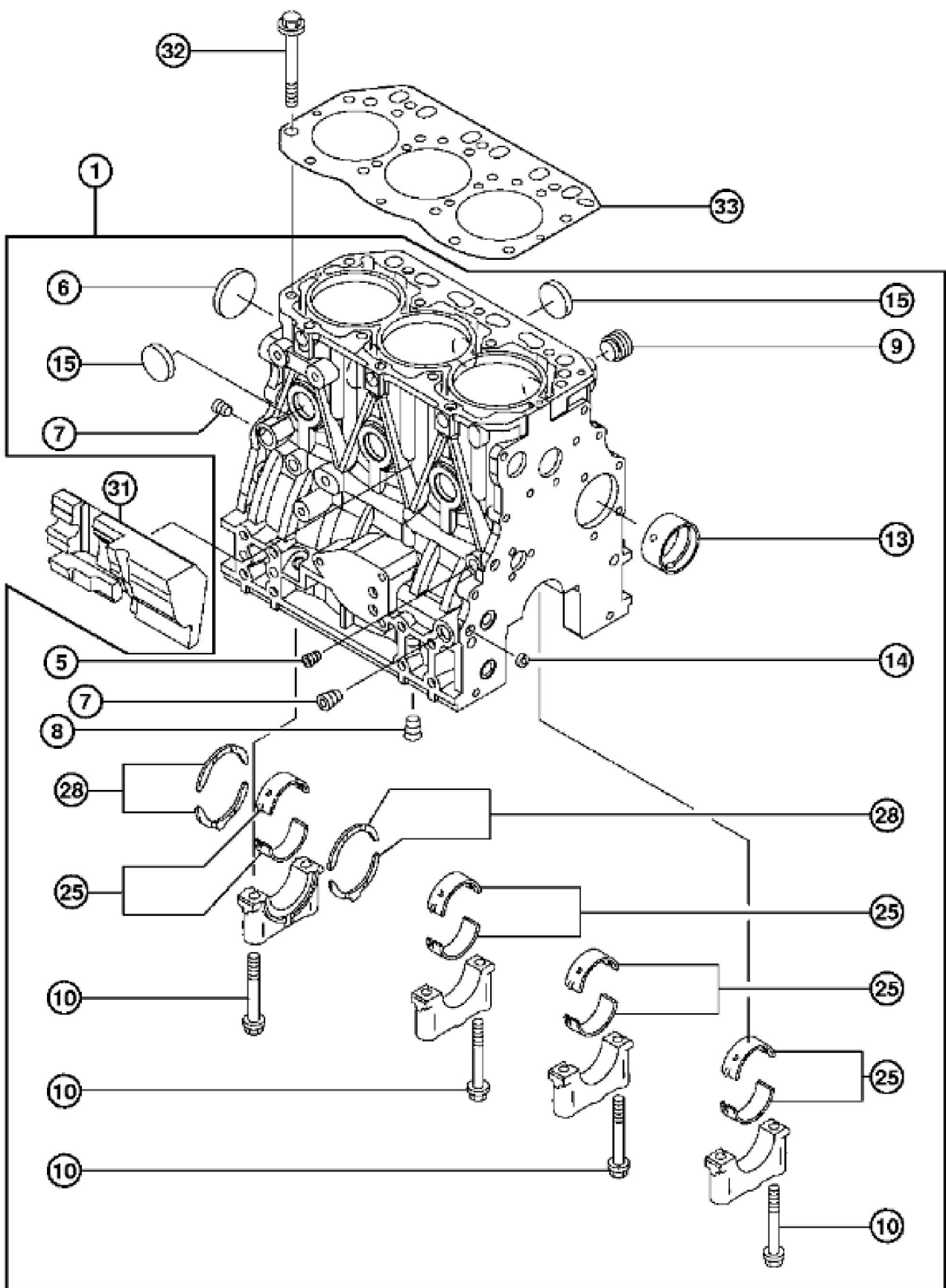


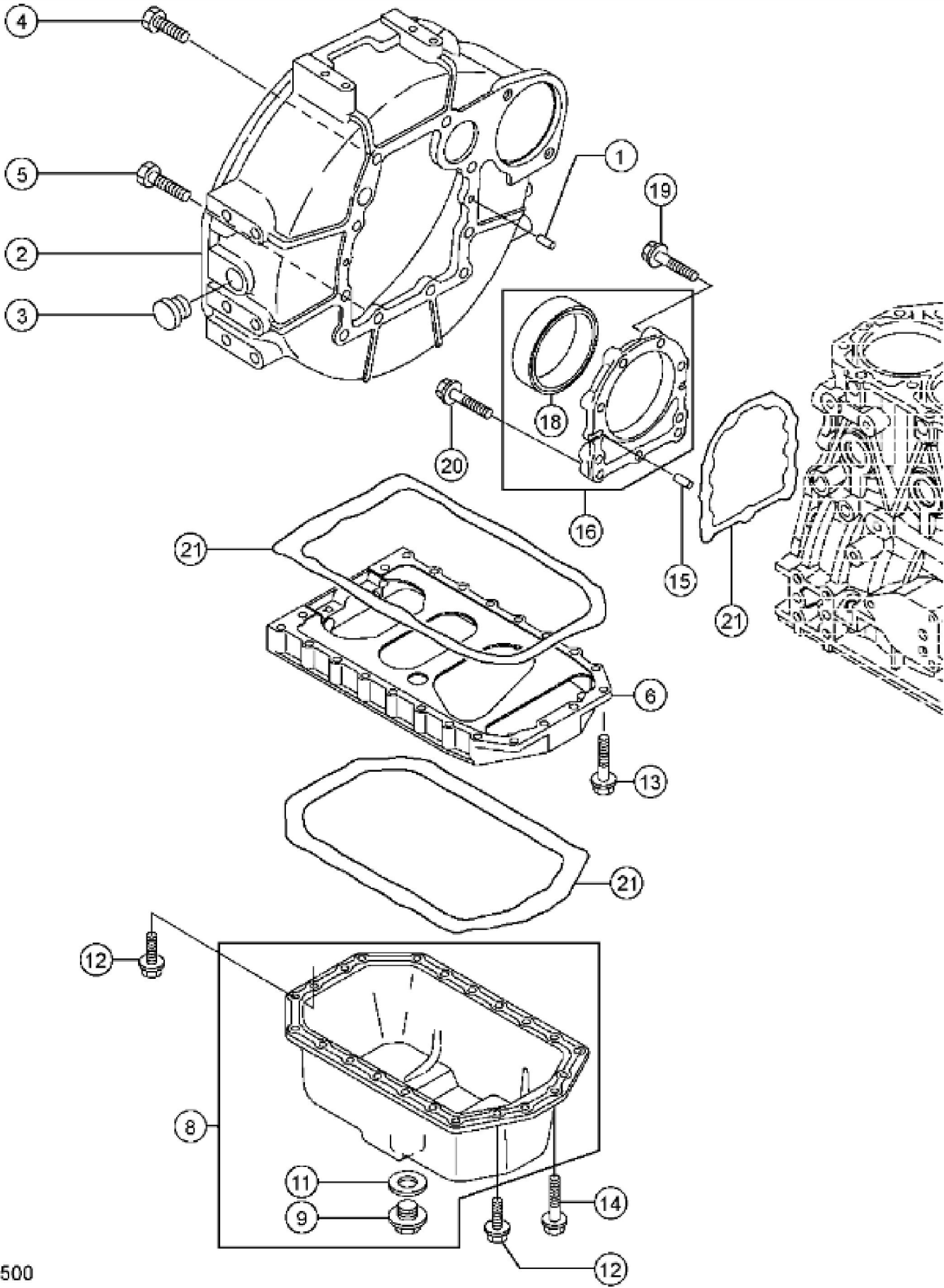
RGP11540

KEY	PART NO.	PART NAME	QTY	REMARKS	
1	AM882051	SHORT BLOCK ASSEMBLY	1		
2	AM881997	CYLINDER BLOCK	1		
3	M801046	CAM FOLLOWER	6		
4	RG61063	CAMSHAFT	1		
5	AM881984	CRANKSHAFT	1		
6	AM881985	PISTON	3		
7	M806430	PISTON PIN	3		
8	RG60161	SNAP RING	6		
9	AM875320	CONNECTING ROD	3		
10	AM881829	GEAR	1		
11	CH19780	BOLT	2		



KEY	PART NO.	PART NAME	QTY	REMARKS
1	CYLINDER BLOCK	1	
5	CH10314	PLUG	2	
6	DRAIN PLUG	1	(50) (M809565 NLA)
7	CH10335	PLUG	10	
8	CH10335	PLUG	1	
9	15H562	PIPE PLUG	1	1"
10	M801189	BOLT	2	
13	MIU800573	CAMSHAFT	2	(SUB FOR M800977)
14	M87801	PLUG	2	(30)
15	30M7023	PLUG	2	
25	AM881821	BEARING	4	(0.25 MM UNDERSIZED)
25	MIA880550	BEARING	AR	(SUB FOR AM875374)
28	THRUST BEARING	2	
28	AM875373	BEARING KIT	AR	(0.25 OS)
31	M811084	SPACER	1	
32	M801186	BOLT	14	
33	M806811	ENGINE CYLINDER HEAD GASKET	1	

KEY	PART NO.	PART NAME	QTY	REMARKS
0	GEAR CASE	1	(NSEP)
1	RG61100	HOUSING	1	
4	M806938	PLUG	2	
5	PLUG	1	
6	M800988	SEAL	1	
7	AM881828	COVER	1	
8	M811058	COVER	1	
9	M811140	PRESSURE RELIEF VALVE	1	
10	RG60607	SPRING	1	
11	PLUG	1	
12	M811042	FLANGE	1	
13	STUD	3	
14	M805710	CAP	1	
15	CH18096	COVER	1	
16	M800974	PIPE	2	
17	M810185	O-RING	4	
18	M811059	ROTOR	1	INNER
19	M811060	ROTOR	1	OUTER
20	M811061	SCREW	7	
21	CH16940	O-RING	1	
22	RG60841	BOLT	3	
23	M805711	PACKING	1	
24	19M7865	SCREW	4	M8 X 16
25	19M7865	SCREW	3	M8 X 16
26	19M7979	SCREW	12	M8 X 55
27	14M7298	FLANGE NUT	3	M8
28	MIU800476	COVER	1	(SUB FOR M87874)
29	CH13526	PACKING	1	
30	19M7775	SCREW	2	M6 X 16
31	M801839	SEALANT	AR	



T204500

Thank you so much for reading.
Please click the “Buy Now!”
button below to download the
complete manual.



After you pay.

You can download the most
perfect and complete manual in
the world immediately.

Our support email:

ebooklibonline@outlook.com