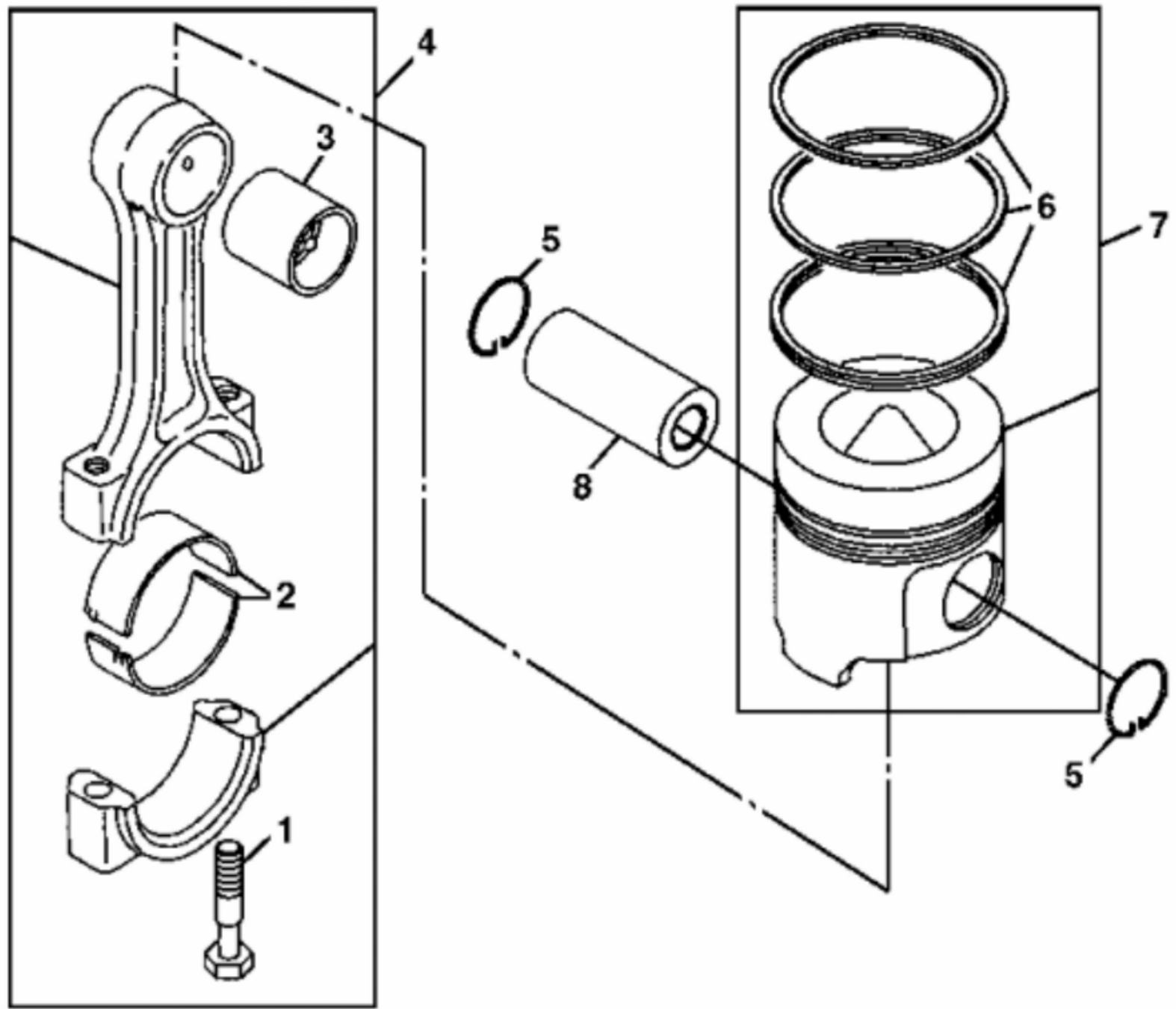
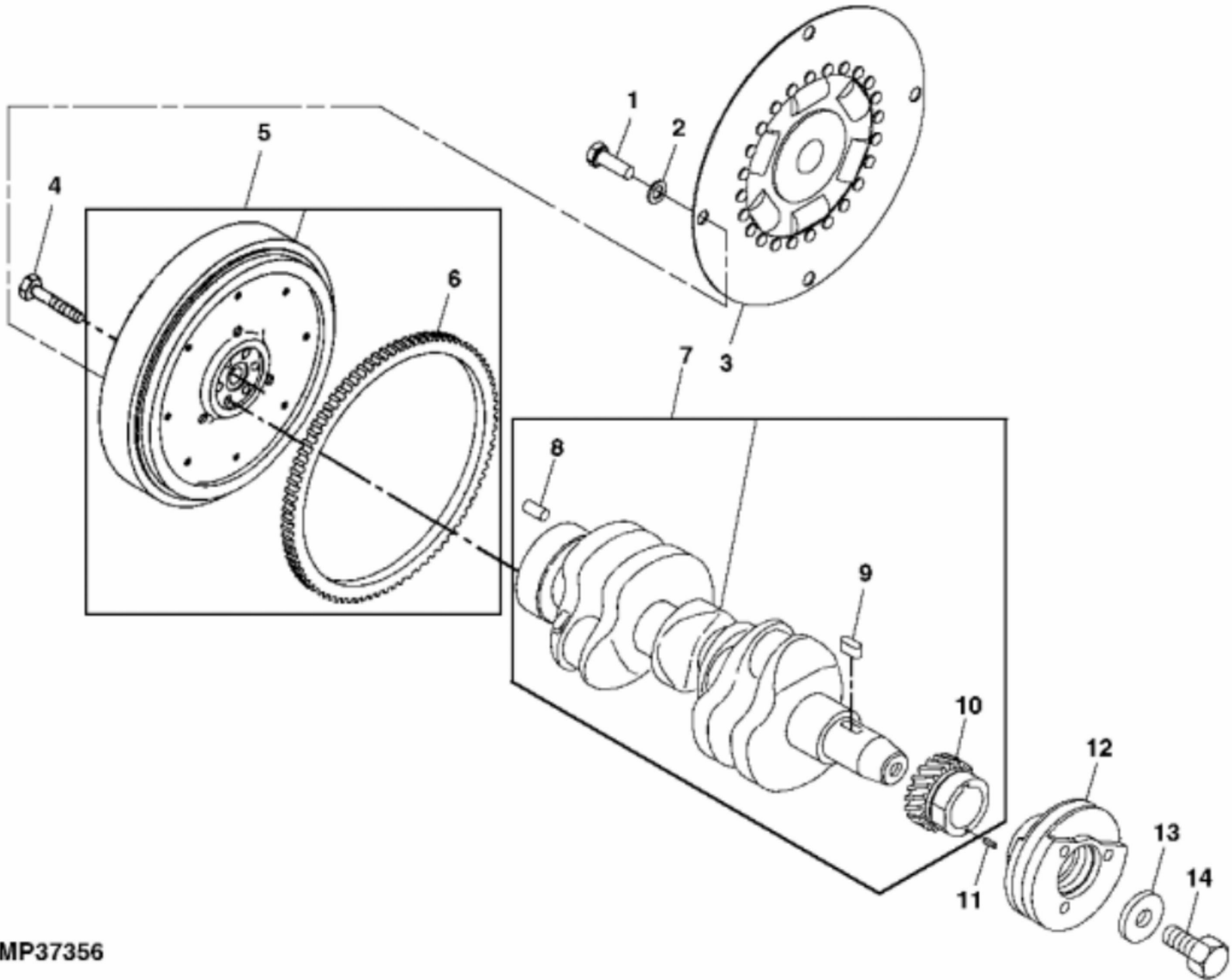


KEY	PART NO.	PART NAME	QTY	REMARKS
1	M801186	BOLT	14	
2	M806440	ENGINE CYLINDER HEAD GASKET	1	
3	AM882097	CYLINDER BLOCK	1	
4	CH10335	PLUG	3	
5	CH10314	PLUG	1	
6	M802255	PIN	4	
7	M809565	PLUG	1	
8	CH18079	SPRING PIN	2	
9	30M7023	PLUG	6	
10	15H562	PIPE PLUG	1	1"
11	M800977	BUSHING	1	CAMSHAFT
12	M811055	SHAFT	1	IDLER
13	19M8317	BOLT	3	
14	M87801	PLUG	2	
15	M800974	PIPE	2	
16	MIA880555	BEARING	2	THRUST (SUB FOR AM875373)
17	MIA880554	BEARING	4	MAIN, STD (SUB FOR AM881821)
17	MIA880550	BEARING	4	0.25MM (.010") US, (SUB FOR AM875374) MAIN
18	BEARING CAP	3	
19	M801189	BOLT	8	
20	BEARING CAP	1	
21	M811084	SPACER	1	
..	MIA10495	DIESEL ENGINE	1	(MARKED 3TNV84-KJT), (SUB AM882100)
..	MIA882681	SHORT BLOCK ASSEMBLY	1	SUB FOR AM882100



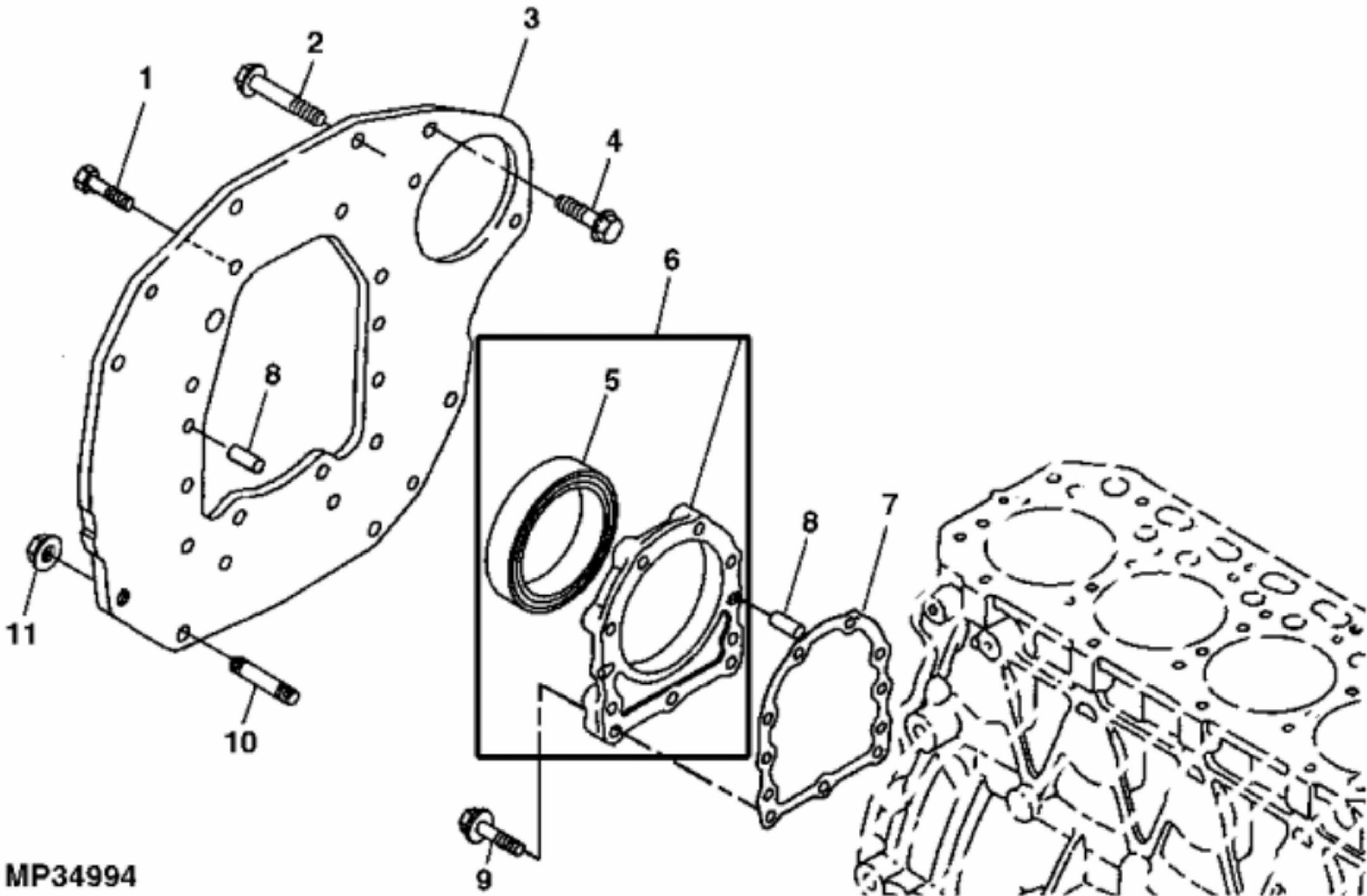
MP18666

KEY	PART NO.	PART NAME	QTY	REMARKS	
1	CH15483	BOLT	2		
2	MIA880563	BEARING	1	STD (SUB FOR AM875392)	
2	MIA880568	BEARING	1	0.25 MM (.010") US, (SUB FOR AM875395)	
3	M801256	BEARING	1		
4	AM875391	CONNECTING ROD	3		
5	M806457	SNAP RING	6		
6	AM881938	PISTON RING KIT	1	STD	
6	AM881940	PISTON RING KIT	1	0.25 MM (.010") OS	
7	AM881978	PISTON REPLACEMENT KIT	3	STD	
7	AM881939	PISTON REPLACEMENT KIT	3	0.25 MM (.010") OS	
8	M806456	PISTON PIN	3		



MP37356

KEY	PART NO.	PART NAME	QTY	REMARKS	
1	19M7662	CAP SCREW	4	M10 X 30	
2	24M7096	WASHER	4	10.500 X 18 X 1.600 mm	
3	LVA14575	TORSIONAL DAMPER	1	(SUB FOR LVA13516 OR LVA14679)	
4	CH19291	BOLT	6		
5	AM880930	FLYWHEEL	1		
6	CH10466	GEAR	1		
7	AM882247	CRANKSHAFT	1		
8	M802255	PIN	1		
9	M801045	SHAFT KEY	1		
10	M811651	GEAR	1		
11	CH15575	PIN	1		
12	M811430	PULLEY	1		
13	M801055	WASHER	1		
14	CH16798	BOLT	1		



MP34994

Thank you so much for reading.
Please click the “Buy Now!”
button below to download the
complete manual.



After you pay.

You can download the most
perfect and complete manual in
the world immediately.

Our support email:

ebooklibonline@outlook.com