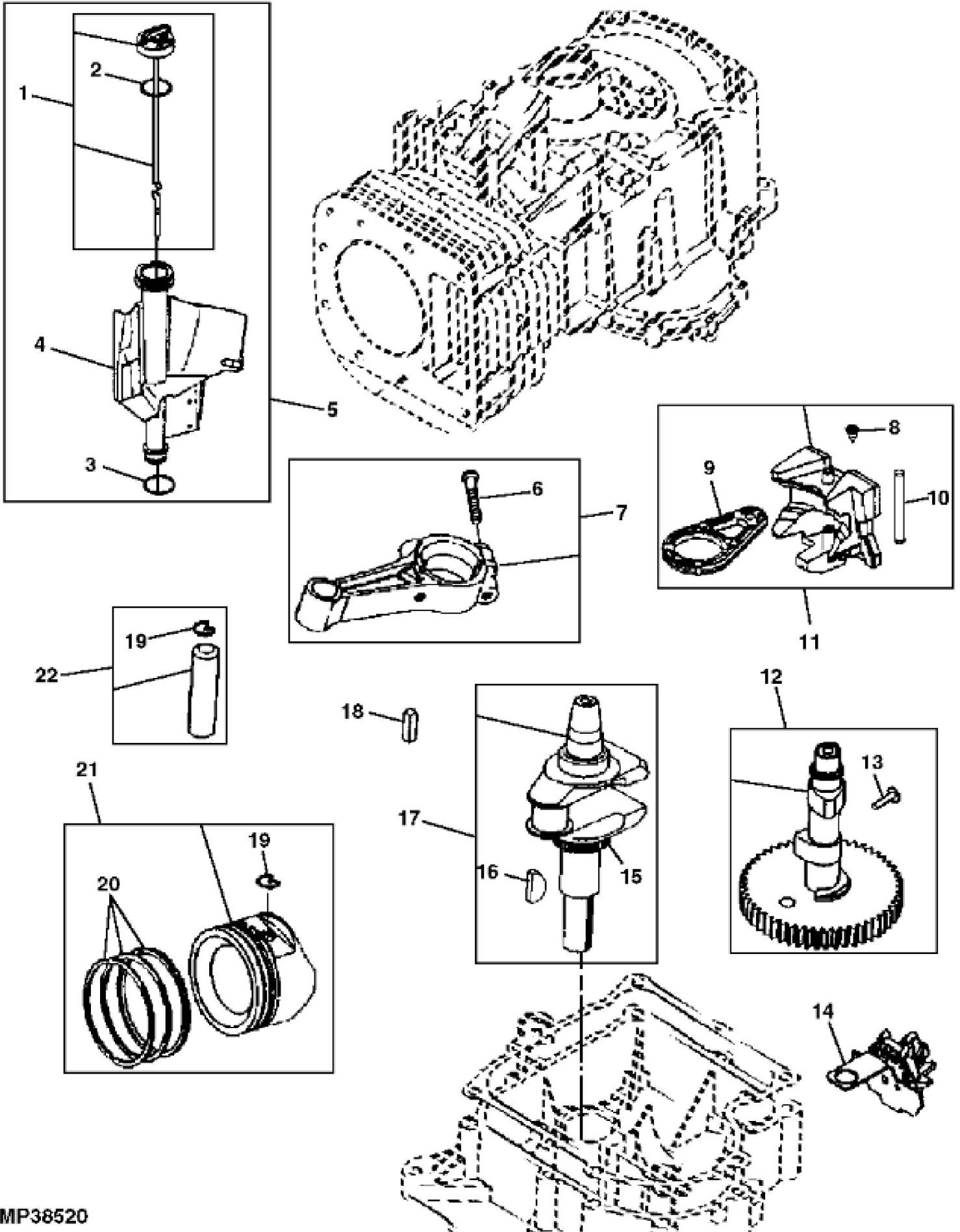


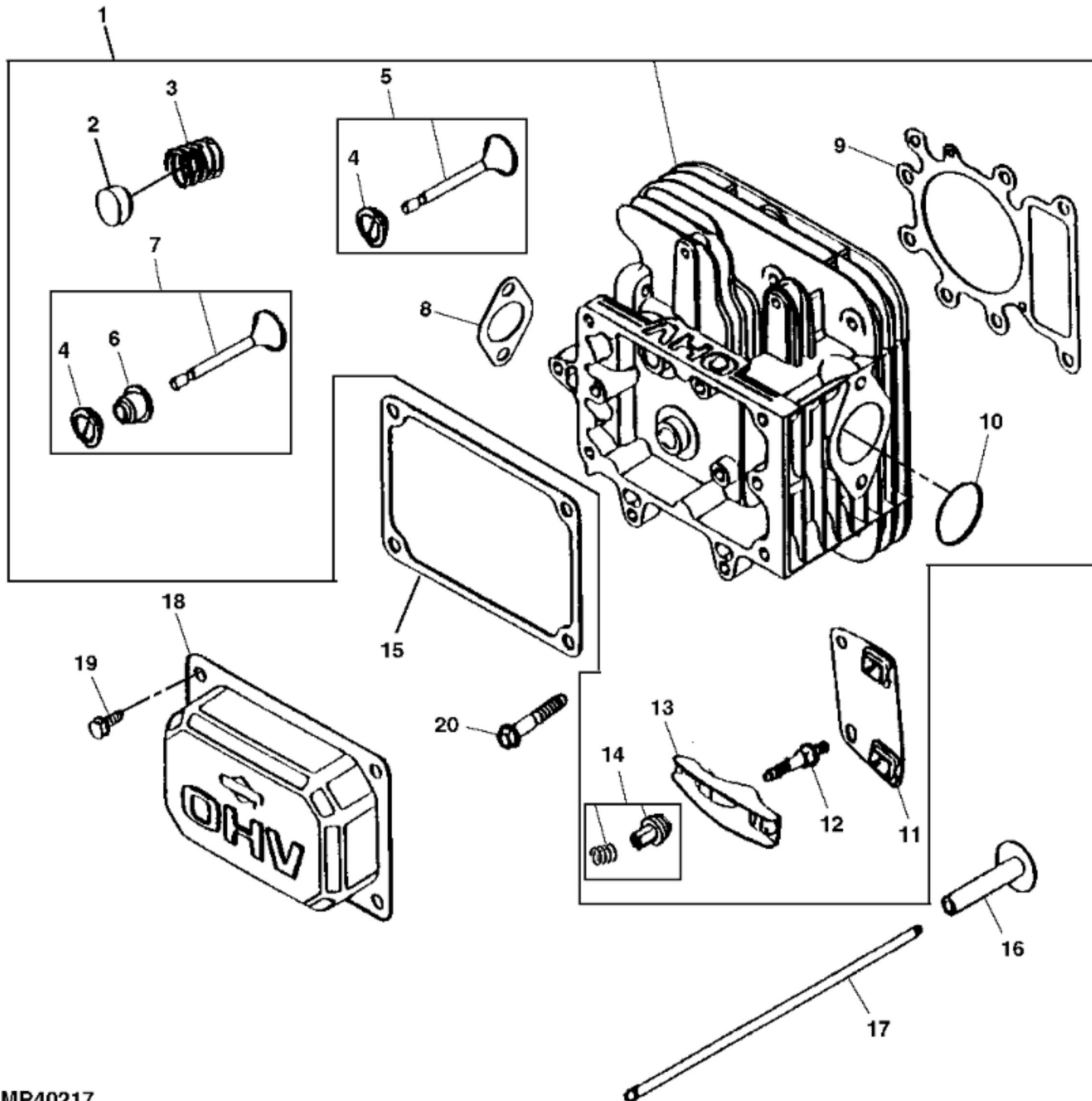
KEY	PART NO.	PART NAME	QTY	REMARKS
1	MIU11635	PLUG	1	(A)
2	MIA13017	SCREEN KIT	1	(A) SUB FOR MIA11525
3	MIU11638	SCREW	2	
4	MIU12139	FLYWHEEL	1	(SUB FOR MIU11637)
5	M153303	SCREW	1	
6	15H623	PIPE PLUG	1	3/8", (SUB FOR LG690946)
7	AM135134	FLYWHEEL	1	
8	LG691265	SNAP RING	1	
9	LG693713	PINION	1	STARTER
10	M147508	SCREW	2	
11	MIU11682	TUBE	1	BREATHER, (SUB FOR M147499)
12	MIU11631	COVER	1	
13	GASKET	1	BREATHER, (MAKE FROM PM37469)
14	M147507	SCREW	1	
15	M147501	BREATHER	1	REED
16	MIA11419	CYLINDER BLOCK	1	(SUB FOR MIA11101)
17	LG399265	BEARING	1	NLA; ORDER MIA11778; Bushing W/Seal
17	MIA11778	SEAL KIT	1	Bushing W/Seal
18	LG391086S	SEAL	1	(MAGNETO SIDE)
19	LG690959	DOWEL PIN	1	
20	M147497	BUSHING	1	GOVERNOR
21	LG692407	SEAL	1	GOVERNOR
22	M147513	GASKET	1	
23	MIU11958	SEAL	1	PTO SIDE, (SUB FOR MIU11212)
24	AM132352	RESERVOIR	1	
25	AM119686	DRAIN VALVE	1	
26	M120777	CAP	1	
27	E63525	NUT	1	M8
28	19M7897	SCREW	1	M8 X 35
29	GC00331	BOLT	3	NLA; ORDER GX24210; Engine Mounting
29	GX24210	SCREW	3	NLA
30	LG692125	CAP SCREW	10	
31	BULK HOSE	1	MAKE FROM TY22562
32	MIA11030	GASOLINE ENGINE	1	(Not Illustrated) MARKED 31P707-0132-B1; ORDER MIA11234

KEY	PART NO.	PART NAME	QTY	REMARKS	
32	MIA10955	GASOLINE ENGINE	1	(Not Illustrated) MARKED 31P707-0131-G1; ORDER MIA11166; California	
33	AM135275	SHORT BLOCK ASSEMBLY	1	(Not Illustrated)	
34	MIA11525	SCREEN KIT	1	(Not Illustrated) INCLUDES PARTS MARKED (A); W / Plug And Cup	



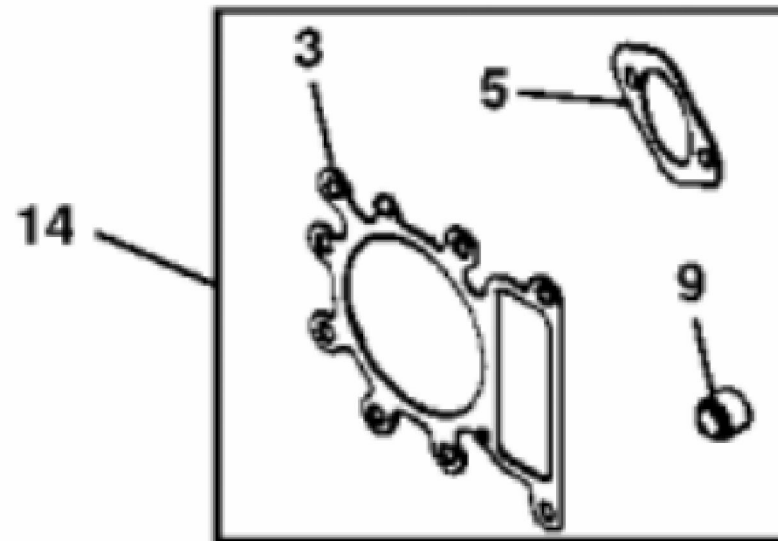
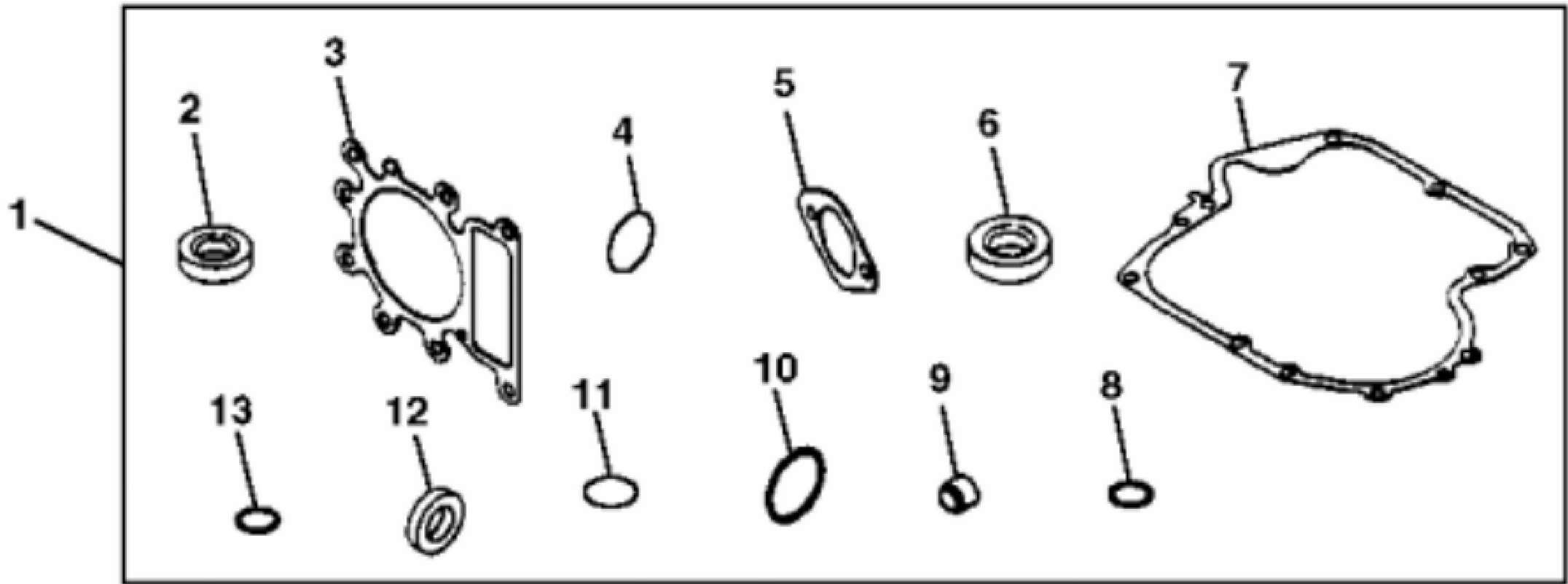
John Deere > Turf And Utility >EZTRAK >Z225 - EZTRAK >Z225 EZtrak Residential Zero Turn Mower (Worldwide Edition) >21 ENGINE MM14747, MM14593 (- 040000) >ST518315 - CRANKSHAFT, PISTON AND DIPSTICK

KEY	PART NO.	PART NAME	QTY	REMARKS
1	AM135145	DIPSTICK	1	
2	LG691031	O-RING	1	
3	LG691032	SEAL	1	
4	M152554	DIPSTICK TUBE	1	
5	AM135144	DIPSTICK TUBE	1	
6	MIU11051	SCREW	2	
7	MIA10624	CONNECTING ROD	1	
8	MIU11437	PLUG	1	
9	MIU11436	LINK	2	
10	M152556	PIN	2	
11	MIA10989	COUNTERWEIGHT	1	
12	MIA11157	CAMSHAFT	1	
13	LG690564	TAPPET	2	
14	LG691968	OIL SLINGER	1	
15	M147512	GEAR	1	TIMING
16	LG691639	SHAFT KEY	1	
17	MIA11844	CRANKSHAFT	1	(SUB FOR AM132351)
18	LG222698S	SHAFT KEY	1	FLYWHEEL
19	M152553	LOCK	1	
20	MIA10691	PISTON RING KIT	1	
20	MIU11639	PISTON RING KIT	1	.50 MM (.020") OS
21	MIA11421	PISTON	1	(REPLACES MIA10690)
21	MIA11430	PISTON	1	.50 MM (.020") OS, (REPLACES MIA10918)
22	AM132347	PISTON PIN	1	



MP40217

KEY	PART NO.	PART NAME	QTY	REMARKS
1	MIA11468	CYLINDER HEAD	1	(INCLUDES PARTS MARKED (A)), SUB FOR MIA11079) (INCLUDES MIU11713)
2	LG691843	CAP	1	
3	LG691279	SPRING	2	
4	LG499586	RETAINER	1	
5	MIA11214	EXHAUST VALVE	1	(SUB FOR MIA10688)
6	LG690968	SEAL	1	
7	MIA10689	INTAKE VALVE	1	
8	LG692236	GASKET	1	EXHAUST
9	MIU11490	ENGINE CYLINDER HEAD GASKET	1	
10	LG692138	O-RING	1	
11	LG690822	GUIDE	1	
12	LG691095	STUD	2	
13	LG691751	ROCKER ARM	2	
14	LG691986	ADJUSTER	2	
15	LG272475S	GASKET	1	(A), ROCKER COVER
16	LG690564	TAPPET	2	
17	LG692003	PUSH ROD	1	INTAKE
17	LG692011	PUSH ROD	1	EXHAUST
18	MIU12708	COVER	1	
19	LG691108	SCREW	4	
20	MIU11632	SCREW	8	SUB FOR MIU11632



MP40218

Thank you so much for reading.
Please click the “Buy Now!”
button below to download the
complete manual.



After you pay.

You can download the most
perfect and complete manual in
the world immediately.

Our support email:

ebooklibonline@outlook.com