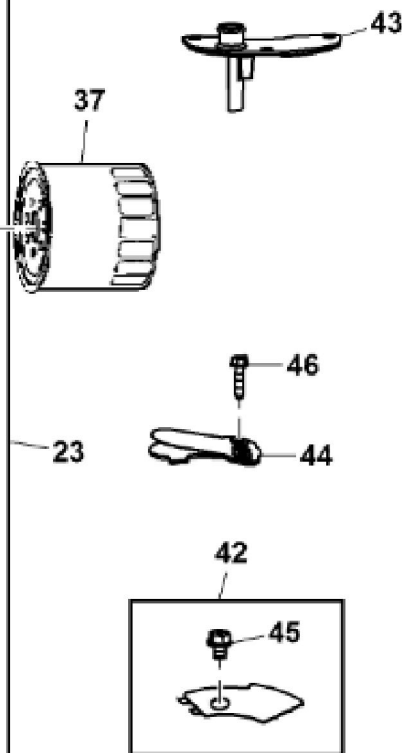
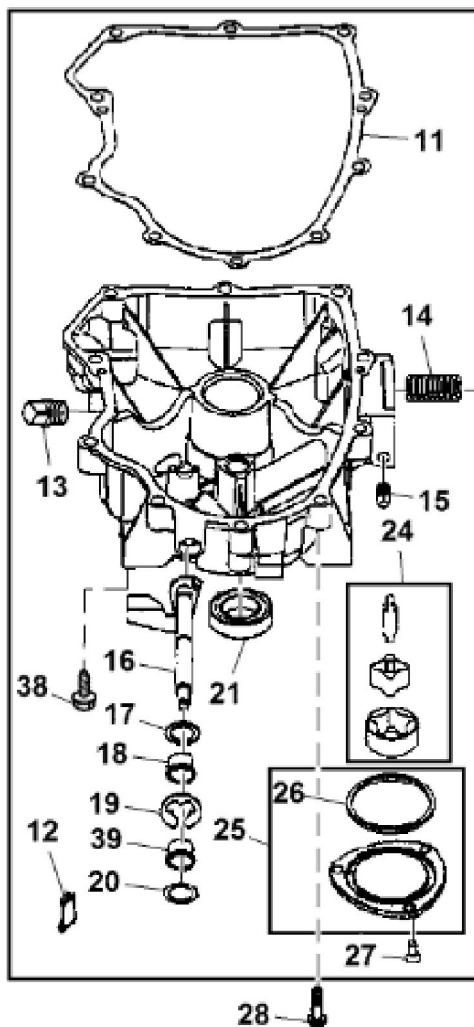
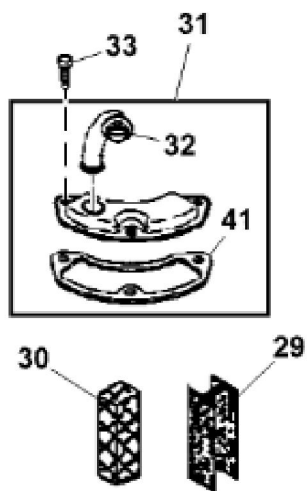
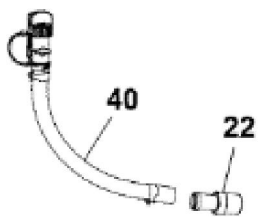
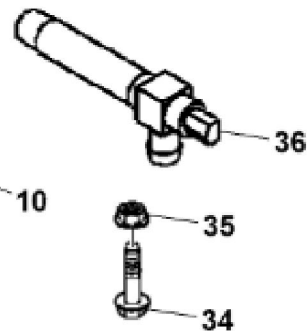
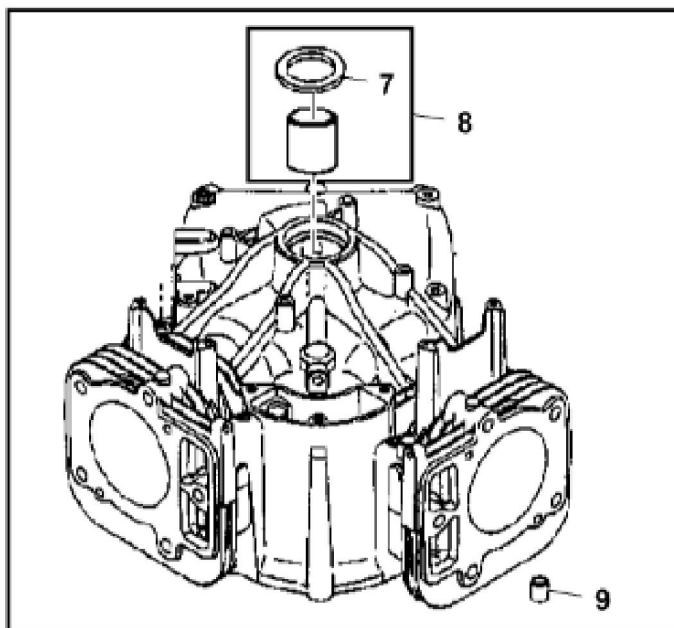
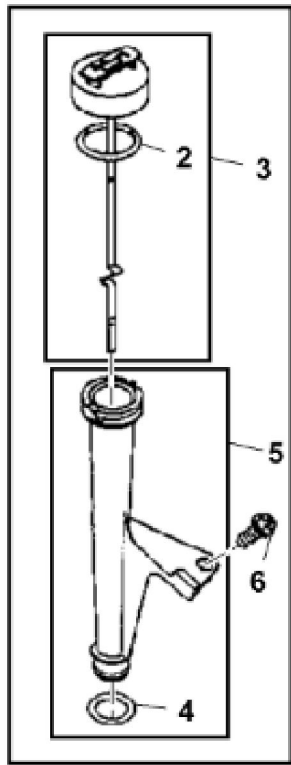


PU11716

KEY	PART NO.	PART NAME	QTY	Serial No.	REMARKS
1	MIA10737	GASOLINE ENGINE	1		ORDER MIA10950; MARKED 445577-0120-E1
1	MIA10950	GASOLINE ENGINE	1		ORDER MIA10956; MARKED 445577-0122-E1
1	MIA11031	GASOLINE ENGINE	1		ORDER MIA11313; MARKED 44L777-0115-B1
1	MIA10956	GASOLINE ENGINE	1		ORDER MIA11313; MARKED 44L777-0116-G1; For California
1	MIA11313	GASOLINE ENGINE	1		ORDER MIA11607; MARKED 44L777-0144-G1
1	MIA11586	GASOLINE ENGINE	1		ORDER MIA11830; MARKED 44L777-0160-B1; Not for USA
1	MIA11830	GASOLINE ENGINE	1		ORDER MIA12061; MARKED 44L777-0160-B3; Not for USA
1	MIA11607	GASOLINE ENGINE	1		ORDER MIA12060; MARKED 44L777-0279-G1
1	MIA12060	GASOLINE ENGINE	1		ORDER MIA12103; MARKED 44L777-0279-G5
1	MIA12103	GASOLINE ENGINE	1		ORDER MIA12272; MARKED 44L777-0134-G5
1	MIA12272	GASOLINE ENGINE	1		ORDER MIA12598; MARKED 40H777-0182-G5
1	MIA11608	GASOLINE ENGINE	1		ORDER MIA12061; MARKED 44L777-0282-B1; Not for USA
1	MIA12061	GASOLINE ENGINE	1		ORDER MIA12104; MARKED 44L777-0282-B5
1	MIA12104	GASOLINE ENGINE	1		ORDER MIA12273; MARKED 44L777-0133-B1; Not for USA
1	MIA12273	GASOLINE ENGINE	1		ORDER MIA12599; MARKED 40H777-0152-B1; Not for USA
1	MIA12598	GASOLINE ENGINE	1	150001-170000	MARKED 44S677-0001-G1
1	MIA12766	GASOLINE ENGINE	1	170001-_____	MARKED 44S677-0018-G1
1	MIA12599	GASOLINE ENGINE	1	150001-170000	MARKED 40S877-0002-B1; Not for USA
1	MIA12767	GASOLINE ENGINE	1	170001-_____	MARKED 40S877-0014-B1; Not for USA



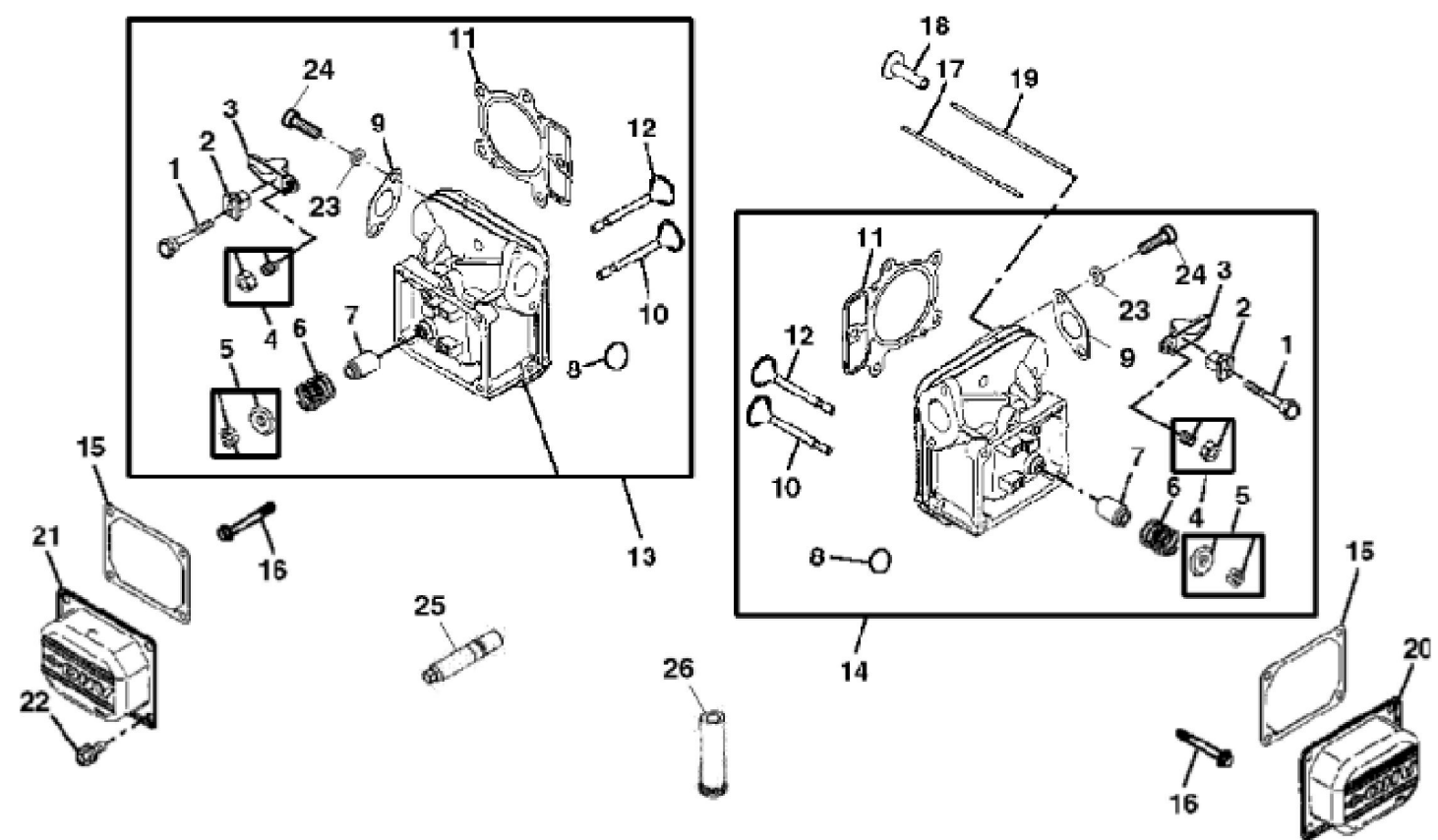
KEY	PART NO.	PART NAME	QTY	Serial No.	REMARKS
1	UC11104	DIPSTICK	1		SUB FOR LG499602
2	LG691031	O-RING	1		
3	LG691036	DIPSTICK	1		
4	LG691032	SEAL	1		
5	LG691037	OIL TUBE	1		
6	37H74	SCREW	1	____-120000	8 X 1/2
6	M153266	SCREW	1	120001-____	
7	LG391086S	SEAL	1		
8	MIA11778	BUSHING KIT	1		
9	LG690959	DOWEL PIN	6		
10	MIA13076	CYLINDER BLOCK	1		For USA and Canada SUB FOR MIA12510, MIA11033 OR MIA10607
10	MIA12493	CYLINDER	1		Not for USA and Canada ORDER MIA13087; SUB FOR MIA11345
10	MIA13087	CYLINDER	1		Not for USA and Canada ALSO ORDER MIA13077, MIU14443, MIU14444, MIU14445, MIU14464 AND MIU14448
11	MIU14436	GASKET	1		SUB FOR M150226 AND MIU13979
12	MIU12140	SCREEN	1		
12	MIU12709	SCREEN	1		USE WITH MIA10737 OR MIA10950
13	15H623	PIPE PLUG	1		3/8"
13	LG692125	CAP SCREW	1		
14	LG690954	THREADED NIPPLE	1		
15	15H638	PIPE PLUG	1		1/8"
16	LG691045	CRANK	1		
17	M142280	WASHER	1		Governor Crank
18	M142282	BUSHING	1		Governor Crank
19	M142286	RETAINER	2		
20	MIU11284	SEAL	1		Governor Shaft
21	MIU11958	SEAL	1		
22	MIU14390	HOSE FITTING	1		Connector
23	MIA11584	RESERVOIR	1		
24	MIU12143	OIL PUMP	1		
25	MIA11464	COVER	1		
26	MIU12153	SEAL	1		

KEY	PART NO.	PART NAME	QTY	Serial No.	REMARKS
27	MIU12142	SCREW	3		
28	M142896	SCREW	10		
29	LG690957	RETAINER	1		
30	MIU11502	BREATHER	1		
31	MIA10872	BREATHER	1		
32	MIU14443	TUBE	1		SUB FOR MIU11280
33	37H74	SCREW	1	____-120000	
33	LG691108	SCREW	3	120001-____	
34	19M7897	SCREW	1	____-130000	M8 X 35, Engine or Ground Mount
35	E63525	NUT	1	____-130000	M8, Engine or Ground Mount
36	AM136361	VALVE	1	____-130000	Oil Drain
37	AM125424	OIL FILTER	1		
38	GC00331	SCREW	3		ORDER GX24210
38	GX24210	SCREW	4		
39	MIU12503	BUSHING	1		Governor Crank
40	MIU14391	HOSE	1		
41	LG690937	GASKET	1		
42	MIA13077	PLATE	1		
43	MIU14444	COVER	1		Breather
44	MIU14445	VALVE	1		Breather
45	MIU14464	SCREW	1		
46	MIU14448	SCREW	1		



KEY	PART NO.	PART NAME	QTY	Serial No.	REMARKS
1	AM135101	CONNECTING ROD	2	010001-040000	
1	MIA11459	CONNECTING ROD	2	040001-_____	
2	LG690976	SCREW	4		
3	AM135083	CRANKSHAFT	1	010001-040000	
3	MIA11457	CRANKSHAFT	1	040001-_____	
4	26H4	SHAFT KEY	1		1/8" X 3/8", Timing
5	LG690980	GEAR	1		Timing
6	LG222698S	SHAFT KEY	1		Flywheel
7	MIA10916	CAMSHAFT	1	010001-040000	
7	M151221	CAMSHAFT	1	040001-080000	INCLUDES (4) LG690977
7	MIA11792	CAMSHAFT	1	080001-130000	INCLUDES(4) LG690977
7	MIA11789	CAMSHAFT	1	130001-_____	INCLUDES(4) LG690977
8	LG499054	OIL PUMP	1	010001-040000	Before Engine Date Code 07022600
8	MIU12083	OIL PUMP	1	010001-040000	After Engine Date Code 07022500
8	MIA11172	OIL PUMP	1	040001-060000	Before Engine Date Code 08071800
8	MIU12143	OIL PUMP	1	040001-150000	After Engine Date Code 08071700
8	MIA11172	OIL PUMP	1	150001-_____	
9	PM37469	LIQUID GASKET	4		
10	LG499613	COVER	1		
11	LG690589	SEAL	1		
12	M151228	SCREW	3		
13	LG690975	LOCK	4		
14	LG690229	PISTON PIN	2	010001-150000	
14	MIA11458	PISTON PIN	2	150001-_____	
15	MIU11282	PISTON RING KIT	2	010001-130000	Standard
15	B1698430	PISTON RING KIT	2	130001-150000	Standard
15	MIU11283	PISTON RING KIT	2	150001-_____	.020" (.50 MM) OS
15	B1698437	PISTON RING KIT	2	130001-150000	.020" (.50 MM) OS
15	MIU12161	RING	2	130001-_____	.020" (.50 MM) OS
16	MIA10877	PISTON	2	010001-130000	Standard
16	MIA10996	PISTON	2	150001-_____	Standard
16	MIA10878	PISTON	2	010001-130000	.020" (.50 MM) OS
16	MIA11788	PISTON	2	150001-_____	.020" (.50 MM) OS
16	MIA11346	PISTON	2	130001-150000	
16	MIA11102	PISTON	2	130001-150000	.020" (.50 MM) OS

KEY	PART NO.	PART NAME	QTY	Serial No.	REMARKS	
17	MIU12153	SEAL	1			
18	MIA11464	COVER	1			
19	MIU12142	SCREW	3			
20	LG690977	TAPPET	4		(Not Illustrated)	



Thank you so much for reading.  
Please click the “Buy Now!”  
button below to download the  
complete manual.



After you pay.

You can download the most  
perfect and complete manual in  
the world immediately.

Our support email:

[ebooklibonline@outlook.com](mailto:ebooklibonline@outlook.com)