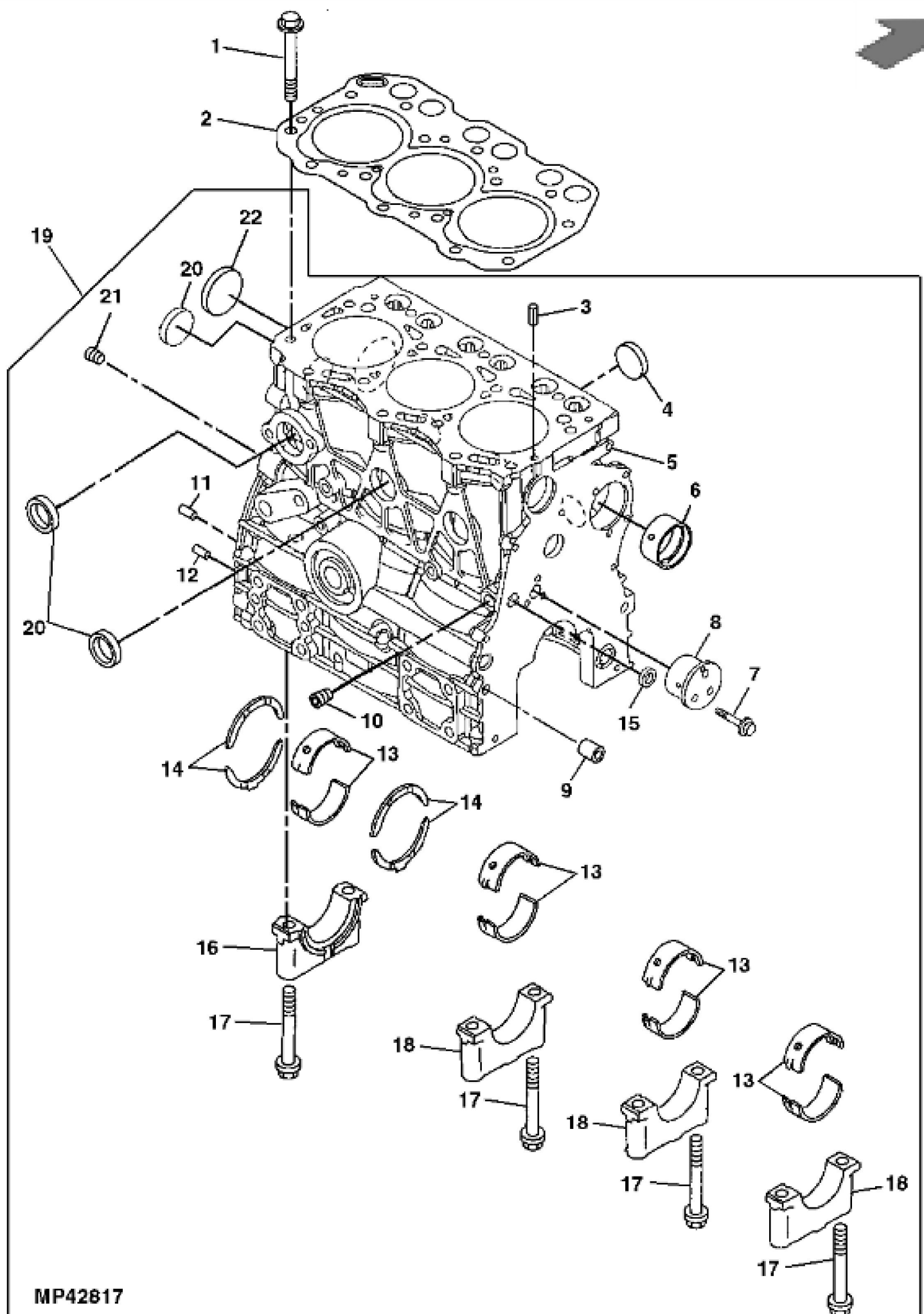


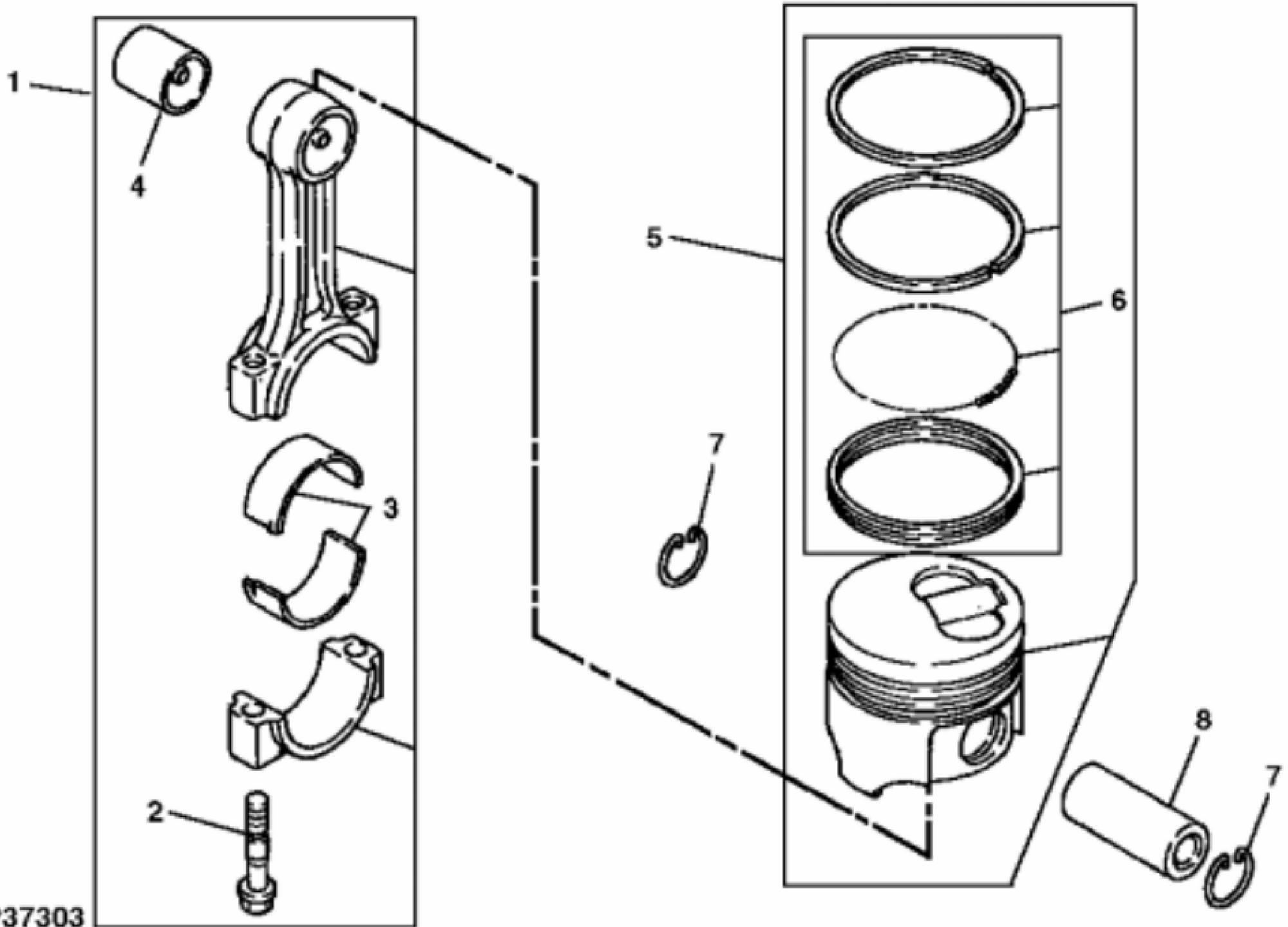
PU14105

KEY	PART NO.	PART NAME	QTY	Serial No.	REMARKS	
1	AM133450	ENGINE	1		MARKED 3TNV70-XJUV; ORDER MIA10999	
1	MIA10999	ENGINE	1		MARKED 3TNV70W-XJUV; ORDER MIA882683; INCLUDES (2) R44302	
1	MIA880303	SHORT BLOCK ASSEMBLY	1		Not Illustrated ORDER MIA882683	
1	MIA882683	SHORT BLOCK ASSEMBLY	1		Not Illustrated	
1	MIA12911	DIESEL ENGINE	1	130001-_____	MARKED 3TNV74F-NXBJUV; ORDER MIA884537	
1	MIA884537	SHORT BLOCK ASSEMBLY	1		Not Illustrated	



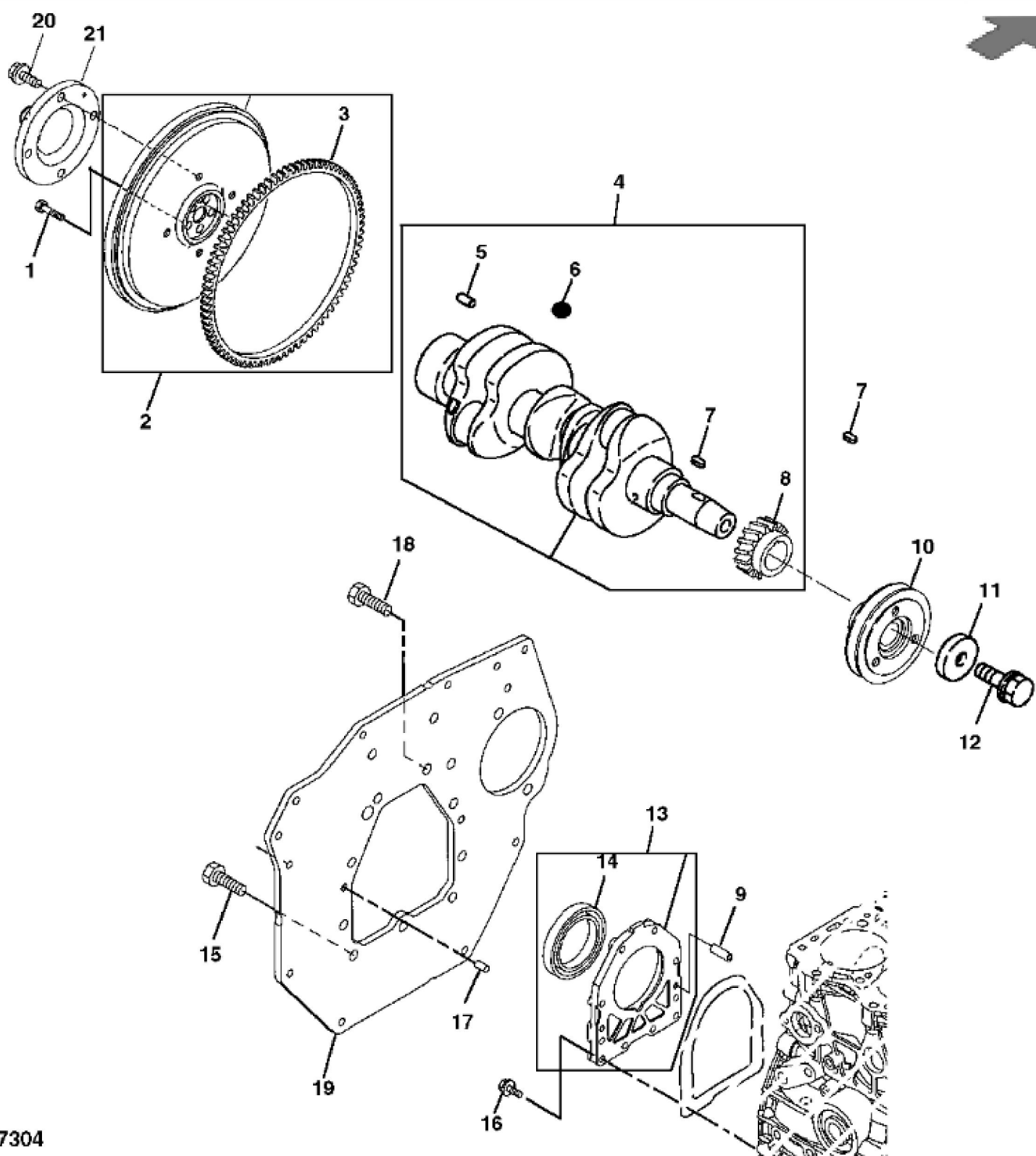
MP42817

KEY	PART NO.	PART NAME	QTY	REMARKS
1	MIU800287	BOLT	14	
1	M800970	BOLT	14	MARKED 3TNV74F-NXBJUV
2	MIU800288	GASKET	1	NLA; ORDER MIU802005
2	MIU802005	GASKET	1	
2	MIA882277	GASKET KIT	1	MARKED 3TNV74F-NXBJUV
3	CH18079	SPRING PIN	2	
4	M811807	PLUG	3	
5	CYLINDER BLOCK	1	
6	MIU800572	CAMSHAFT	1	(SUB FOR M811828)
7	M87871	BOLT	3	
8	M811882	SHAFT	1	Idle Gear
9	M800006	DOWEL PIN	2	
10	CH10314	PLUG	1	
11	M802255	PIN	2	
12	M802254	PIN	2	
13	MIA880551	BEARING	4	SUB FOR MIA880033; STD
13	AM882418	BEARING KIT	4	0.25 MM (.010") US
14	AM882419	BEARING KIT	2	Thrust
15	M87801	PLUG	1	
16	BEARING CAP	1	
17	M87879	BOLT	8	
18	BEARING CAP	3	
19	MIA880295	CYLINDER BLOCK	1	
19	MIA883292	CYLINDER BLOCK	1	MARKED 3TNV74F-NXBJUV
20	M811805	PLUG	4	
21	CH10335	PLUG	6	
22	M809593	PLUG	1	



MP37303

KEY	PART NO.	PART NAME	QTY	REMARKS
1	MIA880289	CONNECTING ROD	3	
2	M811877	BOLT	6	
3	MIA880560	BEARING KIT	3	STD SUB FOR MIA880290
3	MIA880565	BEARING KIT	3	0.25 MM (.010") US, (SUB FOR MIA880291)
4	M811880	BUSHING	3	
5	MIA880283	PISTON	3	STD
5	MIA880288	PISTON	3	0.25 MM (.010") OS
5	MIA882286	PISTON	3	MARKED 3TNV74F-NXBJUV
5	MIA884093	PISTON	3	0.25 MM (.010") OS, MARKED 3TNV74F-NXBJUV
6	MIA880285	PISTON RING KIT	3	STD
6	MIA880286	PISTON RING KIT	3	0.25 MM (.010") OS
6	MIA882279	PISTON RING KIT	3	MARKED 3TNV74F-NXBJUV
6	MIA882310	PISTON RING KIT	3	0.25 MM (.010") OS, MARKED 3TNV74F-NXBJUV
7	CH11486	RING	6	
8	MIU800313	PISTON PIN	3	
8	M811869	PISTON PIN	3	MARKED 3TNV74F-NXBJUV



MP37304

Thank you so much for reading.
Please click the “Buy Now!”
button below to download the
complete manual.



After you pay.

You can download the most
perfect and complete manual in
the world immediately.

Our support email:

ebooklibonline@outlook.com