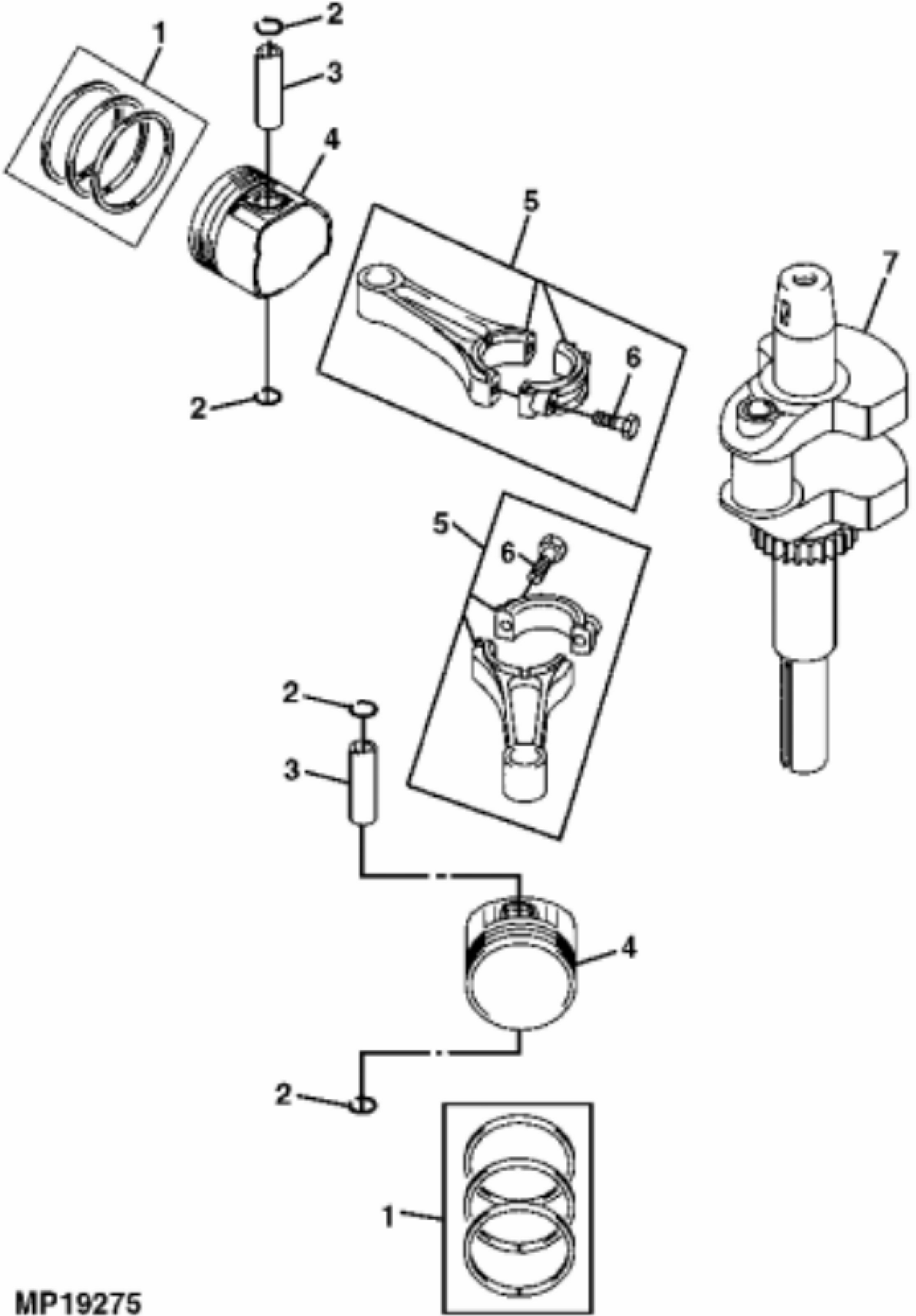


MP38637

John Deere > Turf And Utility >TRACTOR, LAWN AND GARDEN >X300R - TRACTOR, LAWN AND GARDEN >X300R Select Series Tractor >20 ENGINE MM14828 >ST559167 - CYLINDER HEAD AND CRANKCASE

KEY	PART NO.	PART NAME	QTY	REMARKS
1	MIA10583	CRANKCASE	1	
2	M127431	ADAPTER FITTING	1	
3	MIU10963	GASKET	1	ORDER MIU13318; ALSO ORDER MIU13317 AND (4) 19M7775
3	MIU13318	GASKET	1	
4	MIU10964	COVER	1	ORDER MIU13317; Breather
4	MIU13317	COVER	1	
5	19M7775	SCREW	4	M6 X 16
6	M149281	SEAL	1	
7	19M8477	CAP SCREW	4	M6 X 40
8	M138389	SEAL	4	
9	19M7320	CAP SCREW	4	M6 X 40
10	MIU12700	CASE	2	Rocker, (SUB FOR MIU11950)
11	M138375	GASKET	2	
12	MIU11326	BOLT	17	(SUB FOR M138393)
13	MIA10582	CYLINDER HEAD	1	No.1
14	M138388	PIN	6	
15	MIU10961	ENGINE CYLINDER HEAD GASKET	2	
16	M138395	STUD	4	NLA; ORDER MIU11736
16	MIU11736	BOLT	4	NLA; ORDER MIU12726
16	MIU12726	STUD	4	
17	MIU10962	GASKET	1	Crankcase Cover
18	MIA10581	CYLINDER HEAD	1	No.2
19	M149282	SEAL	1	
20	M138392	SEAL	1	NLA; ORDER M151774
20	M151774	SEAL	1	
21	MIU10965	COVER	1	
22	GC00331	SCREW	4	9.525 X 29.580 mm, NLA; ORDER GX24210; Engine Mounting
22	GX24210	SCREW	4	
23	M147270	PLUG	1	NLA; ORDER MIU14001
23	MIU14001	PLUG	1	
..	MIA10497	GASOLINE ENGINE	1	Export, (MARKED FH491V-AS50), NLA, ORDER MIA11075
..	MIA11075	GASOLINE ENGINE	1	Export, MARKED FH491V-B550, NLA, ORDER MIA11370

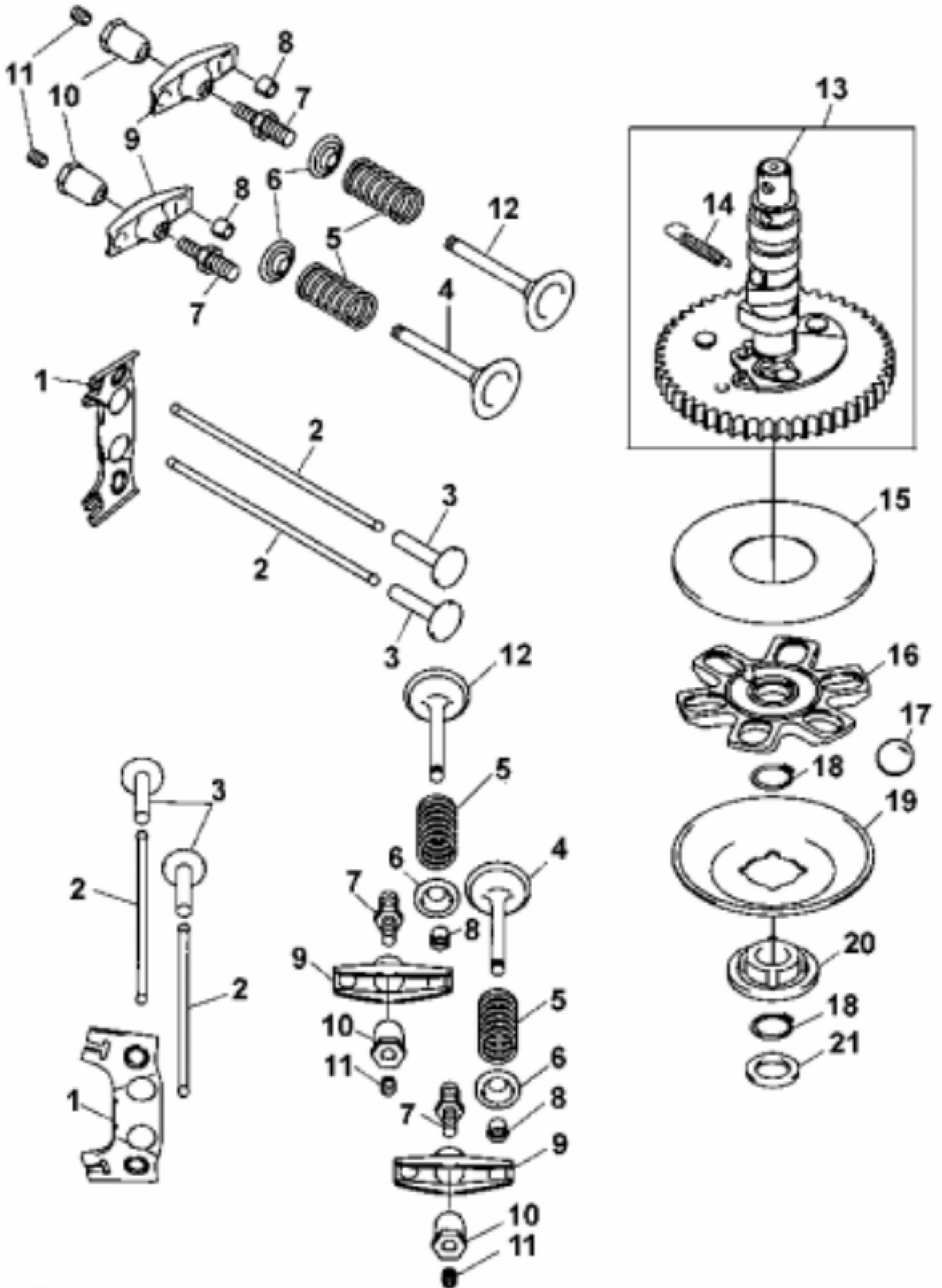
KEY	PART NO.	PART NAME	QTY	REMARKS	
..	MIA11370	GASOLINE ENGINE	1	MARKED FH491V-CS50, NLA, ORDER MIA10604	
..	MIA10604	SHORT BLOCK ASSEMBLY	1		



MP19275

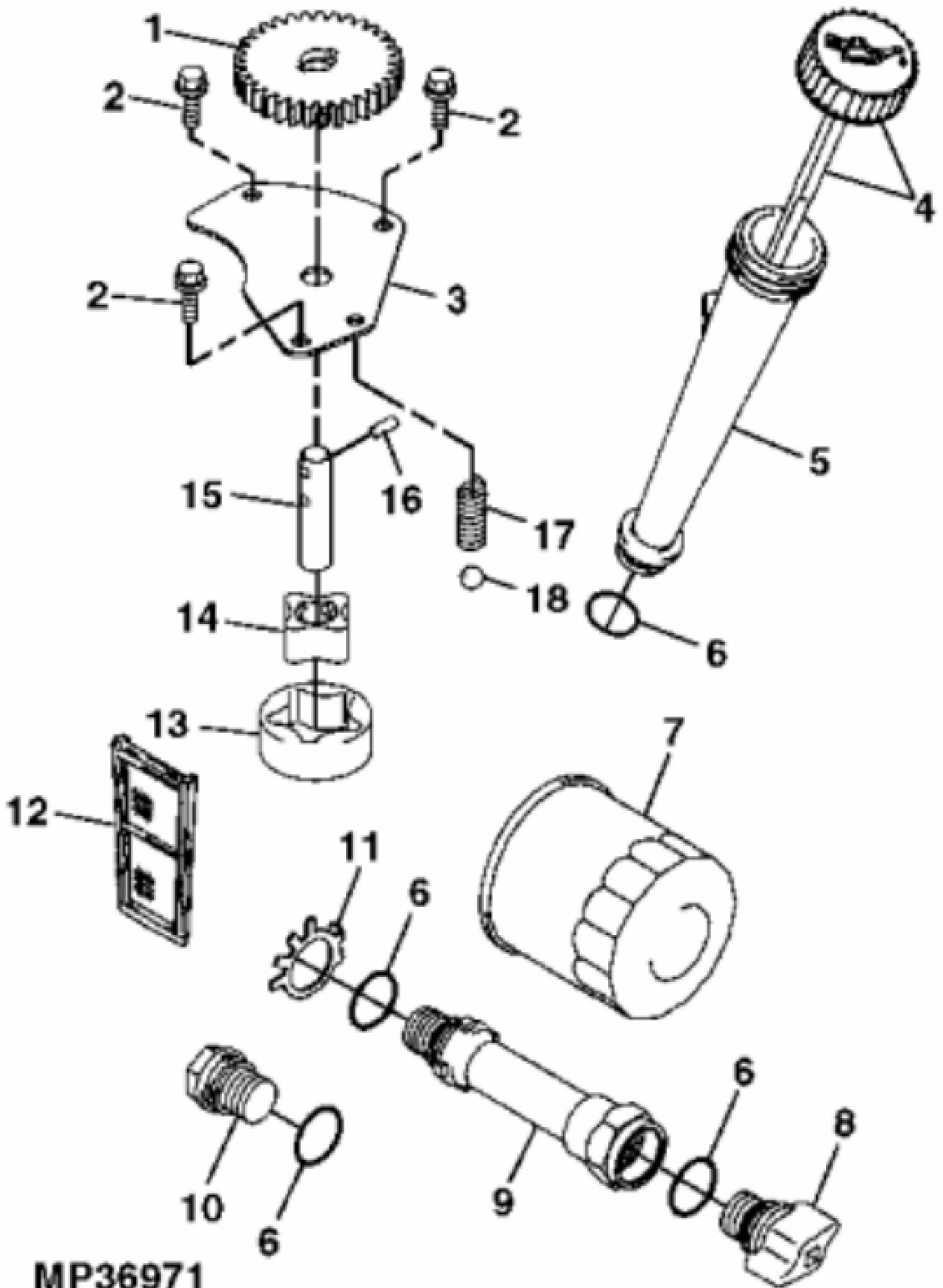
John Deere > Turf And Utility >TRACTOR, LAWN AND GARDEN >X300R - TRACTOR, LAWN AND GARDEN >X300R Select Series Tractor >20 ENGINE MM14828 >ST559168 - PISTON AND CRANKSHAFT
(040001 -)

KEY	PART NO.	PART NAME	QTY	REMARKS	
1	AM127861	PISTON RING KIT	2	STD	
1	AM128007	PISTON RING KIT	AR	.50 MM (.020") OS	
2	M138398	SNAP RING	4	(SUB FOR M140233)	
3	M138397	PISTON PIN	2		
4	MIU10966	PISTON	2	STD	
4	MIU10967	PISTON	AR	.50 MM (.020") OS	
5	MIA10585	CONNECTING ROD	2	STD	
5	MIU10968	CONNECTING ROD	AR	.50 MM (.020") US	
6	19M7796	SCREW	2	M6 X 30	
7	MIA10584	CRANKSHAFT	1		



MP19276

KEY	PART NO.	PART NAME	QTY	REMARKS
1	M138404	GUIDE	2	PUSH ROD
2	M76088	PUSH ROD	4	
3	M138403	TAPPET	4	
4	MIU10970	EXHAUST VALVE	2	
5	M138409	COMPRESSION SPRING	4	
6	M138401	RETAINER	4	
7	M146881	BOLT	4	
8	M118845	RETAINER	4	(2 HALVES EACH)
9	M138402	ROCKER ARM	4	
10	M92891	NUT	4	
11	M138410	SCREW	4	
12	MIU10969	INTAKE VALVE	2	
13	MIA10586	CAMSHAFT	1	
14	M138413	EXTENSION SPRING	1	
15	M140240	PLATE	1	
16	M140238	GUIDE	1	
17	MIU10971	BALL	6	
18	M138411	SNAP RING	2	NLA; ORDER MIU14000
18	MIU14000	SNAP RING	2	
19	M146880	PLATE	1	
20	MIU10708	SLEEVE	1	NLA; ORDER MIU13044
20	MIU13044	SLEEVE	1	
21	M138415	WASHER	1	



MP36971

Thank you so much for reading.
Please click the “Buy Now!”
button below to download the
complete manual.



After you pay.

You can download the most
perfect and complete manual in
the world immediately.

Our support email:

ebooklibonline@outlook.com