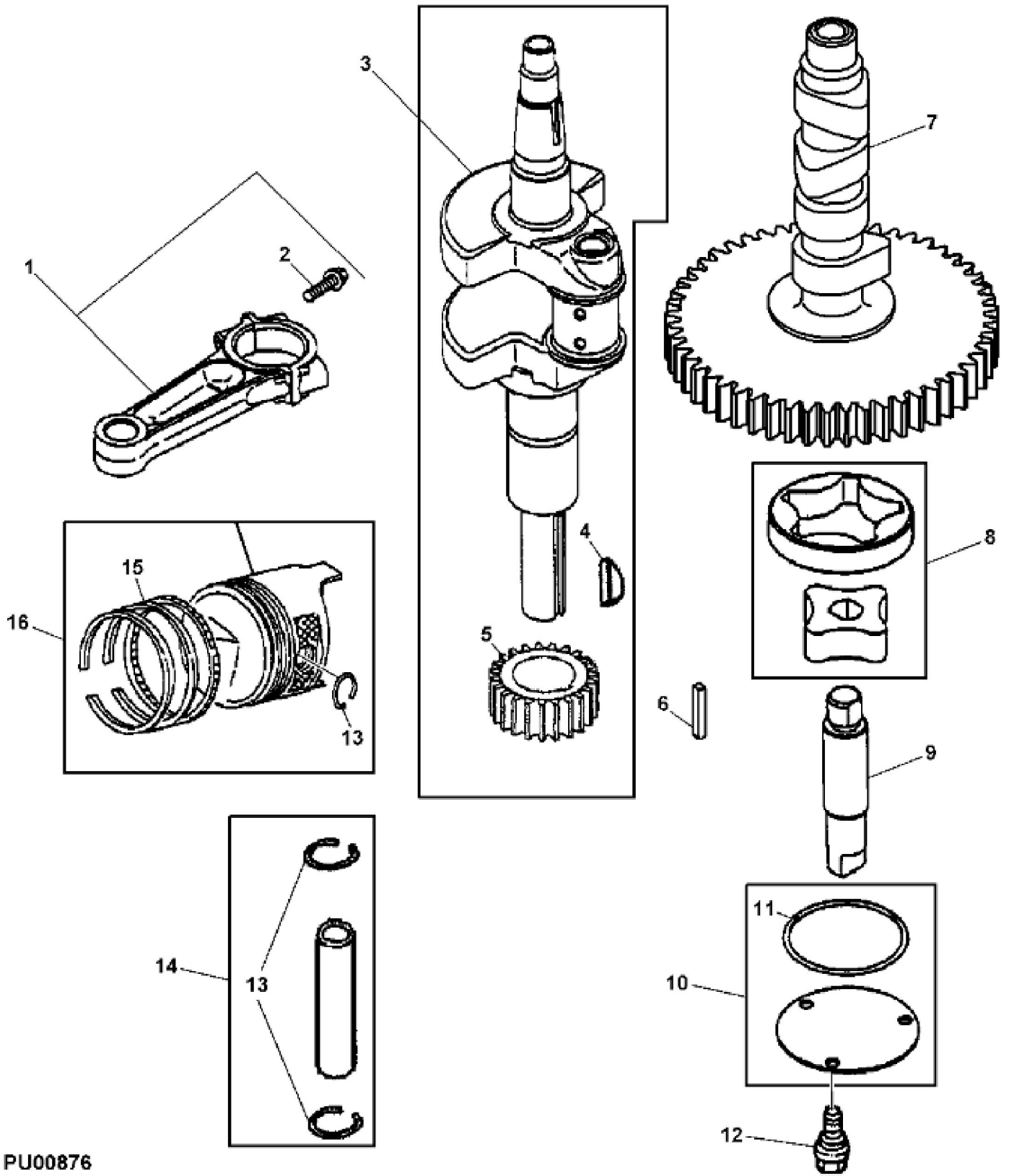


PU01597

John Deere > Turf And Utility >TRACTOR, LAWN AND GARDEN >LA130 - TRACTOR, LAWN AND GARDEN >LA130 Tractor (100 Series) with 48-Inch Mower Deck >20 ENGINE GU20566 >ST642291 - CYLINDER BLOCK AND DIPSTICK

| KEY | PART NO.  | PART NAME       | QTY | REMARKS   |
|-----|-----------|-----------------|-----|---|
| 1   | UC11104   | DIPSTICK        | 1   | SUB FOR LG499602                                    |
| 1   | MIU13965  | COVER           | 1   | (Not Illustrated) USE WITH MIA12443                 |
| 2   | LG691031  | O-RING          | 1   |   |
| 3   | LG691036  | DIPSTICK        | 1   |   |
| 4   | LG691032  | SEAL            | 1   |   |
| 5   | LG691037  | OIL TUBE        | 1   |   |
| 6   | LG691108  | SCREW           | 1   | 8 X 1/2, MARKED 441677-0113-E1                      |
| 6   | 37H74     | SCREW           | 1   |   |
| 6   | M153266   | SCREW           | 1   | MARKED 441677-0131-E1                               |
| 7   | LG391086S | SEAL            | 1   |   |
| 8   | MIA11778  | SEAL KIT        | 1   | (SUB FOR LG499585)                                  |
| 9   | LG690959  | DOWEL PIN       | 6   |   |
| 10  | MIA10607  | CYLINDER        | 1   | ; ORDER MIA11033                                    |
| 10  | MIA11033  | CYLINDER        | 1   | ORDER MIA12510                                      |
| 10  | MIA13076  | CYLINDER        | 1   | SUB FOR MIA12510                                    |
| 10  | MIA11345  | CYLINDER        | 1   | ORDER MIA12493; USE WITH MIA11020                   |
| 10  | MIA13087  | CYLINDER BLOCK  | 1   | SUB FOR APPL MIA12493                               |
| 11  | MIU14436  | GASKET          | 1   | SUB FOR M150226 AND MIU13979; Crankcase             |
| 12  | LG690770  | SCREEN          | 1   |   |
| 12  | MIU12140  | SCREEN          | 1   | (USE WITH MIA11584)                                 |
| 13  | LG691680  | DRAIN PLUG      | 1   |   |
| 13  | LG690946  | DRAIN PLUG      | 1   | NLA; ORDER 15H623 (USE WITH MIA11584)               |
| 13  | 15H623    | PIPE PLUG       | 1   | 3/8"  |
| 14  | LG690954  | THREADED NIPPLE | 1   |   |
| 15  | 15H638    | PIPE PLUG       | 1   | 1/8"  |
| 16  | MIU11958  | SEAL            | 1   | (SUB FOR MIU11212)                                  |
| 17  | MIU11284  | SEAL            | 1   | GOVERNOR SHAFT                                      |
| 18  | M142281   | BUSHING         | 1   | GOVERNOR CRANK                                      |
| 19  | AM134054  | RESERVOIR       | 1   | NLA (SUB MIA11584)                                  |
| 19  | MIA11584  | RESERVOIR       | 1   | (ALSO INCLUDES MIU12143, MIA11464 AND (3) MIU12142) |
| 20  | AM125424  | OIL FILTER      | 1   |   |
| 21  | LG690957  | RETAINER        | 1   |   |
| 22  | MIU11502  | BREATHER        | 1   | (SUB FOR LG690956)                                  |
| 23  | LG691108  | SCREW           | 3   | 8 X 1/2   |

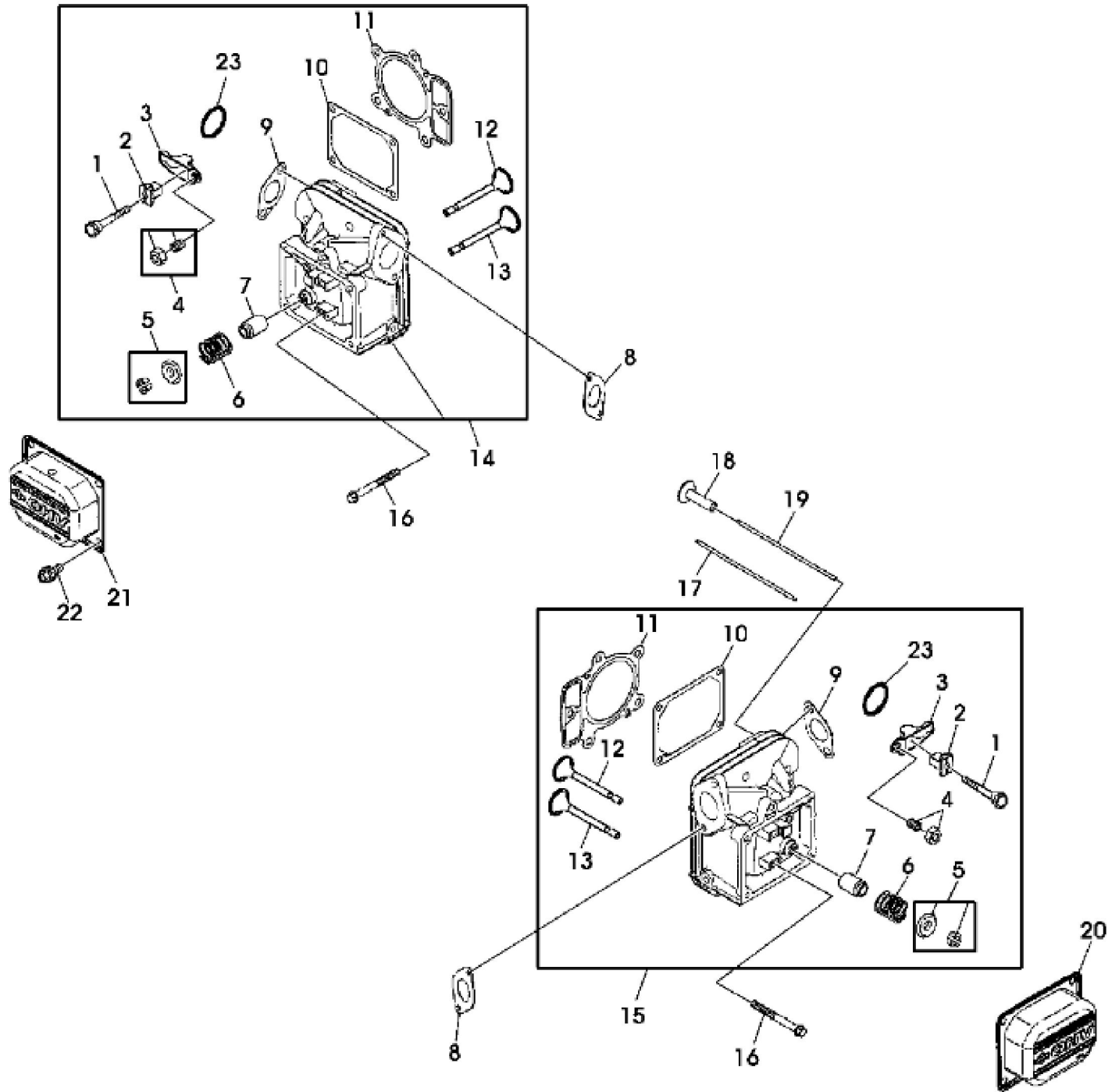
| KEY | PART NO. | PART NAME       | QTY | REMARKS   |
|-----|----------|-----------------|-----|---|
| 24  | MIU14443 | TUBE            | 1   | SUB FOR MIU11280  |
| 25  | LG690937 | GASKET          | 1   |   |
| 26  | MIA10872 | BREATHER        | 1   |   |
| 27  | M142896  | SCREW           | 10  |   |
| 28  | LG691045 | CRANK           | 1   | GOVERNOR  |
| 29  | M142282  | BUSHING         | 2   |   |
| 30  | M142286  | RETAINER        | 2   |   |
| 31  | M142280  | WASHER          | 1   |   |
| 32  | GC00331  | SCREW           | 4   | NLA; ORDER GX24210; Engine Mounting                               |
| 32  | GX24210  | SCREW           | 4   |   |
| 33  | AM131611 | DRAIN PLUG      | 1   | OIL DRAIN   |
| 34  | .....    | TUBE            | 1   |   |
| 35  | T77932   | O-RING          | 1   |   |
| 36  | M144897  | CAP             | 1   |   |
| 37  | LG692125 | CAP SCREW       | 1   | (A); USE WITH MIA11584  |
| 38  | MIA10807 | GASOLINE ENGINE | 1   | (A); (MARKED 441677-0113-E1)                                      |
| 38  | MIA11020 | GASOLINE ENGINE | 1   | (A); MARKED 441677-0131-E1; NLA; ORDER MIA12443; SUB FOR MIA10832 |
| 38  | MIA12443 | GASOLINE ENGINE | 1   | (A); NLA; ORDER MIA12623; MARKED 441677-0131-E1                   |
| 38  | MIA12623 | GASOLINE ENGINE | 1   | (A); MARKED 44R677-0001-G1  |



PU00876

## CRANKSHAFT AND PISTON

| KEY | PART NO.  | PART NAME       | QTY | REMARKS   |
|-----|-----------|-----------------|-----|---|
| 1   | MIA11459  | CONNECTING ROD  | 2   | (SUB FOR AM135101)                                  |
| 2   | LG690976  | SCREW           | 2   |   |
| 3   | AM135083  | CRANKSHAFT      | 1   | (SUB MIA11457)                                      |
| 3   | MIA11457  | CRANKSHAFT      | 1   | (INCLUDES LG690980)                                 |
| 4   | 26H67     | SHAFT KEY       | 1   | 1/8" X 3/8", (SUB FOR 26H4)                         |
| 5   | LG690980  | GEAR            | 1   | TIMING  |
| 6   | LG222698S | SHAFT KEY       | 1   | FLYWHEEL  |
| 7   | MIA10916  | CAMSHAFT        | 1   | CAM (INCLUDES (4) LG690977)                         |
| 8   | LG499054  | OIL PUMP        | 1   | (SUB MIA11172)                                      |
| 8   | MIA11172  | OIL PUMP        | 1   | (USE WITH MIA11020)                                 |
| 8   | MIU12143  | OIL PUMP        | 1   | (USE WITH MIA11584)                                 |
| 9   | LG691042  | SHAFT           | 1   | NLA; ORDER MIA11172                                 |
| 9   | MIA11172  | OIL PUMP        | 1   |   |
| 10  | LG499613  | COVER           | 1   |   |
| 10  | MIA11464  | COVER           | 1   | (USE WITH MIA11584)                                 |
| 11  | LG690589  | SEAL            | 1   |   |
| 11  | MIU12153  | SEAL            | 1   | (USE WITH MIA11584)                                 |
| 12  | M151228   | SCREW           | 3   |   |
| 12  | MIU12142  | SCREW           | 3   | (USE WITH MIU12143)                                 |
| 13  | LG690975  | LOCK            | 2   |   |
| 14  | LG690229  | PISTON PIN      | 2   |   |
| 15  | MIU11282  | PISTON RING KIT | 1   | STD   |
| 15  | MIU11283  | PISTON RING KIT | 1   | .020" OS  |
| 15  | MIU12013  | PISTON RING KIT | 4   | STD (USE WITH MIA11020)                             |
| 16  | MIA10877  | PISTON          | 2   | STD   |
| 16  | MIA10878  | PISTON          | 2   | .020" OS  |
| 16  | MIA11102  | PISTON          | 1   | (.020" OS), (USE WITH MIA11020) (INCLUDES LG690975) |
| 16  | MIA11346  | PISTON          | 2   | STD (USE WITH MIA11020) (INCLUDES (4) LG690975)     |



PU01284

Thank you so much for reading.  
Please click the “Buy Now!”  
button below to download the  
complete manual.



After you pay.

You can download the most  
perfect and complete manual in  
the world immediately.

Our support email:

[ebooklibonline@outlook.com](mailto:ebooklibonline@outlook.com)