

PU01597

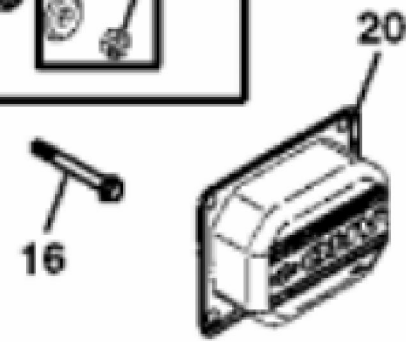
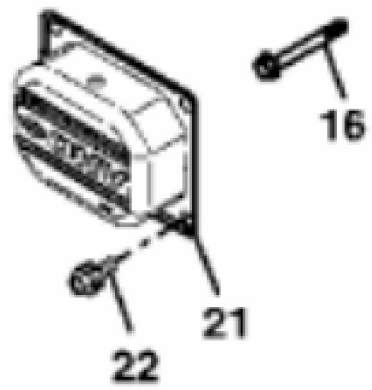
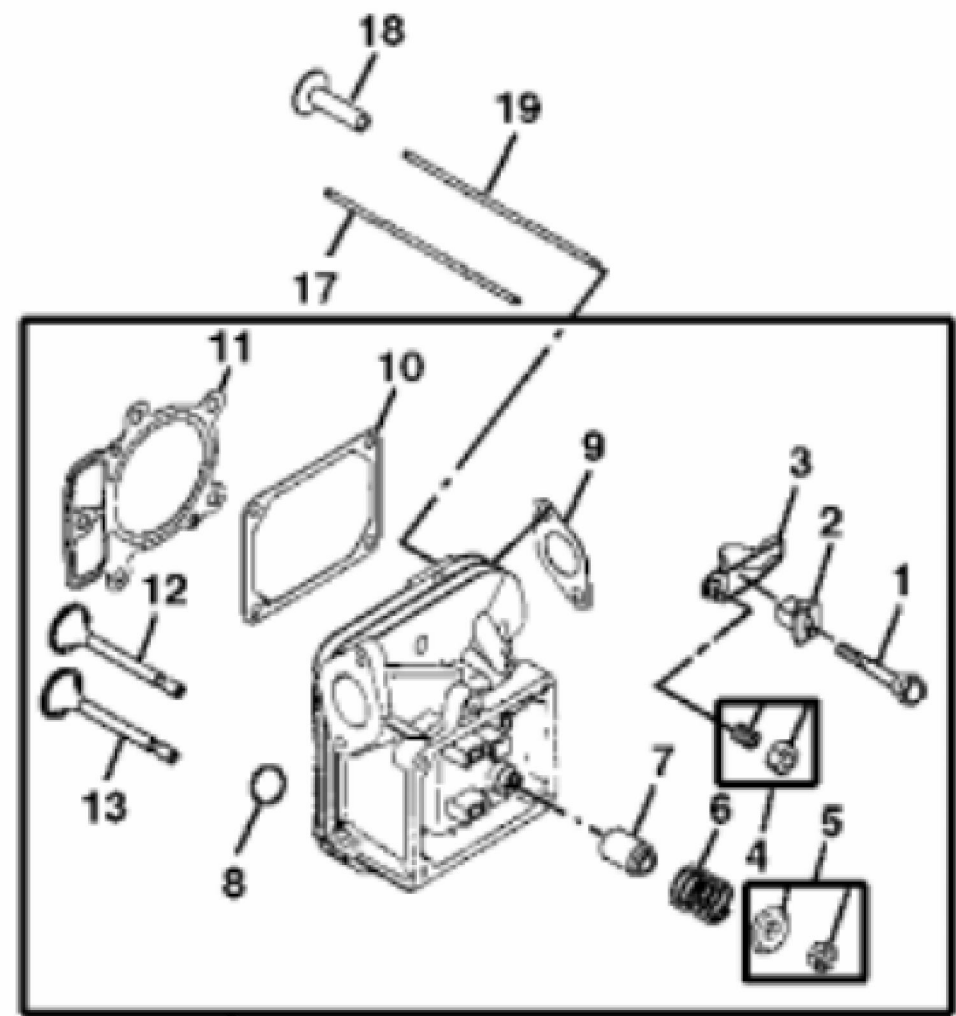
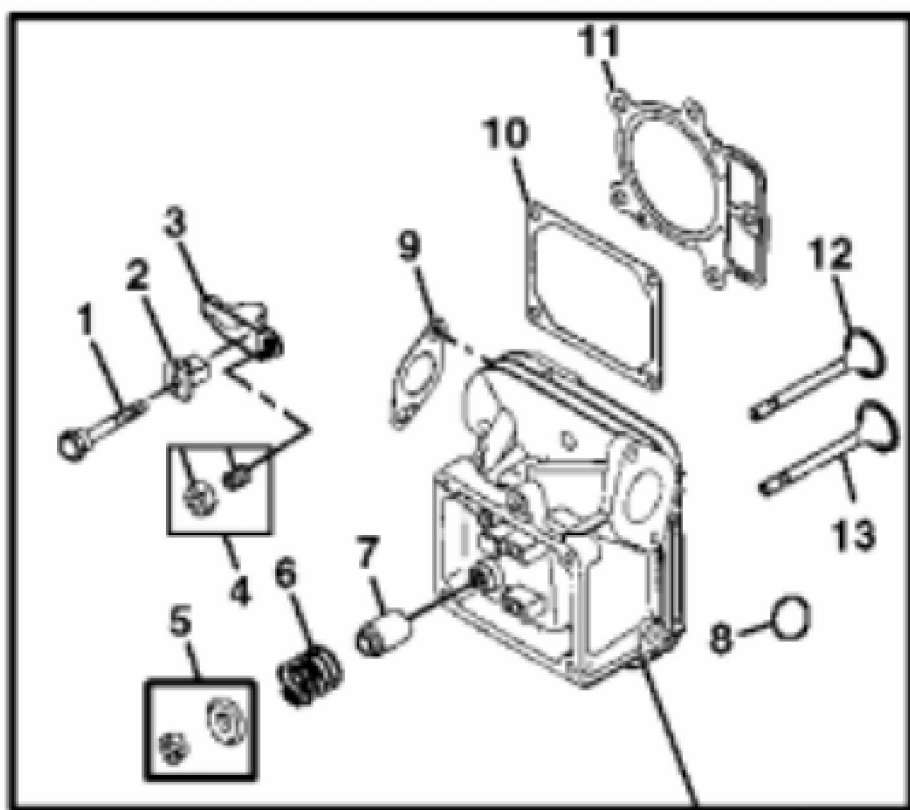
John Deere > Turf And Utility >TRACTOR, LAWN AND GARDEN >LA140 - TRACTOR, LAWN AND GARDEN >LA140 Tractor (100 Series) with 48-Inch Mower Deck >20 ENGINE GU20568 >ST642393 - CYLINDER BLOCK AND DIPSTICK

| KEY | PART NO. | PART NAME | QTY | Serial No. | REMARKS |
|-----|-----------|-----------------|-----|------------|---|
| 1 | UC11104 | DIPSTICK | 1 | | SUB FOR LG499602 |
| 2 | LG691031 | O-RING | 1 | | |
| 3 | LG691036 | DIPSTICK | 1 | | |
| 4 | LG691032 | SEAL | 1 | | |
| 5 | LG691037 | OIL TUBE | 1 | | |
| 6 | LG691108 | SCREW | 1 | | MARKED 445577-0121-E1 |
| 6 | 37H74 | SCREW | 1 | | |
| 6 | M153266 | SCREW | 1 | | MARKED 445577-0110-E1 |
| 7 | LG391086S | SEAL | 1 | | |
| 8 | MIA11778 | SEAL KIT | 1 | | (SUB FOR LG499585) |
| 9 | LG690959 | DOWEL PIN | 6 | | |
| 10 | MIA10607 | CYLINDER | 1 | | NLA; ORDER MIA11033 |
| 10 | MIA11033 | CYLINDER | 1 | | NLA; ORDER MIA12510 |
| 10 | MIA13076 | CYLINDER | 1 | | SUB FOR MIA12510 |
| 11 | MIU14436 | GASKET | 1 | | SUB FOR M150226 AND MIU13979 |
| 12 | LG690770 | SCREEN | 1 | | |
| 12 | MIU12140 | SCREEN | 1 | | (USE WITH MIA11584) |
| 13 | LG690946 | DRAIN PLUG | 1 | | NLA; ORDER 15H623 (USE WITH MIA11584) |
| 13 | 15H623 | PIPE PLUG | 1 | | 3/8" |
| 14 | LG690954 | THREADED NIPPLE | 1 | | |
| 15 | 15H638 | PIPE PLUG | 1 | | 1/8" |
| 16 | MIU11958 | SEAL | 1 | | (SUB FOR MIU11212) |
| 17 | MIU11284 | SEAL | 1 | | Governor Shaft |
| 17 | M142284 | SEAL | 1 | | NLA; ORDER MIU11284 |
| 18 | M142281 | BUSHING | 1 | | GOVERNOR CRANK |
| 19 | AM134054 | RESERVOIR | 1 | | NLA (SUB MIA11584) |
| 19 | MIA11584 | RESERVOIR | 1 | | (ALSO INCLUDES MIU12143, MIA11464 AND (3) MIU12142) |
| 20 | GY20577 | OIL FILTER | 1 | | NLA, KIT (W/ PACKAGING) |
| 20 | AM125424 | OIL FILTER | 1 | | |
| 21 | LG690957 | RETAINER | 1 | | |
| 22 | MIU11502 | BREATHER | 1 | | (SUB FOR LG690956) |
| 23 | LG691108 | SCREW | 3 | | |
| 24 | MIU14443 | TUBE | 1 | | SUB FOR MIU11280 |

| KEY | PART NO. | PART NAME | QTY | Serial No. | REMARKS |
|-----|----------|-----------------|-----|-------------|--|
| 25 | LG690937 | GASKET | 1 | | |
| 26 | MIA10872 | BREATHER | 1 | | |
| 27 | M142896 | SCREW | 10 | | |
| 28 | LG691045 | CRANK | 1 | | GOVERNOR |
| 29 | M142282 | BUSHING | 2 | | |
| 30 | M142286 | RETAINER | 1 | | |
| 31 | M142280 | WASHER | 1 | | |
| 32 | GC00331 | SCREW | 4 | | NLA; ORDER GX24210; Engine Mounting |
| 32 | GX24210 | SCREW | 4 | | |
| 33 | AM131611 | DRAIN PLUG | 1 | | OIL DRAIN |
| 34 | | TUBE | 1 | | |
| 35 | T77932 | O-RING | 1 | | |
| 36 | M144897 | CAP | 1 | | |
| .. | | GASOLINE ENGINE | 1 | ____-017759 | (MARKED 445577-0121-E1) (SUB MIA10808) |
| .. | MIA10808 | GASOLINE ENGINE | 1 | | NLA; ORDER MIA12234 |
| .. | MIA12234 | GASOLINE ENGINE | 1 | | NLA; MARKED 445577-0110-E1; ORDER MIA12444 |
| .. | MIA12444 | GASOLINE ENGINE | 1 | | |

CRANKSHAFT AND PISTON

| KEY | PART NO. | PART NAME | QTY | REMARKS |
|-----|-----------|-----------------|-----|-------------------------|
| 1 | MIA11459 | CONNECTING ROD | 2 | (SUB FOR AM135101) |
| 2 | LG690976 | SCREW | 2 | |
| 3 | AM135083 | CRANKSHAFT | 1 | (SUB MIA11457) |
| 3 | MIA11457 | CRANKSHAFT | 1 | (INCLUDES LG690980) |
| 4 | 26H4 | SHAFT KEY | 1 | 1/8" X 3/8" |
| 5 | LG690980 | GEAR | 1 | TIMING |
| 6 | LG222698S | SHAFT KEY | 1 | FLYWHEEL |
| 7 | M151221 | CAMSHAFT | 1 | (INCLUDES (4) LG690977) |
| 7 | MIA11789 | CAMSHAFT | 1 | USE WITH MIA12234 |
| 8 | MIA11172 | OIL PUMP | 1 | (SUB FOR LG499054) |
| 8 | MIU12143 | OIL PUMP | 1 | (USE WITH MIA11584) |
| 9 | LG691042 | SHAFT | 1 | NLA; ORDER MIA11172 |
| 9 | MIA11172 | OIL PUMP | 1 | |
| 10 | LG499613 | COVER | 1 | |
| 10 | MIA11464 | COVER | 1 | (USE WITH MIA11584) |
| 11 | LG690589 | SEAL | 1 | |
| 11 | MIU12153 | SEAL | 1 | (USE WITH MIA11584) |
| 12 | M151228 | SCREW | 3 | |
| 12 | MIU12142 | SCREW | 3 | (USE WITH MIU12143) |
| 13 | LG690975 | LOCK | 2 | |
| 14 | LG690229 | PISTON PIN | 2 | |
| 15 | MIU11282 | PISTON RING KIT | 1 | STD |
| 15 | MIU11283 | PISTON RING KIT | 1 | .020" (.50 MM) OS |
| 16 | MIA10877 | PISTON | 2 | STD |
| 16 | MIA10878 | PISTON | 2 | .020" (.50 MM) OS |
| 16 | MIA10996 | PISTON | 1 | USE WITH MIA12234 |



MP38610

Thank you so much for reading.
Please click the “Buy Now!”
button below to download the
complete manual.



After you pay.

You can download the most
perfect and complete manual in
the world immediately.

Our support email:

ebooklibonline@outlook.com