

PU01597

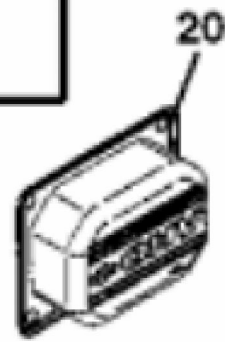
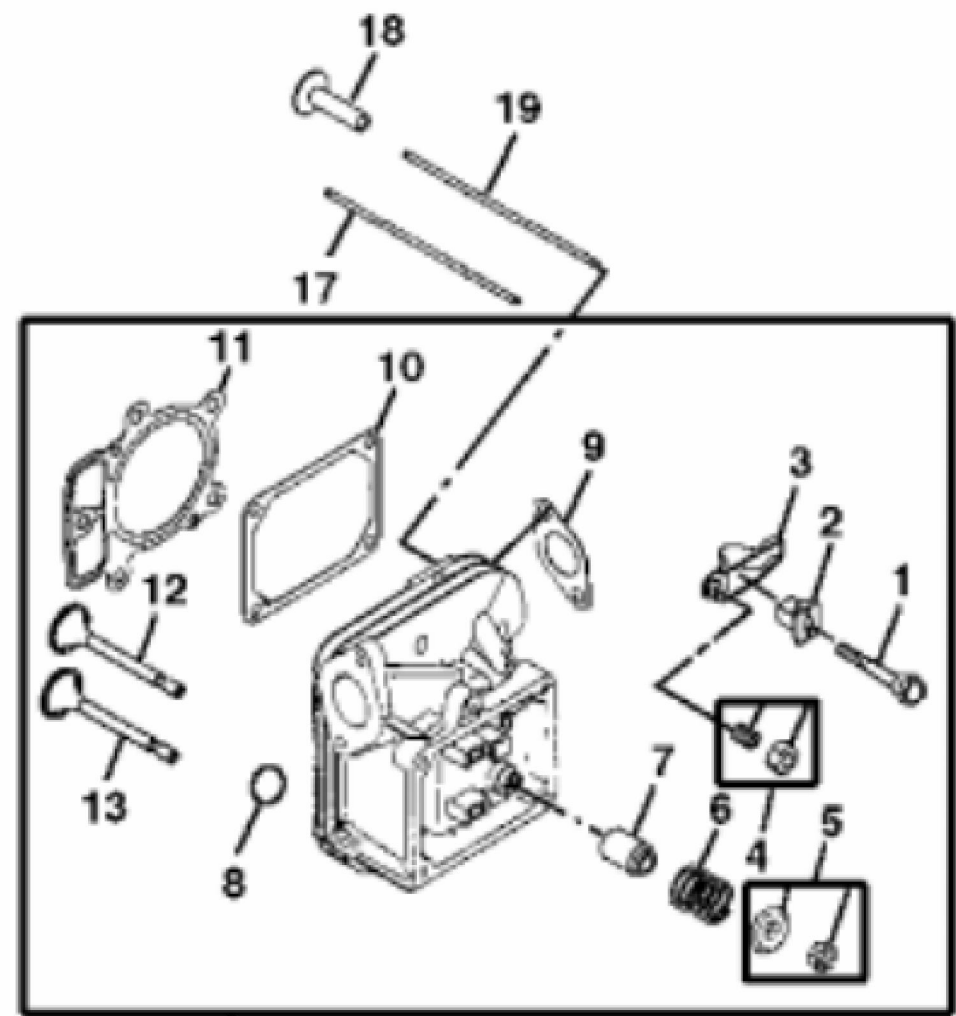
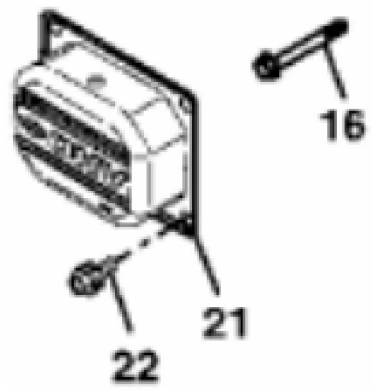
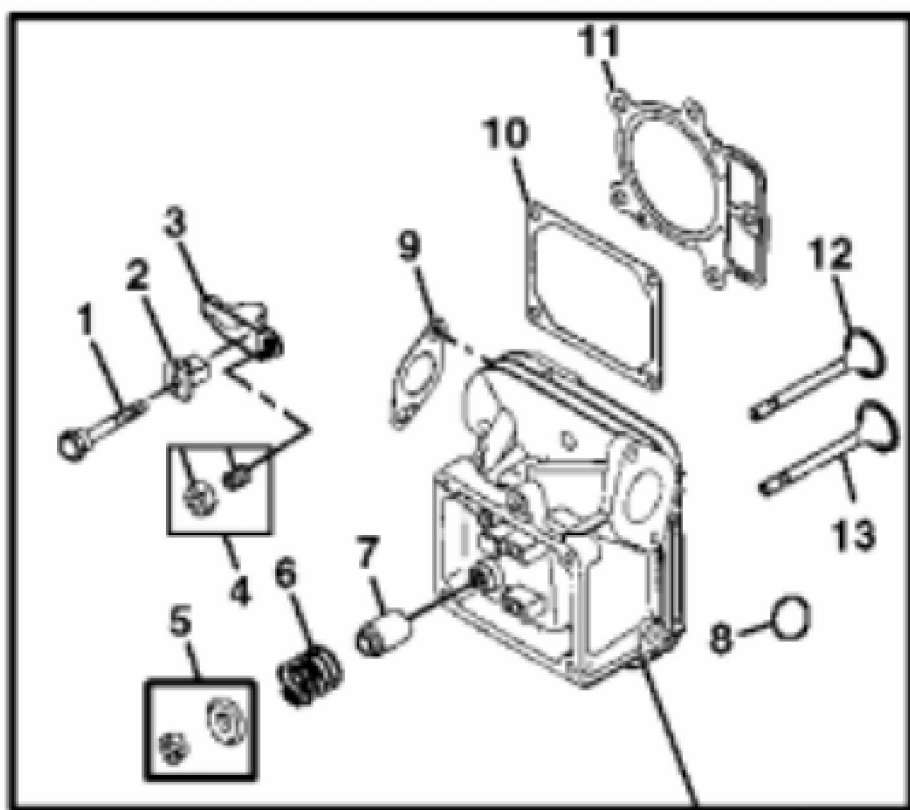
KEY	PART NO.	PART NAME	QTY	REMARKS
1	UC11104	DIPSTICK	1	SUB FOR LG499602
2	LG691031	O-RING	1	
3	LG691036	DIPSTICK	1	
4	LG691032	SEAL	1	
5	LG691037	OIL TUBE	1	
6	LG691108	SCREW	1	MARKED 445877-0130-E1
6	37H74	SCREW	1	
7	LG391086S	SEAL	1	
8	MIA11778	SEAL KIT	1	(SUB FOR LG499585)
9	LG690959	DOWEL PIN	6	
10	MIA11033	CYLINDER BLOCK	1	NLA; ORDER MIA12510
10	MIA13076	CYLINDER	1	SUB FOR MIA12510
11	MIU14436	GASKET	1	SUB FOR M150226 AND MIU13979
12	LG690770	SCREEN	1	
12	MIU12140	SCREEN	1	(USE WITH MIA11584)
13	LG690946	DRAIN PLUG	1	NLA; ORDER 15H623 (USE WITH MIA11584)
13	15H623	PIPE PLUG	1	3/8"
14	LG690954	THREADED NIPPLE	1	
15	15H638	PIPE PLUG	1	1/8"
16	MIU11958	SEAL	1	(SUB FOR MIU11212)
17	MIU11284	SEAL	1	Governor Shaft
18	M142281	BUSHING	1	NLA; ORDER MIU12503; Governor Crank
18	MIU12503	BUSHING	1	
19	AM134054	RESERVOIR	1	NLA (SUB MIA11584)
19	MIA11584	RESERVOIR	1	(ALSO INCLUDES MIU12143, MIA11464 AND (3) MIU12142)
20	GY20577	OIL FILTER	1	NLA, Kit (W/Packaging); ORDER AM125424
20	AM125424	OIL FILTER	1	Engine
21	LG690957	RETAINER	1	
22	MIU11502	BREATHER	1	(SUB FOR LG690956)
23	LG691108	SCREW	3	
24	MIU14443	TUBE	1	SUB FOR MIU11280
25	LG690937	GASKET	1	
26	MIA10872	BREATHER	1	
27	M142896	SCREW	10	

KEY	PART NO.	PART NAME	QTY	REMARKS
28	LG691045	CRANK	1	Governor
29	M142282	BUSHING	2	
30	M142286	RETAINER	1	
31	M142280	WASHER	1	
32	GC00331	SCREW	4	NLA; ORDER GX24210; Engine Mounting
32	GX24210	SCREW	4	
33	AM131611	DRAIN PLUG	1	Oil Drain
34	.....	TUBE	1	
35	T77932	O-RING	1	
36	M144897	CAP	1	
..	MIA10809	GASOLINE ENGINE	1	MARKED 445877-0130-E1
..	MIA12447	GASOLINE ENGINE	1	SUB FOR MIA10809



## CRANKSHAFT AND PISTON

KEY	PART NO.	PART NAME	QTY	REMARKS
1	MIA11459	CONNECTING ROD	2	(SUB FOR AM135101)
2	LG690976	SCREW	2	
3	AM135083	CRANKSHAFT	1	(SUB MIA11457)
3	MIA11457	CRANKSHAFT	1	(INCLUDES LG690980)
4	26H4	SHAFT KEY	1	1/8" X 3/8"
5	LG690980	GEAR	1	TIMING
6	LG222698S	SHAFT KEY	1	FLYWHEEL
7	MIA11038	CAMSHAFT	1	USE WITH MIA10809; (INCLUDES (4) LG690977)
7	MIA11792	CAMSHAFT	1	USE WITH MIA12237
8	MIA11172	OIL PUMP	1	(SUB FOR LG499054)
8	MIU12143	OIL PUMP	1	(USE WITH MIA11584)
9	LG691042	SHAFT	1	NLA; ORDER MIA11172
9	MIA11172	OIL PUMP	1	
10	LG499613	COVER	1	
10	MIA11464	COVER	1	(USE WITH MIA11584)
11	LG690589	SEAL	1	
11	MIU12153	SEAL	1	(USE WITH MIA11584)
12	M151228	SCREW	3	
12	MIU12142	SCREW	3	(USE WITH MIU12143)
13	LG690975	LOCK	2	
14	LG690229	PISTON PIN	2	
15	MIU11282	PISTON RING KIT	1	SUB FOR MIU11453; STD
15	MIU11283	PISTON RING KIT	1	.020" (.50 MM) OS
16	MIA11036	PISTON	2	STD
16	MIA11037	PISTON	2	.020" (.50 MM) OS



MP38610

Thank you so much for reading.  
Please click the “Buy Now!”  
button below to download the  
complete manual.



After you pay.

You can download the most  
perfect and complete manual in  
the world immediately.

Our support email:

[ebooklibonline@outlook.com](mailto:ebooklibonline@outlook.com)