

- CRANKCASE

KEY	PART NO.	PART NAME	QTY	REMARKS
1	M147493	SCREEN	1	MARKED 31P677-0131-B1, ORDER MIU11503
2	M152566	SCREW	4	MARKED 31P677-0131-B1, Engine
3	MIU12152	SCREW	2	MARKED 31P677-0131-B1; SUB FOR LG690372; Engine
4	MIU11503	FAN	1	MARKED 31P677-0131-B1; SUB FOR M152561; SUB MIA11519
5	LG690946	DRAIN PLUG	1	ORDER 15H623 ; MARKED 31P677-0143-B1
5	15H623	PIPE PLUG	1	3/8", USE WITH MIA11631
6	M153303	SCREW	1	
7	AM135134	FLYWHEEL	1	
7	MIA12501	FLYWHEEL	1	MARKED 31P677-0157-B2 AND 31R977-0005-B1
8	LG691265	SNAP RING	1	
9	LG693713	PINION	1	Starter
10	M147508	SCREW	2	
11	MIU11682	TUBE	1	MARKED 31P677-0131-B1; SUB FOR M147499; Breather
12	M147500	COVER	1	ORDER MIU11631
12	MIU11631	COVER	1	USE WITH MIA11016 AND MIA11631
13	M147564	GASKET	1	MARKED 31P677-0131-B1
13	.....	GASKET	1	MARKED 31P677-0133-B1; Make From M64850
14	M147507	SCREW	2	
15	M147501	BREATHER	1	Reed
16	MIA11419	CYLINDER BLOCK	1	SUB FOR MIA11101 Or AM132374
17	LG399265	BEARING	1	ORDER MIA11778; Bushing W/Seal
17	MIA11778	SEAL KIT	1	Bushing W/Seal
18	LG391086S	SEAL	1	Magneto Side
19	LG690959	DOWEL PIN	2	
20	M147497	BUSHING	1	Governor
21	LG692407	SEAL	1	Governor
22	.....	OIL TUBE	1	
23	T77932	O-RING	1	
24	M144897	CAP	1	
25	AM131611	TUBE	1	Oil Drain
26	AM135143	RESERVOIR	1	ORDER MIA12717; SUB FOR MIA11429
26	MIA12717	RESERVOIR	1	
27	MIA10696	BALL	1	

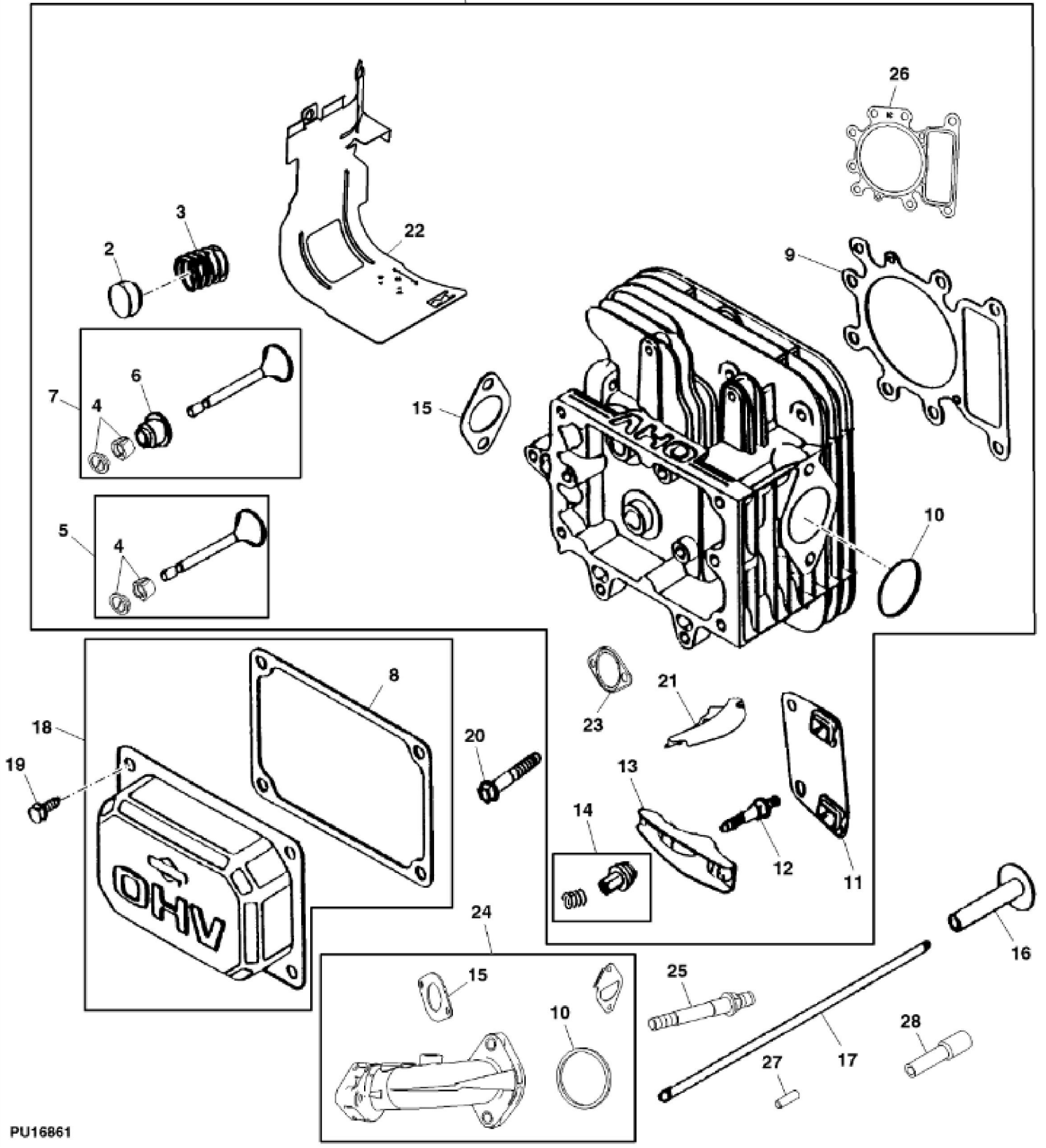
KEY	PART NO.	PART NAME	QTY	REMARKS
28	MIU12709	SCREEN	1	SUB FOR LG690770
29	M147513	GASKET	1	
30	MIU11958	SEAL	1	SUB FOR MIU11212; PTO Side
31	15H638	PIPE PLUG	1	1/8"
32	AM125424	OIL FILTER	1	MARKED 31P677-0244-B1
33	LG692125	CAP SCREW	10	
34	GC00331	BOLT	4	ORDER GX24210; Engine Mounting
34	GX24210	SCREW	4	
35	MIU11635	PLUG	1	(A) MARKED 31P677-0133-B1
36	MIA13017	SCREEN KIT	1	(A) INCLUDES MIU11635; USE WITH MIA11016 AND MIA11631; SUB FOR MIU11634AND MIA11525
37	MIU11638	SCREW	2	(A), MARKED 31P677-0133-B1
38	MIU12139	FAN	1	(A), MARKED 31P677-0133-B1; SUB FOR MIU11637; Flywheel
38	MIU12159	FAN	1	MARKED 31P677-0143-B1
39	PM37469	LTIQUID GASKET	AR	
40	MIU14227	SHIELD	1	USE WITH MIA12853; Cylinder
41	MIA11422	ARMATURE	1	USE WITH MIA12853; SUB FOR MIA12716
42	M144331	ELEC. CONNECTOR TERMINAL	1	USE WITH MIA12853
43	LG691693	BOLT	2	USE WITH MIA12853
44	MIU14366	SCREW	1	USE WITH MIA12853
..	MIA11519	FLYWHEEL KIT	1	Includes Parts Marked (A)
..	MIA10939	GASOLINE ENGINE	1	MARKED 31P677-0131-B1; ORDER MIA11631
..	MIA11016	GASOLINE ENGINE	1	MARKED 31P677-0133-B1; ORDER MIA11631
..	AM134602	SHORT BLOCK ASSEMBLY	1	ORDER MIA11631
..	MIA11413	GASOLINE ENGINE	1	ORDER MIA11631
..	MIA11631	GASOLINE ENGINE	1	MARKED 31P677-0120-B1
..	MIA12853	GASOLINE ENGINE	1	MARKED 31R877-0021-B1



John Deere > Turf And Utility >TRACTOR, LAWN AND GARDEN >X120 - TRACTOR, LAWN AND GARDEN >X120 Tractor (100 Series) with 42-Inch Mower Deck >20 ENGINE GU20647, GU20828 >ST201333  
 - CRANKSHAFT, PISTON AND DIPSTICK

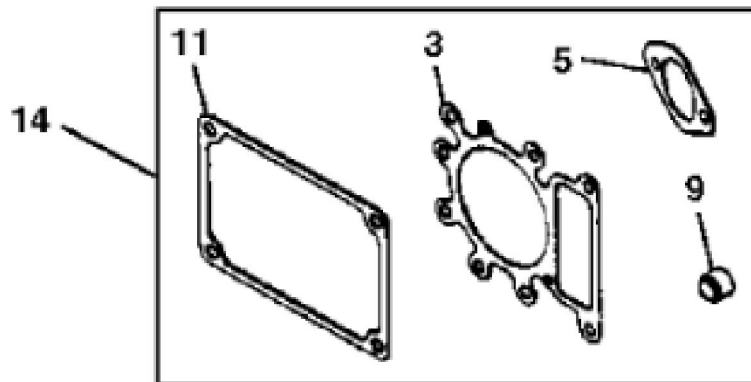
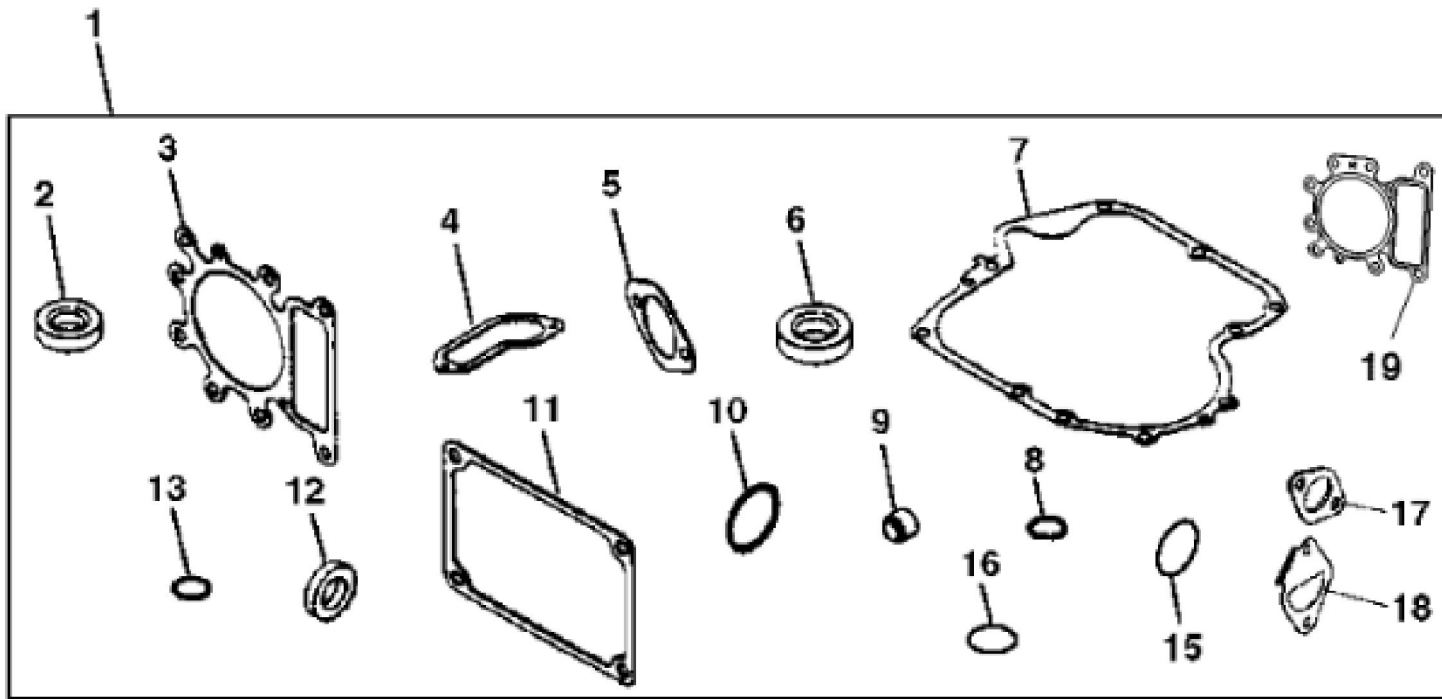
KEY	PART NO.	PART NAME	QTY	REMARKS
1	AM135145	DIPSTICK	1	
2	LG691031	O-RING	1	
3	LG691032	SEAL	1	
4	M152554	DIPSTICK TUBE	1	
5	AM135144	DIPSTICK TUBE	1	
6	MIU11051	SCREW	2	
7	MIA11126	CONNECTING ROD	1	(SUB FOR MIA10693)
8	MIU11437	PLUG	1	
9	MIU11436	LINK	2	
10	M152556	PIN	2	
11	MIA10989	COUNTERWEIGHT	1	
12	MIA11377	CAMSHAFT	1	(SUB FOR MIA10695 OR MIA11157)
13	LG690564	TAPPET	2	
14	LG691968	GOVERNOR	1	
15	M147512	GEAR	1	TIMING
16	LG691639	SHAFT KEY	1	
17	MIA10982	CRANKSHAFT	1	
17	MIA12499	CRANKSHAFT	1	USE WITH MIA12438 AND MIA12612
18	LG222698S	SHAFT KEY	1	Fly Wheel
18	MIU13972	KEY	1	USE WITH MIA12438 AND MIA12612; Fly Wheel
19	M152553	LOCK	2	
20	MIA10691	PISTON RING KIT	1	STD.
20	MIU11639	PISTON RING KIT	1	.50 MM (.020") , OS
21	MIA11421	PISTON	1	(SUB FOR MIA10690)
21	MIA11430	PISTON	1	(SUB FOR MIA10918)
22	AM132347	PISTON PIN	1	
22	MIA11423	PISTON PIN	1	(USE WITH MIA11413 AND MIA11631)
23	LG499054	OIL PUMP	1	(ENGINE MARKED 31P677-0131-B1) (SUB MIA11172)
24	LG499613	COVER	1	
25	LG690589	SEAL	1	
26	MIU11119	SCREW	3	
27	M148242	SHAFT	1	(NLA) (SUB MIA11172)
28	MIA11172	OIL PUMP	1	(ENGINE MARKED 31P677-0133-B1)

1



## - CYLINDER HEAD

KEY	PART NO.	PART NAME	QTY	REMARKS
1	MIA11468	CYLINDER HEAD	1	SUB FOR MIA11079 OR MIA11420 OR MIA10917
2	LG691843	CAP	2	
3	LG691279	SPRING	2	
4	LG499586	RETAINER	2	
5	MIA11214	EXHAUST VALVE	1	SUB FOR MIA10688
6	LG690968	SEAL	1	
7	MIA10689	INTAKE VALVE	1	
8	LG272475S	GASKET	1	
8	.....	GASKET	1	ENGINE MARKED 31P677-0133-B1; MAKE FROM M64850
9	MIU11490	ENGINE CYLINDER HEAD GASKET	1	SUB FOR M150400
10	LG692138	O-RING	1	
11	LG690822	GUIDE	1	
12	LG691095	STUD	2	
13	LG691751	ROCKER ARM	2	
14	LG691986	ADJUSTER	2	
15	M144311	GASKET	1	Intake
16	LG690564	TAPPET	2	
17	LG692003	PUSH ROD	1	Intake
17	LG692011	PUSH ROD	1	Exhaust
18	MIU12708	COVER	1	INCLUDES LG272475S; SUB FOR MIU11055}
19	LG691108	SCREW	4	
19	37H74	SCREW	4	USE WITH MIA11413 AND MIA11631
20	LG690360	BOLT	8	ENGINE MARKED 31P677-0131-B1
20	MIU14366	SCREW	8	SUB FOR MIU11632
21	M152565	GUARD	1	USE WITH MIA11079; Fly Wheel
22	MIU11713	SHIELD	1	Cylinder
22	MIU14227	SHIELD	1	MARKED 31R977-0005-B1
23	LG692236	GASKET	1	Exhaust
24	MIA12715	MANIFOLD KIT	1	USE WITH MIA12853; Intake
25	MIU13916	STUD	2	USE WITH MIA12853
26	MIU12707	GASKET	1	USE WITH MIA12853; Cylinder Head
27	LG690959	DOWEL PIN	2	USE WITH MIA12853; Dowel
28	LG691909	BOOT	1	USE WITH MIA12853; Spark Plug



PU16797

Thank you so much for reading.  
Please click the “Buy Now!”  
button below to download the  
complete manual.



After you pay.

You can download the most  
perfect and complete manual in  
the world immediately.

Our support email:

[ebooklibonline@outlook.com](mailto:ebooklibonline@outlook.com)